

# Enhanced InTrac™ Series – When process safety is crucial!

## Technical data



InTrac 777 e

### Short description

InTrac retractable housings from METTLER TOLEDO with TRI-LOCK™ safety system enable the installation of electrodes / sensors in the chemical, pharmaceutical and food & beverage industry. Sensors can be calibrated and cleaned without interrupting the process which dramatically increases sensor life and reduces intensive maintenance.

### Features

- TRI-LOCK™ safety system
- Cleaning and calibration without interrupting the process
- Various immersion depths to suit reactors, tanks or pipes sizes
- Large selection of materials of construction according to demanding application requirements
- Flexible process adaptations for the chemical, pharmaceutical and food & beverage industry
- Sterile double rinsing chamber (InTrac79X e)
- Easy installation and withdrawal while the process is running
- ATEX (2014/34/EU), (For UK statutory Requirements SI 2016 No. 1107) and IECEx

## Content

<b>Operation and System</b>	<b>2</b>	<b>Technical specifications</b>	<b>12</b>
General operation	2	Technical specifications InTrac776 e	12
TRI-LOCK™ safety system	3	Suitable electrodes	13
Complete measuring system	4	Technical specifications InTrac77X e / 79X e	14
Pneumatic and other connections	5	Suitable electrodes / sensors	15
<b>Dimensional drawings</b>	<b>6</b>	<b>Ordering information</b>	<b>16</b>
Dimensional drawings InTrac776 e	6	Product structure InTrac776 e / InTrac777 e /	
Dimensional drawings InTrac777 e / InTrac779 e	7	InTrac779 e	16
Dimensional drawings InTrac797 e / InTrac799 e	8	Product structure InTrac797 e / InTrac799 e	17
Process connections	9	Accessories	19
		Spare parts	19
		Additional documentation	19

**METTLER TOLEDO**

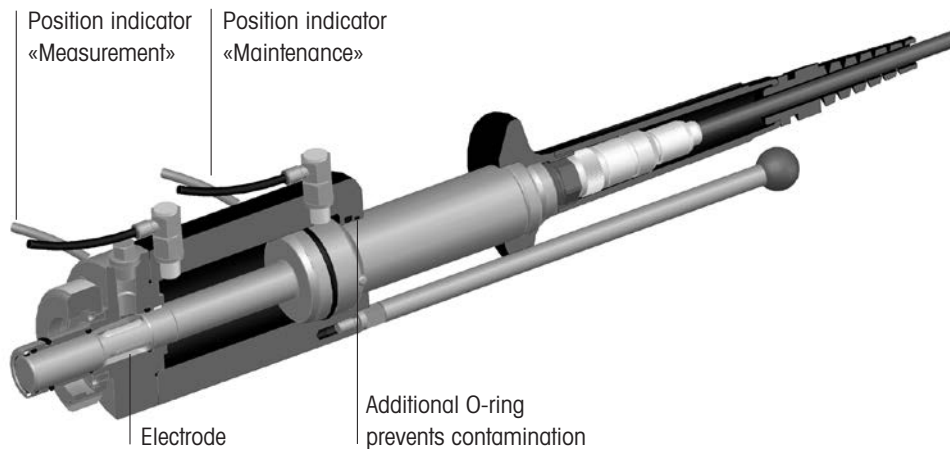
**General operation**

With InTrac retractable housings reliable measurements of pH / ORP, dissolved oxygen, CO<sub>2</sub>, conductivity, and turbidity can be achieved in process applications. The large selection of materials in contact with the media and flexible process adaptation makes the housings suitable for applications in the chemical and the pharmaceutical industry and also meets the demands of engineering companies. The sterilizable InTrac79X e housing is designed to meet the highest demands of the food & beverage and pharmaceutical industry where sterile conditions are required. The housing can be operated manually or pneumatically and allows electrodes/sensors to be:

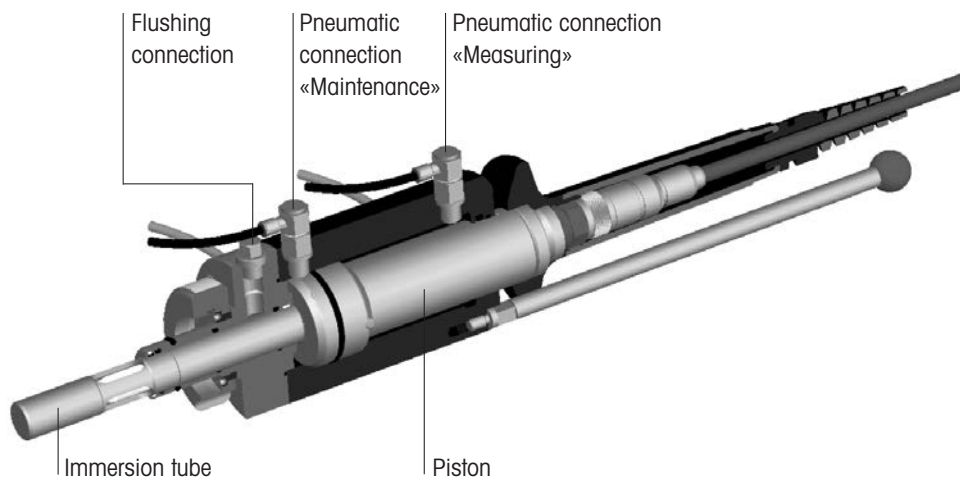
- separated from the process and retracted into the flushing chamber
- rinsed with water or cleaning solution
- calibrated
- completely un-installed
- sterilized (InTrac79X e).

InTrac housings are available in stainless steel DIN 1.4404/AISI 316L, DIN 2.4602/AISI Alloy C22 (i.e. Hastelloy C22) or titanium as well as in Polypropylene (PP), Polyvinylidenfluoride (PVDF) or Polyetheretherketone (PEEK) as wetted parts. Housings with short insertion length (70 mm or 100 mm) for pipe installation and longer insertion length (200 mm) for in-stallation in a reactor can be selected. A wide range of process fittings are available to meet your requirements (see section «process connections»). The InTrac79X e is only available in stainless steel and with a short insertion length, for pipe installation > DN50 (2") or installation in a reactor.

**Maintenance position**

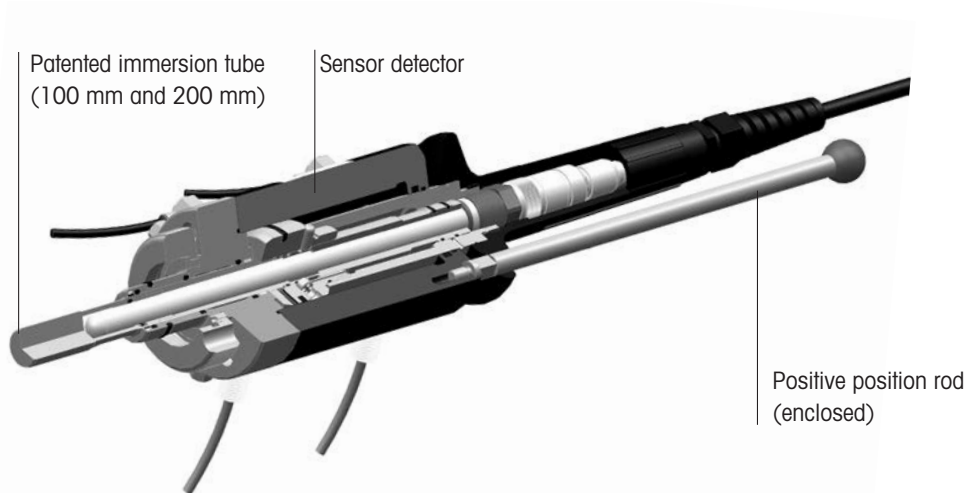


**Measuring position**



TRI-LOCK™ safety system

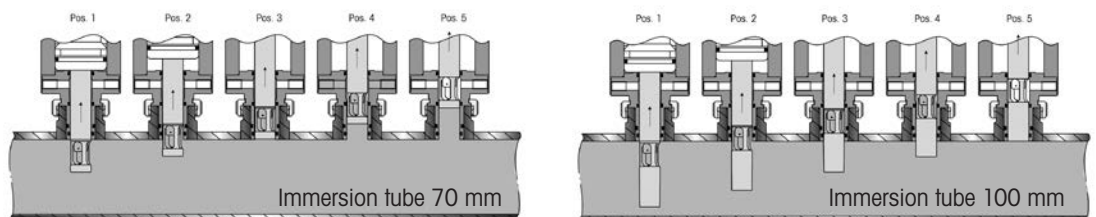
With TRI-LOCK™ safety system from METTLER TOLEDO the risk of unintentional insertion of the electrode / sensor into the process or unintentional replacement of the electrode in the measuring position is minimized. This substantially increases the process safety of your measuring loop. The use of optional position indicators further improves operation safety. The pneumatic or inductive position indicators reliably signal that the electrode is in the measuring or in the maintenance position.



The positive position rod prevents the insertion tube from turning and therefore keeps it in an optimized position for flushing the sensor but also keeps the sensor / electrode in the best measuring position possible. In addition it reduces the risk of unintentional remove of the sensor/electrode while in the measuring position. The positive position rod is optional with all InTrac777 e / 779 e housings as well as with InTrac797 e and 799 e housings.

The sensor detector prevents the housing from being inserted in the process without an installed sensor. The risk of unintentional release of process media is therefore eliminated. The sensor detector is standard with all InTrac housings.

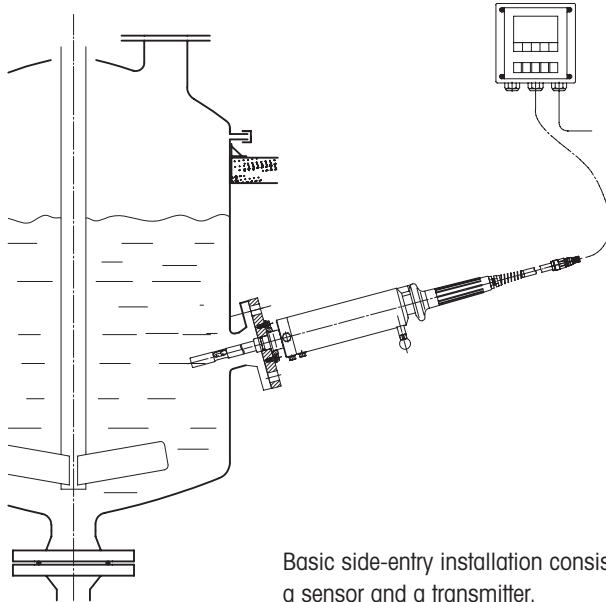
The patented design of the immersion tube H = 100/200 guarantees in any position, safe containment of the process medium during sensor insertion and retraction.



The patented immersion tube comes as standard with all housings with insertion length of 100 mm and 200 mm. Housings with an insertion length of 70 mm do not offer this feature.

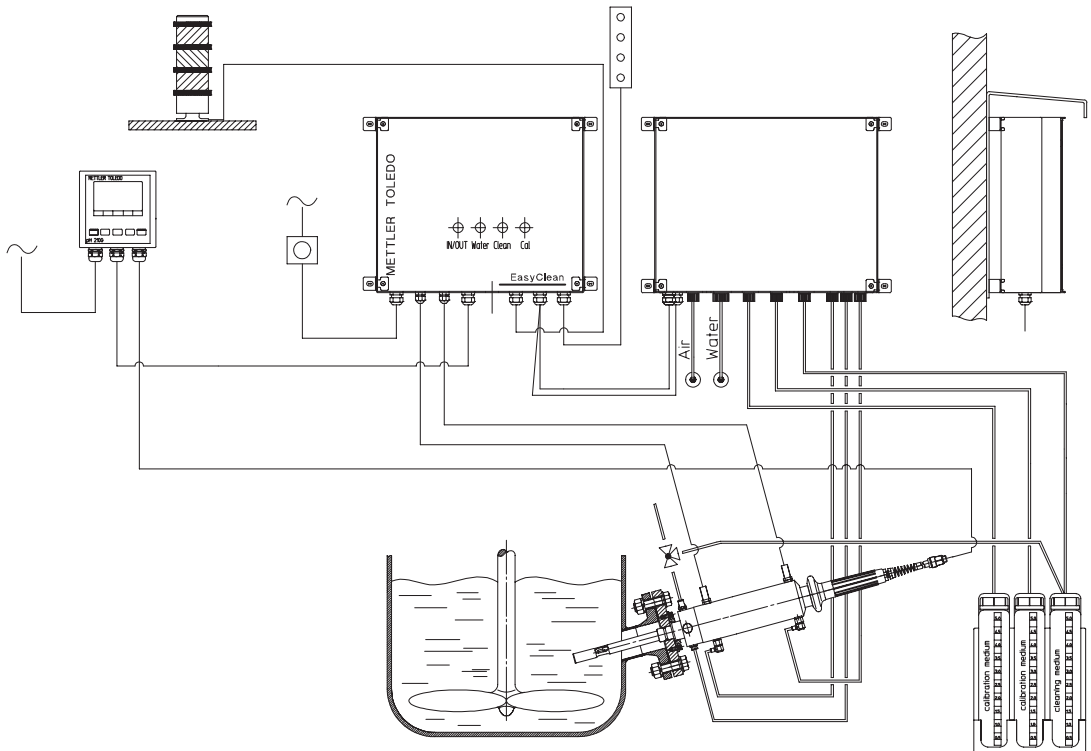
Complete measuring system

Basic measuring system



Basic side-entry installation consisting of an InTrac housing, a sensor and a transmitter.

Measuring system combined with fully automatic EasyClean cleaning and calibration system



In combination with EasyClean cleaning and calibration system you can fully automate your pH measurement. The measuring system consists of an InTrac housing with position indicators, a sensor, a transmitter and the EasyClean cleaning and calibration system. For complete installation in hazardous areas an EasyClean 400X is required in combination with a fully approved housing.

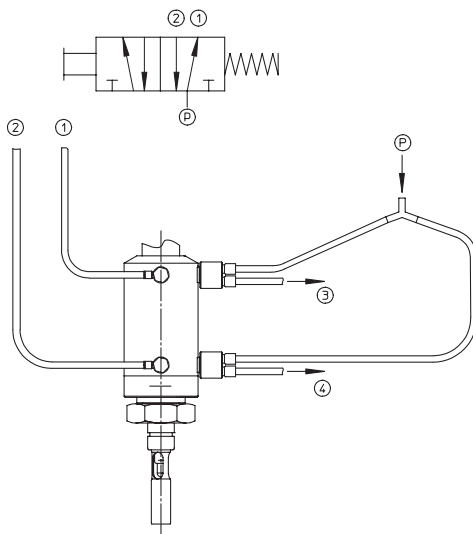
Pneumatic and other connections

Pneumatic connections (continuously adjustable)

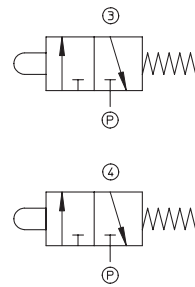
For pneumatic operation of the housing, connections 1 and 2 are to be linked to the air lines 1 and 2 as shown below.

Attention! Only the original fittings supplied with the housing may be used. If the position indicator system is to be used, the two connections 3 and 4 are to be linked to the position indicator valves 3 and 4.

5/2-way valve



3/2-way valve



- p = Compressed air supply
- 1 = Feed «Measurement»
- 2 = Feed «Maintenance»
- 3 = Position indication «Maintenance»
- 4 = Position indication «Measurement»

The operating pressure of the pneumatic system is 4...8 bars. The control air must be water and oil-free, and filtered (40 µm). The hoses must have a minimum size of 6 / 4 mm. The speed of the movement can be continuously adjusted.

Note!

If the air pressure can go above 8 bars (also short spikes), the use of a pressure reducer is recommended.

Connections for position indicators:

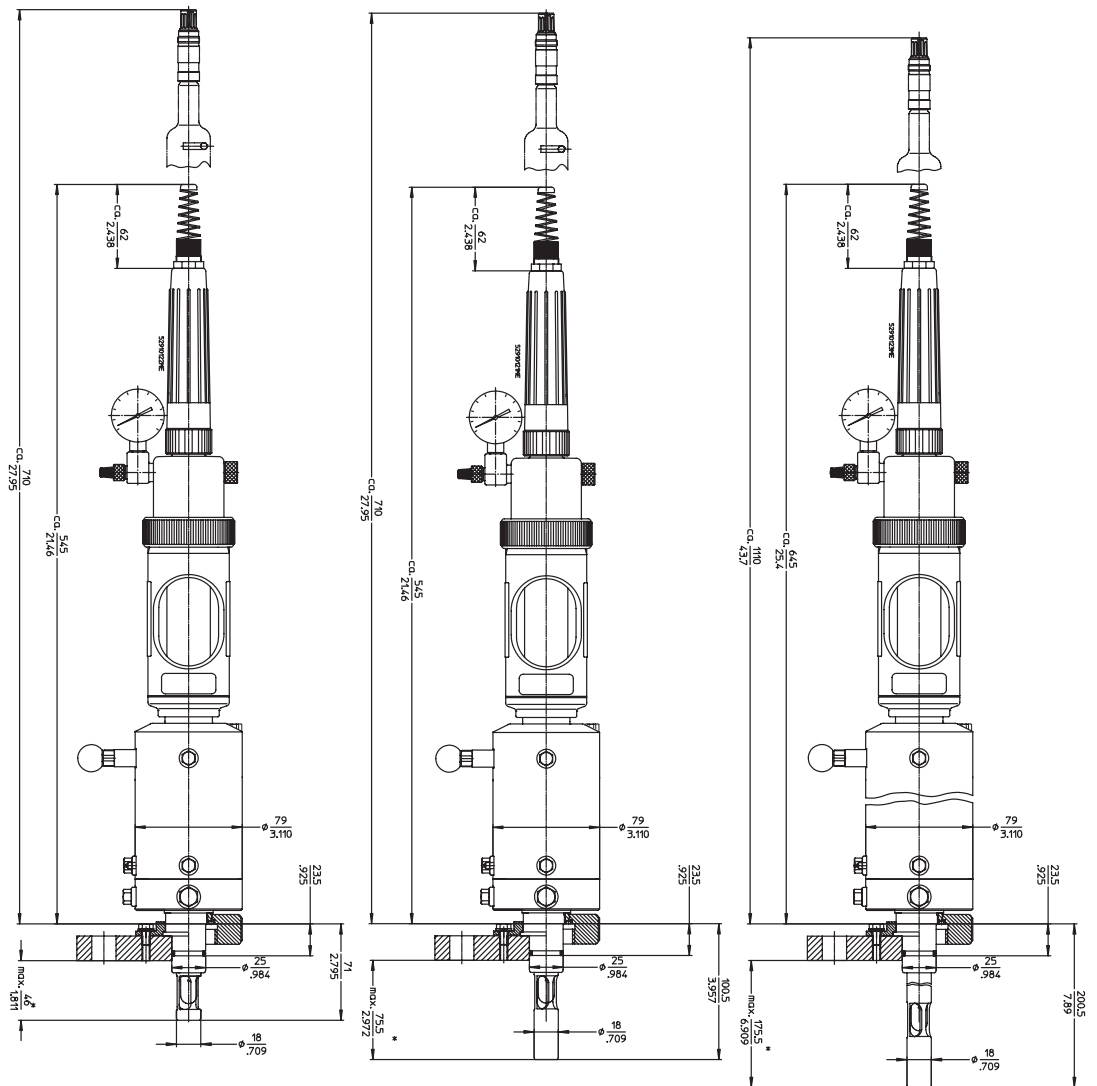


left:  
pneumatic 3 / 2-way position indicator



right:  
inductive position indicator (Ex: 2-wire, non-Ex: 3-wire)

The lower connections are for the function «Measurement» the upper connections for «Maintenance».

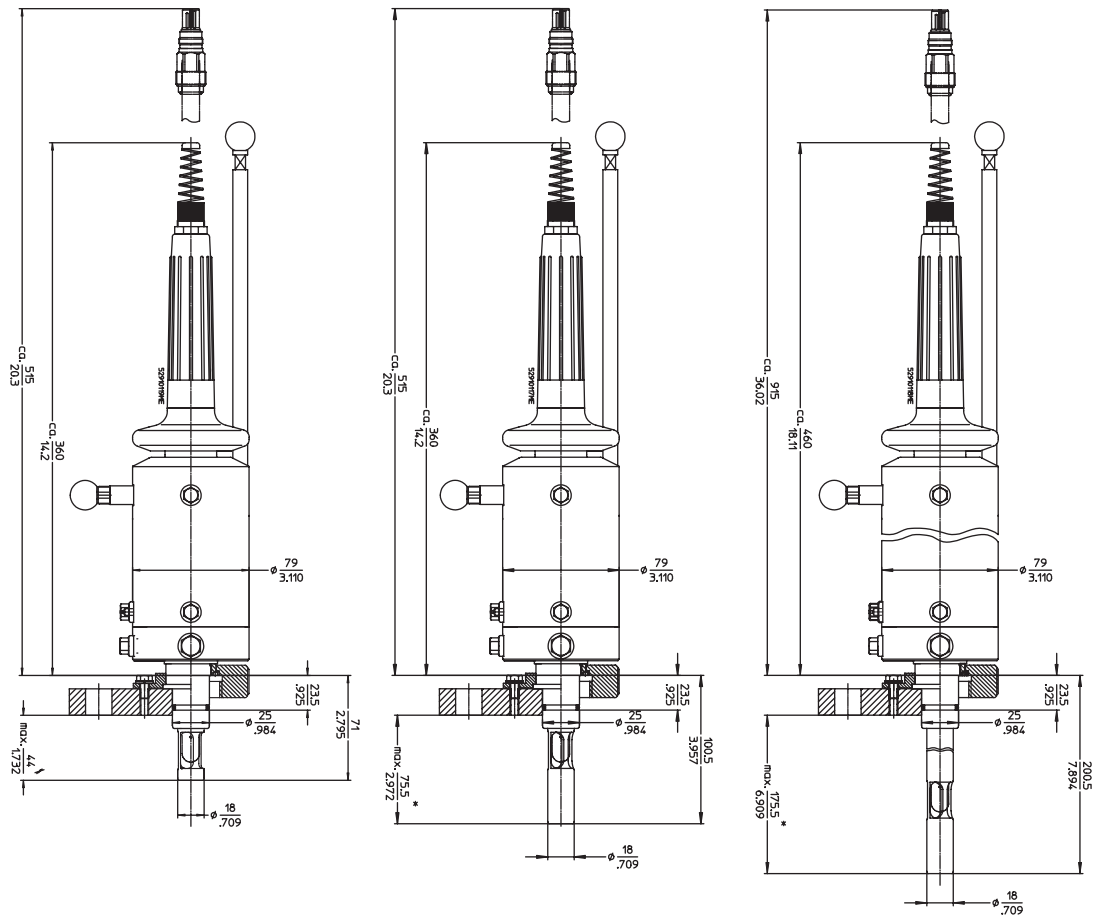


Manually operated InTrac776 e with 70 mm (left), 100 mm (middle), and 200 mm (right) insertion length for pH / ORP electrodes with liquid electrolyte.

	Required clearance for installation	Overall length when inserted	Insertion length (DN25 type)	Insertion length (flange type)
InTrac776 e / 70	710 mm / 27.95"	545 mm / 21.46"	71 mm / 2.78"	max. 46 mm* / 1.81"
InTrac776 e / 100	710 mm / 27.95"	545 mm / 21.46"	100 mm / 3.95"	max. 76 mm* / 2.97"
InTrac776 e / 200	1110 mm / 43.7"	645 mm / 25.4"	200 mm / 7.89"	max. 176 mm* / 6.91"

The dimensions may slightly vary depending on the material and the process adaptation.

\* Valid for DIN DN50-PN16 standard flange. With larger flanges the insertion length will become shorter.

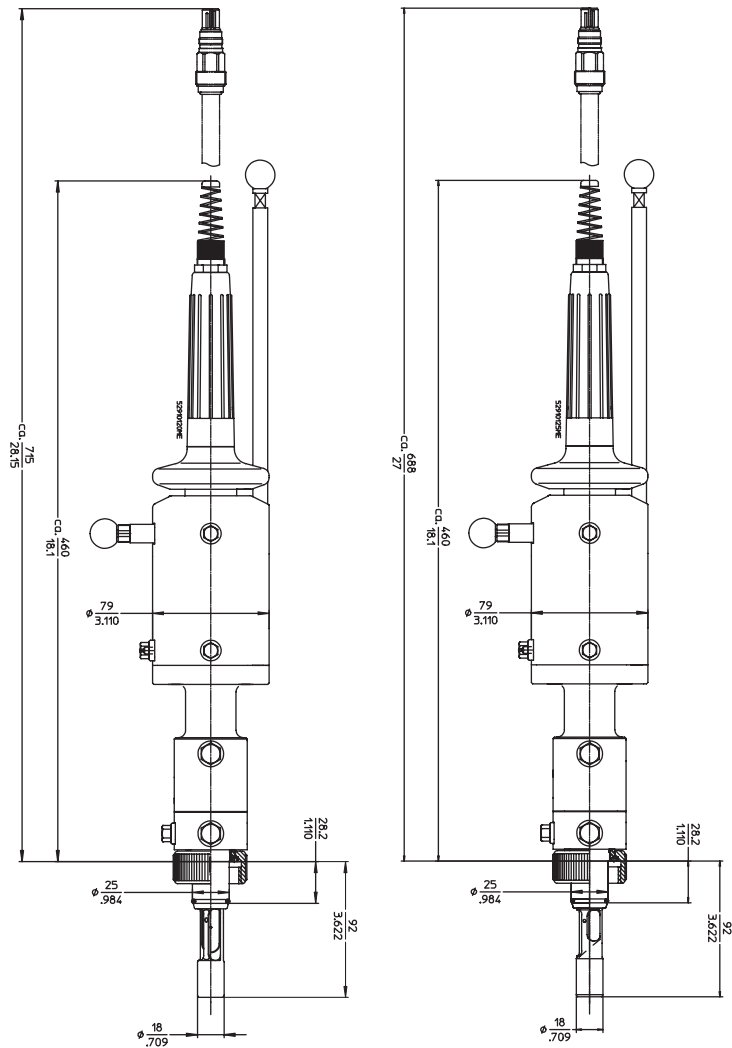


Manually operated InTrac777 e with 70 mm (left), 100 mm (middle) and 200 mm (right) insertion length.

	Required clearance for installation	Overall length when inserted	Insertion length (DN25 type)	Insertion length (flange type)
InTrac777 e / 70	515 mm / 20.3"	360 mm / 14.2"	71 mm / 2.78"	max. 44 mm* / 1.73"
InTrac777 e / 100	515 mm / 20.3"	360 mm / 14.2"	100 mm / 3.95"	max. 76 mm* / 2.97"
InTrac777 e / 200	915 mm / 36.0"	460 mm / 18.11"	200 mm / 7.89"	max. 176 mm* / 6.91"

The dimensions may slightly vary depending on the material and the process adaptation.

\* Valid for DIN DN50-PN16 standard flange. With larger flanges the insertion length will become shorter.



Manually operated InTrac797 e (left) and InTrac799 e (right).

	Required clearance for installation	Overall length when inserted	Insertion length (DN25 type)
InTrac797 e	715 mm / 28.15"	460 mm / 18.10"	92 mm / 3.62"
InTrac799 e	715 mm / 28.15"	460 mm / 18.10"	92 mm / 3.62"

The dimensions may slightly vary depending on the material and the process adaptation.



Process connections

InTrac housings consist of a standardized construction with variable process connections.

The following table shows the possible adaptations and materials

Material	1.4404/ 316L	2.4602 Alloy C22	Ti	PP	PVDF	PEEK
Process connection	Dimension					
For Ingold						
weld-in socket DN25	DN25	•	b)	b)	•	•
Flange DIN	DN32 PN16	•	a)	a)		
	DN40 PN16	•	a)	a)	•	•
	DN50 PN16	•	a)	a)	•	•
	DN80 PN16	•	a)	a)	•	•
Flange ANSI	A150-1.5"	•	a)	a)	•	•
	A150-2 "	•	a)	a)	•	•
	A150-3 "	•	a)	a)	•	•
NPT thread	NPT 1"	•	•	•	•	•
	NPT 1 1/4 "	•				
	NPT 1 1/2 "	•				
Tri-Clamp	TC 1.5"	•				
	TC 2"	•				
Tuchenhagen	Varivent DN50	•				

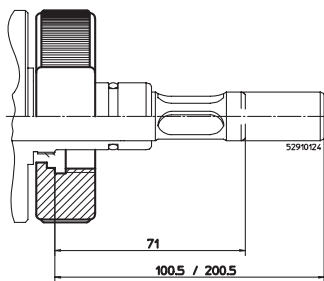
a) Flanges for housings made of DIN 2.4602/AISI Alloy C22 or titanium are supplied in DIN 1.4404/AISI 316L stainless steel together with a fitting plate made of PTFE (wetted part).

b) Cap nut for Ingold sockets are made of DIN 1.4404/AISI 316L stainless steel.

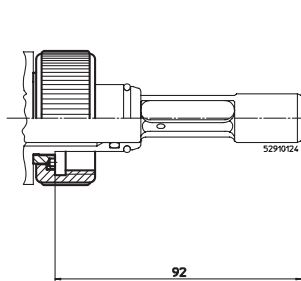
Other process connections on request.

Process connection for DN25 sockets

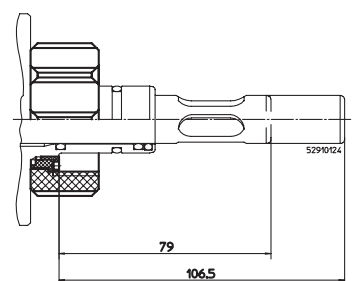
SS-type  
for InTrac776 e / 777 e / 779 e\*



SS-type  
for InTrac797 e / 799 e\*



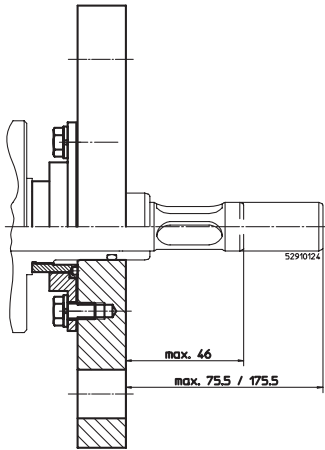
Polymer-type  
for InTrac776 e / 777 e



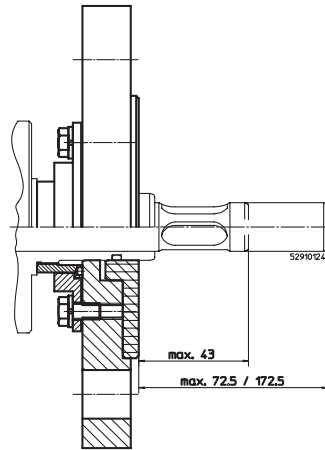
\* For housings used with turbidity sensors (InTrac 779 e, InTrac 799 e) please refer to the drawing page 8 for the different immersion tube.

Process connection through DIN flange

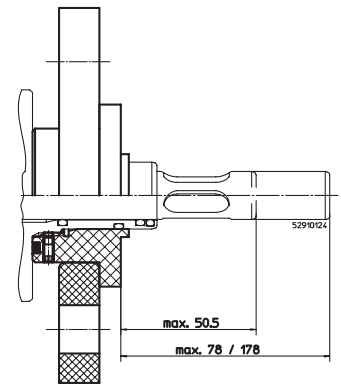
SS-type  
for InTrac776 e / 777 e / 779 e\*



Alloy C22/Ti-type  
for InTrac776 e / 777 e / 779 e\*

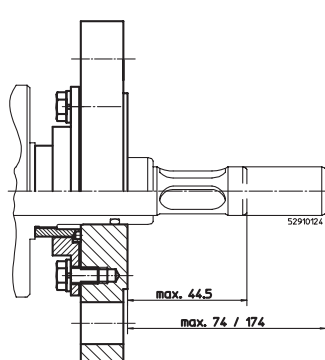


Polymer-type  
for InTrac776 e / 777 e

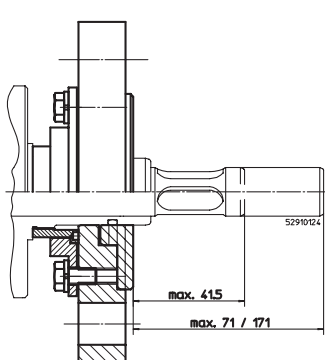


Process connection through ANSI flange

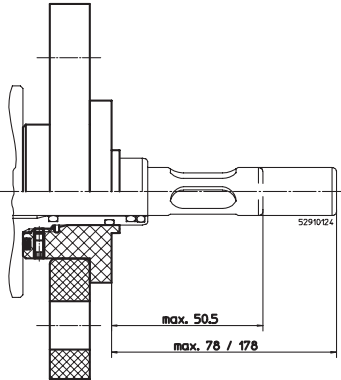
SS-type  
for InTrac776 e / 777 e / 779 e\*



Alloy C22/Ti-type  
for InTrac776 e / 777 e / 779 e\*



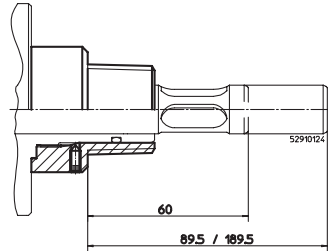
Polymer-type  
for InTrac776 e / 777 e



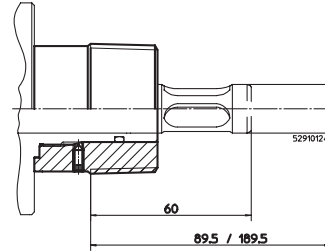
\* For housings used with turbidity sensors (InTrac 779 e, InTrac 799 e) please refer to the drawing page 8 for the different immersion tube.

**Process connection through NPT thread**

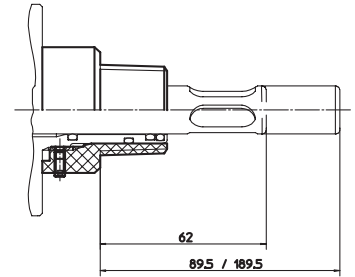
SS-type NPT 1 " / 1 1/4 " for InTrac776 e / 777 e / 779 e\*



SS-type NPT 1 1/2 " for InTrac776 e / 777 e / 779 e\*

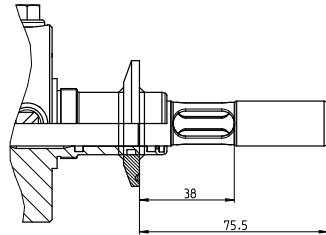


Polymer-type for InTrac776 e / 777 e

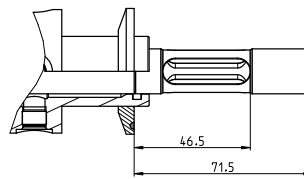


**Process connection through Tri-Clamp flange**

SS-type for InTrac776 e / 777 e / 779 e\*

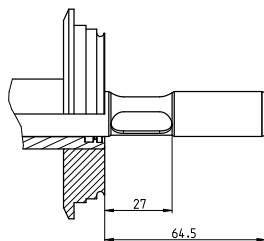


SS-type for InTrac797 e / 799 e\*  
InTrac797e InTrac799e

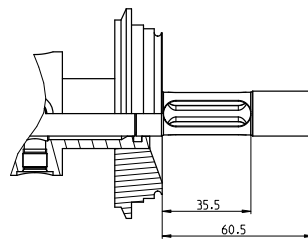


**Process connection through Tuchenhagen Varivent DN50**

SS-type for InTrac776 e / 777 e / 779 e\*



SS-type for InTrac797 e / 799 e\*



\* For housings used with turbidity sensors (InTrac 779 e, InTrac 799 e) please refer to the drawing page 8 for the different immersion tube.

Technical specifications InTrac776 e

**Ambient conditions**

Temperature	POM-body: 0...70 °C / 32...158 °F
	SS-body: -10...70 °C / 14...158 °F

**Process conditions**

Functional pressure range	manual: 0...5 bar / 0...73 psig
	pneumatic: 0...8 bar / 0...116 psig

Max. permissible pressure [PS]/[TS]*	<b>PP</b>	6 bar / 20 °C	87 psig / 68 °F
(linear decreasing)		0 bar / 80 °C	0 psig / 176 °F
	<b>PVDF</b>	6 bar / 20 °C	87 psig / 68 °F
		1 bar / 110 °C	15 psig / 230 °F
	<b>PEEK</b>	6 bar / 20 °C	87 psig / 68 °F
		1 bar / 110 °C	15 psig / 230 °F

**1.4404/316L/**

**2.4602/**

**Alloy C22, Ti** 6 bar / 130 °C 87 psig / 266 °F

**Operation**

manual or pneumatic

**Insertion length**

70 mm, 100 mm, 200 mm

**Wetted parts**

DIN 1.4404/AISI 316L, DIN 2.4602/Alloy C22, titanium  
PP, PVDF, PEEK

**Wetted O-rings**

FKM-FDA, EPDM-FDA, FFKM-FDA

**Not wetted parts**

body: Polyoxymethylene (POM) conductive or DIN 1.4404/AISI 316L  
protective sleeve: Polypropylene (PP) conductive

**Weight**

approx. 4.5 kg

**Outer dimensions**

Short version (70/100 mm)	length: approx. 545 mm in measuring position length: approx. 710 mm for electrode removal (minimum)
Long version (200 mm)	length: approx. 645 mm in measuring position length: approx. 1110 mm for electrode removal (minimum)

**Pneumatic connections**

4...8 bar / 58...116 psig

**Air quality to ISO 8573-1**

- air moisture content class 4 (dew point +3 °C)
- solids class 5 (filter 40 µm)
- max. oil content class 2 (0.1 mg/m3)
- air connections for hoses 6/4 mm

**Flushing connections**

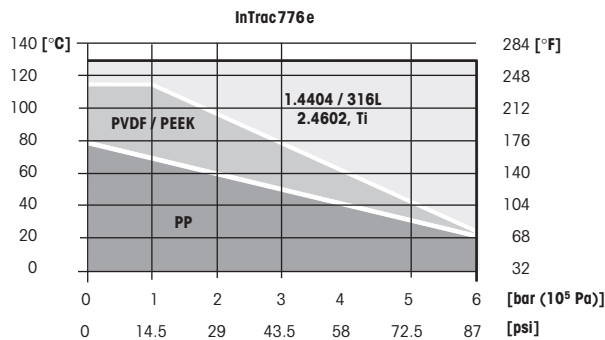
2...6 bar / 29...87 psig

(Water, steam or cleaning solutions)

- 1x connection IN: thread G 1/8 "
- 1x connection OUT: thread G 1/4 "
- 1x connection TEMP: thread G 1/8 "

**Position monitoring**

- pneumatic check-back (3/2 way-valve); G 1/8 "
- inductive check-back, non-Ex, M12x1
- inductive check-back, Ex, M12x1



\*Pressure rating according to PED 97/23/EC

<b>Pressure information</b>	According to PED-Article 1, Section 2.2: «Pressure» is referenced to atmospheric pressure, e.g. an overpressure. Accordingly, a pressure in the vacuum region will be expressed as a negative pressure.
<b>Explosion protection</b> (Valid for all housings with medium-wetted parts made of metal)	According to ATEX guidelines (2014/34/EU): Ⓔ II 1/2G Ex h IIC T6 ... T3 Ga/Gb II 1/2D Ex h IIIC T69 °C...T131 °C Da/Db SEV 13 ATEX 0161X IECEX SEV 19.0014X CML 22 UKEX 6413X According to FM guidelines: IS CL I,II,III, Div 1, GR A,B,C,D,E,F,G Tamb. = 0 °C to + 60 °C FM control drawing: 53800002; Entity Original project ID 3021227; FM Certificate number: FM16US0034X FM18CA0021X
<b>Certificates / approvals</b>	Declaration of conformity CE Pressure equipment directive (PED) 2014/68/EU Certificate of compliance with the order EN10204-2.1 Inspection certificate 3.1 ATEX (2014/34/EU), FM certificate, MaxCert™, IECEx and UKEX

<b>Suitable electrodes</b>	
<b>Insertion length</b>	<b>Length of electrode</b>
H = 70 / 100 mm	250 mm
H = 200 mm	450 mm
pH electrodes	InPro2000
	465-50
ORP electrodes	Pt4865-50

Technical specifications InTrac77X e / 79X e

**Ambient conditions**

Temperature	POM-body: 0...70 °C / 32...158 °F
	SS-body: -10...70 °C / 14...158 °F

**Ambient conditions**

Functional pressure range	manual: 0...5 bar / 0...73 psig
	pneumatic: 0...8 bar / 0...116 psig

Max. permissible pressure [PS]/[TS]* (linear decreasing)	<b>PP</b>	6 bar / 20 °C	87 psig / 68 °F
		0 bar / 80 °C	0 psig / 176 °F
	<b>PVDF</b>	6 bar / 20 °C	87 psig / 68 °F
		1 bar / 110 °C	15 psig / 230 °F
	<b>PEEK</b>	6 bar / 20 °C	87 psig / 68 °F
		1 bar / 110 °C	15 psig / 230 °F

**1.4404/316L**

**2.4602/**

**Alloy C22, Ti** 16 bar / 140 °C 232 psig / 284 °F

**Operation**

manual or pneumatic

**Insertion length**

InTrac77X e:	70 mm / 100 mm / 200 mm
InTrac79X e:	100 mm

**Wetted parts**

InTrac77X e:	DIN 1.4404/AISI 316L, DIN 2.4602/AISI Alloy C22, titanium, PP, PVDF, PEEK
InTrac79X e:	DIN 1.4404/AISI 316L

**Wetted O-rings**

FKM-FDA, EPDM-FDA, FFKM-FDA

**Non- wetted parts**

body: Polyoxymethylene (POM) conductive or DIN 1.4404/AISI 316L  
protective sleeve: Polypropylene (PP) conductive

**Weight**

approx 4.5 kg

**Outer dimensions**

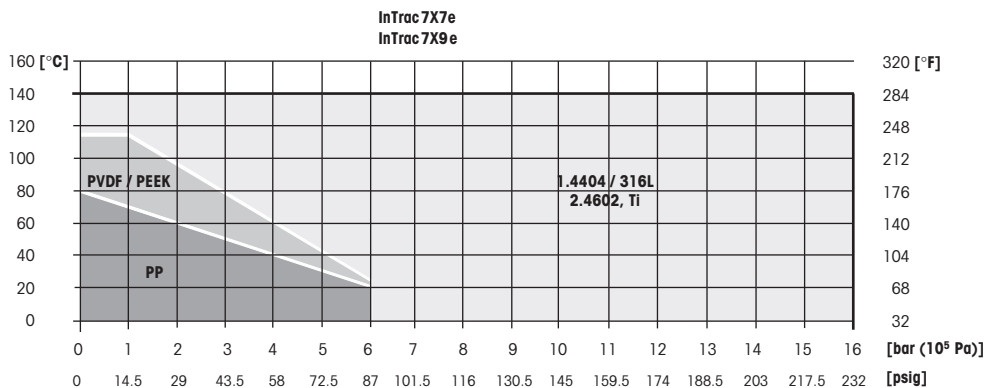
Short version 77X e (70/100 mm)	length: approx. 360 mm in measuring position
	length: approx. 515 mm for electrode removal (minimum)
Long version 77X e (200 mm)	length: approx. 460 mm in measuring position
	length: approx. 915 mm for electrode removal (minimum)
Version 79X e (100 mm)	length: approx. 460 mm in measuring position
	length: approx. 715 mm for electrode removal (minimum)

**Pneumatic connections**

4...8 bar / 58...116 psig

**Air quality to ISO 8573-1**

- air moisture content class 4 (dew point +3°C)
- solids class 5 (filter 40 µm)
- max. oil content class 2 (0.1 mg / m3)
- air connections for hoses 6/4 mm



\*pressure rating according to PED 97/23/EC

**Flushing connections**

InTrac77X e (Water, cleaning solutions)	2...6 bar / 29...87 psig 1 x connection IN: thread G 1/8 " 1 x connection OUT: thread G 1/4 " 1 x connection TEMP: thread G 1/8 "
InTrac79X e (Water, cleaning solutions, steam)	2...6 bar / 29...87 psig 5 x connections: thread G 1/8 "

**Position monitoring**

pneumatic check-back (3/2 way-valve); G 1/8 "  
inductive check-back, non-Ex, M12 x 1  
inductive check-back, Ex, M12 x 1

**Pressure information**

According to PED-Article 1, Section 2.2:  
«Pressure» is referenced to atmospheric pressure, e.g. an overpressure.  
Accordingly, a pressure in the vacuum region will be expressed as a negative pressure.

**Explosion protection**

(Valid for all housings with medium-wetted parts made of metal)

According to ATEX guidelines (2014/34/EU):  
Ⓔ II 1/2G Ex h IIC T6 ... T3 Ga/Gb, II 1/2D Ex h IIIC T69 °C...T131 °C Da/Db  
SEV 13 ATEX 0161X, IECEx SEV 19.0014X, CML 22 UKEX 6413X  
According to FM guidelines:  
IS CL I,II,III, Div 1, GR A,B,C,D,E,F,G, Tamb. = 0 °C to + 60 °C  
FM control drawing: 53800002; Entity  
Original project ID 3021227;  
FM Certificate number: FM16US0034X FM18CA0021X

**Certificates / approvals**

Declaration of conformity CE  
Pressure equipment directive (PED) 97/23/EC  
Certificate of compliance with the order EN10204-2.1  
Inspection certificate 3.1  
ATEX (2014/34/EU), FM certificate, MaxCert™, IECEx and UKEX

**Suitable electrodes / sensors**

**InTrac777 e**

Insertion length	Length of sensor/electrode
H = 70 / 100 mm	220 mm or 225 mm
H = 200 mm	420 mm or 425 mm
pH	InPro3200, InPro 4250, InPro4800
ORP	Pt4805
Dissolved oxygen	InPro6800 / InPro6900 (220 mm only)
Conductivity	InPro7001-VP (225 mm only)

**InTrac779 e**

Insertion length	Length of sensor
H = 70 / 100 mm	205 mm
H = 200 mm	407 mm
Turbidity	InPro8100, InPro8200

**InTrac797 e**

Insertion length	Length of sensor/electrode
H = 100 mm	320 mm or 325 mm
pH	InPro3030, InPro3100, InPro3300
ORP	Pt4805
CO2	InPro5000
Dissolved oxygen	InPro6800 / InPro6900 (320 mm only)

**InTrac799 e**

Insertion length	Length of sensor
H = 100 mm	297 mm
Turbidity	InPro8100, InPro8200

Product structure InTrac776 e / 777 e / 779 e

<b>Flushing chamber</b>																													
7	single flushing chamber																												
<b>Electrode / sensor type</b>																													
6	pH electrodes with liquid electrolyte																												
7	pH electrodes with gel-/polymer electrolyte and sensors with Pg 13.5 thread																												
9	turbidity sensors																												
<b>Operation mode</b>																													
M	manual operation																												
P	pneumatic operation																												
R	pneumatic operation with pneumatic position indication																												
I	pneumatic operation with inductive position indication non-Ex																												
X	pneumatic operation with inductive position indication Ex																												
<b>Insertion length (H)</b>																													
0	7	0	H = 70 mm																										
1	0	0	H = 100 mm																										
2	0	0	H = 200 mm																										
<b>Material</b>																													
4	4	0	4	DIN 1.4404 / AISI 316L																									
C	2	2	-	DIN 2.4602/AISI Alloy C22																									
T	i	-	-	Titanium																									
P	P	-	-	Polypropylene																									
P	V	D	F	Polyvinylidenfluoride																									
P	E	E	K	Polyetheretherketone																									
<b>Process connections</b>																													
D	0	0	Ingold DN25 weld-in socket																										
D	0	2	Flange DN32 PN16 (SS-version only)																										
D	0	3	Flange DN40 PN16																										
D	0	4	Flange DN50 PN16																										
D	0	6	Flange DN80 PN16																										
A	0	2	ANSI flange A150-1.5"																										
A	0	3	ANSI flange A150-2"																										
A	0	4	ANSI flange A150-3"																										
N	0	1	NPT thread 1"																										
N	0	2	NPT thread 1 1/4 "																										
N	0	3	NPT thread 1 1/2 "																										
T	0	1	Tri-Clamp 1.5"																										
T	0	2	Tri-Clamp 2"																										
V	0	1	Varivent DN50																										
<b>O-ring material</b>																													
V	i	FKM-FDA																											
E	P	EPDM-FDA																											
K	a	FFKM-FDA																											
<b>Body material</b>																													
A	POM conductive																												
S	DIN 1.4404/AISI 316L																												
<b>Flushing connections</b>																													
0	without																												
1	Serto ss																												
2	PVC																												
3	PVDF																												
4	Gyralok ss																												
5	Swagelok ss																												
<b>Specials</b>																													
0	None																												
1	Special																												

InTrac 7

7				/					/					/					/					/					/									
8	9	10	11	12	13	14	15	16	17	18	19	20	21	22	23	24	25	26	27	28	29	30																

- Housings made of Alloy C22 or titanium are supplied with FFKM O-rings as a standard
- Housings made of Alloy C22 or titanium are supplied with cap nut made of stainless steel as standard. Flanges are also made of stainless steel and supplied with a sealing plate made of PTFE.
- Varivent and Tri-Clamp flanges are available in stainless steel only.



Product structure InTrac797 e / 799 e

<b>Flushing chamber</b>	
<b>9</b>	double flushing chamber
<b>Electrode / sensor type</b>	
<b>7</b>	pH electrodes with gel-/polymer electrolyte and sensors with Pg 13.5 thread
<b>9</b>	turbidity sensors
<b>Operation mode</b>	
<b>M</b>	manual operation
<b>P</b>	pneumatic operation
<b>R</b>	pneumatic operation with pneumatic position indication
<b>I</b>	pneumatic operation with inductive position indication non-Ex
<b>X</b>	pneumatic operation with inductive position indication Ex
<b>Insertion length (H)</b>	
<b>1 0 0</b>	H = 100 mm
<b>Material</b>	
<b>4 4 0 4</b>	DIN 1.4404 / AISI 316L
<b>Process connections</b>	
<b>D 0 0</b>	Ingold DN25 weld-in socket
<b>T 0 1</b>	Tri-Clamp 1.5"
<b>T 0 2</b>	Tri-Clamp 2"
<b>V 0 1</b>	Varivent DN50
<b>O-ring material</b>	
<b>V i</b>	FKM-FDA
<b>E P</b>	EPDM-FDA
<b>K a</b>	FFKM-FDA
<b>Body material</b>	
<b>A</b>	POM conductive
<b>S</b>	DIN 1.4404/AISI 316L
<b>Flushing connections</b>	
<b>0</b>	without
<b>1</b>	Serto ss
<b>4</b>	Gyrolok ss
<b>5</b>	Swagelok ss
<b>Specials</b>	
<b>0</b>	None
<b>1</b>	Special

InTrac 7 

9		
---	--	--

 / 

1	0	0
---	---	---

 / 

4	4	0	4
---	---	---	---

 / 

--	--	--

 / 

--	--	--

 / 

--	--	--

Housings with double flushing chamber are only available with DN25, Tri-Clamp or Varivent process connections.

InTrac776 e	Designation	Order no.
	InTrac776M/070/4404/D00/Ni/A00	52 403 220
	InTrac776M/100/4404/D00/Ni/A00	52 403 221
	InTrac776M/200/4404/D00/Ni/A00	52 403 222
	InTrac776P/070/4404/D00/Ni/A00	52 403 223
	InTrac776P/100/4404/D00/Ni/A00	52 403 224
	InTrac776P/200/4404/D00/Ni/A00	52 403 225
	InTrac776M/070/PVDF/D00/Ni/A00	52 403 226
	InTrac776M/100/PVDF/D00/Ni/A00	52 403 227
	InTrac776P/070/PVDF/D00/Ni/A00	52 403 228
	InTrac776P/100/PVDF/D00/Ni/A00	52 403 229
	InTrac776R/100/4404/D00/Ni/A00	52 403 230
	InTrac776I/100/4404/D00/Ni/A00	52 403 231
	InTrac776M/070/4404/D00/Ka/A00	52 403 232
InTrac777 e		
	InTrac777M/070/4404/D00/Ni/A00	52 403 205
	InTrac777M/100/4404/D00/Ni/A00	52 403 206
	InTrac777M/200/4404/D00/Ni/A00	52 403 207
	InTrac777P/070/4404/D00/Ni/A00	52 403 208
	InTrac777P/100/4404/D00/Ni/A00	52 403 209
	InTrac777P/200/4404/D00/Ni/A00	52 403 210
	InTrac777M/070/PVDF/D00/Ni/A00	52 403 211
	InTrac777M/100/PVDF/D00/Ni/A00	52 403 212
	InTrac777P/070/PVDF/D00/Ni/A00	52 403 213
	InTrac777P/100/PVDF/D00/Ni/A00	52 403 214
	InTrac777R/100/4404/D00/Ni/A00	52 403 215
	InTrac777I/100/4404/D00/Ni/A00	52 403 216
	InTrac777M/070/4404/N01/Ni/A00	52 403 217
	InTrac777M/100/4404/N01/Ni/A00	52 403 218
	InTrac777M/200/4404/N01/Ni/A00	52 403 219
InTrac779 e		
	InTrac779M/070/4404/D00/Ni/A00	52 403 236
InTrac797 e		
	InTrac797M/100/4404/D00/Ni/A00	52 403 233
	InTrac797P/100/4404/D00/Ni/A00	52 403 235
	InTrac797M/100/4404/768/Ni/A00*	52 403 234
InTrac799 e		
	InTrac799M/100/4404/D00/Ni/A00	52 403 237

\* with 768 adapter

All other configurations can be ordered according to the product key from pages 16 and 17.

Accessories	Designation	Order no.
	Pt100-764/5 m	59 902 479
	3/2-way reversion valve set (2 pcs), pneumatic	52 401 324
	Inductive check-back, non-Ex (2 pcs)	52 402 398
	Inductive check-back, Ex (2 pcs)	52 402 399
	Fitting Set SERTO	52 400 842
	Fitting Set SWAGELOK	52 400 843
	Fitting Set GYROLOK	52 400 844
	Fitting Set PVDF	52 400 768
	Fitting Set PVC	52 400 769
	pneumatic connection (throttle valve 1 pc*)	59 905 541
	Positive position rod, long 7XX e	52 403 121
	* 2 pcs required per housing	

Spare parts		
	O-ring set FKM-FDA	52 403 172
	O-ring set FFKM-FDA	52 403 173
	O-ring set EPDM-FDA	52 403 174
	Set cable grommet 5 mm / 7 mm	52 403 463

Additional accessories		
	Weld-in sockets	
	Weld-in socket L = 40 / DN25 / inclined	59 900 903
	Weld-in socket L = 48 / DN25 / inclined	59 901 125
	Weld-in socket L = 55 / DN25 / inclined	59 901 126
	Weld-in socket L = 40 / DN25 / straight	59 901 127
	Weld-in socket L = 50 / DN25 / straight	59 901 128
	Weld-in socket L = 60 / DN25 / straight	59 901 129

Blind plugs		
	Blind plug DN25 L = 40/inclined	59 901 283
	Blind plug DN25 L = 40/straight	59 901 287

Flow-through chambers		
	Flow-through chamber PVDF/DN40 for H = 70 /100 mm	52 400 764
	Flow-through chamber PVC/DN40 for H = 70 /100 mm	52 400 765
	Flow-through chamber ss 1.4408 for H = 70 mm	59 901 360

For further accessories please contact your local METTLER TOLEDO representative.

Together with housings and electrodes / sensors METTLER TOLEDO offers a wide range of transmitters and Easy-Clean automated cleaning and calibration systems. Highly automated and application-specific measuring systems to meet your needs can be provided. For further information see [www.mt.com](http://www.mt.com)

Additional documentation		
	Instruction manual InTrac Series (G/E/F)	52 403 124

For addresses of METTLER TOLEDO  
Market Organizations please go to:  
**[www.mt.com/contacts](http://www.mt.com/contacts)**

**[www.mt.com/pro](http://www.mt.com/pro)**

For more information



Management System  
certified according to  
ISO 9001/ISO 14001



**METTLER TOLEDO Group**  
Process Analytics  
Local contact: [www.mt.com/contacts](http://www.mt.com/contacts)

Subject to technical changes.  
© 06/2023 METTLER TOLEDO. All rights reserved.  
52 403 126 B  
MarCom Urdorf, CH

