

**English**

User Manual **Pipette Calibration Balances** XPR26PC

**Deutsch**

Benutzerhandbuch **Waagen für die Kalibrierung von Pipetten**  
XPR26PC

**Español**

Manual de usuario **Balanzas de calibración de pipetas** XPR26PC

**Français**

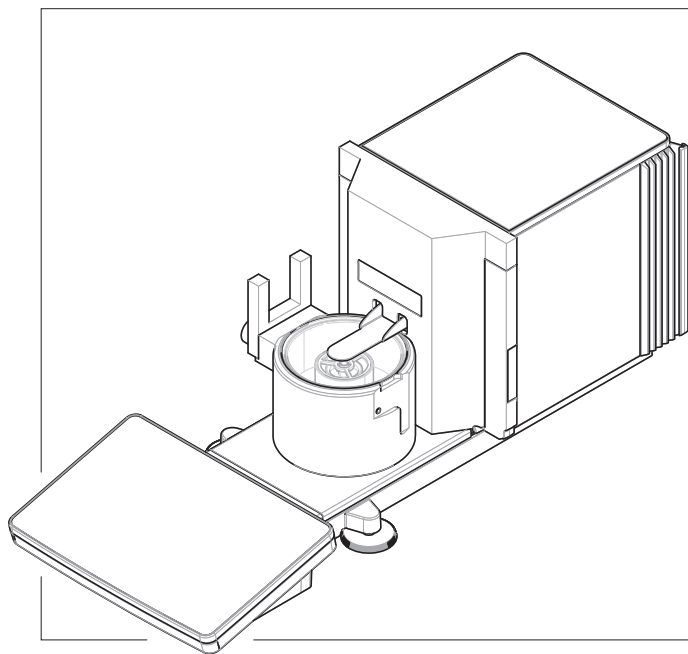
Guide de l'utilisateur **Balances pour l'étalonnage de pipettes**  
XPR26PC

简体中文

用户手册 **移液器校准天平** XPR26PC

日本語

ユーザマニュアル **ピペット校正天びん** XPR26PC



**METTLER TOLEDO**



en



This User Manual is a brief instruction that provides information to handle with the first steps of the instrument in a safe and efficient manner. Personnel must have carefully read and understood this manual before performing any tasks.

For full information, always refer to the Reference Manual (RM).

► [www.mt.com/XPR26PC-RM](http://www.mt.com/XPR26PC-RM)

de



Dieses Benutzerhandbuch ist eine Kurzanleitung, die Informationen für den sicheren und effizienten Umgang mit den ersten Schritten des Gerätes enthält. Das Personal muss dieses Handbuch sorgfältig gelesen und verstanden haben, bevor es Aufgaben ausführen kann.

Ausführliche Informationen finden Sie stets im Referenzhandbuch (RM).

► [www.mt.com/XPR26PC-RM](http://www.mt.com/XPR26PC-RM)

es



Este manual de usuario consiste en unas breves instrucciones que proporcionan información para llevar a cabo los primeros pasos del instrumento de un modo seguro y eficaz. El personal deberá haber leído y comprendido este manual antes de llevar a cabo cualquier tarea.

Para obtener más información, consulte siempre el manual de referencia (MR).

► [www.mt.com/XPR26PC-RM](http://www.mt.com/XPR26PC-RM)

fr



Ce guide de l'utilisateur est un manuel court qui fournit des informations sur la manipulation de l'instrument d'une manière efficace et sécurisée dès la première utilisation. Le personnel doit avoir lu avec attention et compris le présent manuel avant d'entreprendre quelque tâche que ce soit.

Il convient de se référer systématiquement au Manuel de référence (MR) pour obtenir des informations exhaustives.

► [www.mt.com/XPR26PC-RM](http://www.mt.com/XPR26PC-RM)

zh



本用户手册是一个简要说明，提供了以安全高效的方式操作仪器的前期步骤。人员执行任何任务之前必须仔细阅读并理解本手册。

有关完整信息，务必查阅《参考手册（RM）》。

► [www.mt.com/XPR26PC-RM](http://www.mt.com/XPR26PC-RM)

ja

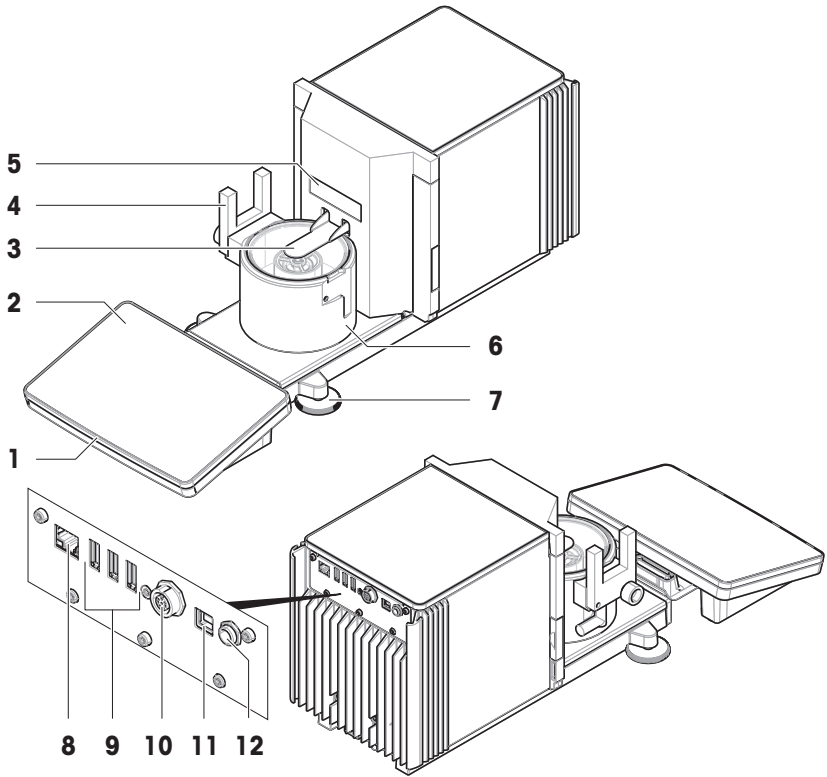


このユーザマニュアルは、機器に関する最初の手順を安全で効率的な方法で取扱うための情報が記載された簡易説明書です。ご使用になる前に、必ず本取扱説明書をよく読んで理解する必要があります。

すべての情報については、必ずリファレンスマニュアル (RM) を参照してください。

► [www.mt.com/XPR26PC-RM](http://www.mt.com/XPR26PC-RM)

## Overview balance



en

1	StatusLight	7	Leveling feet
2	Terminal	8	Ethernet port
3	Evaporation trap door	9	USB-A ports (to device)
4	Light barrier	10	Socket for terminal connection cable
5	Balance type plate	11	USB-B port (to host)
6	Pipetting base	12	Socket for AC/DC adapter

de

1	StatusLight	7	Nivellierfüße
2	Terminal	8	Ethernet-Port
3	Verdunstungsfallentür	9	USB-A-Anschlüsse (zum Gerät)
4	Lichtschanke	10	Buchse für Terminal-Anschlusskabel
5	Typenschild der Waage	11	USB-B-Anschluss (zum Host)
6	Pipettierbasis	12	Anschluss für Netzadapter

es

1	StatusLight	7	Patas de nivelación
2	Terminal	8	Puerto Ethernet

<b>3</b>	Puerta de la trampa de evaporación	<b>9</b>	Puertos USB-A (al dispositivo)
<b>4</b>	Barrera de luz	<b>10</b>	Conector para el cable de conexión del terminal
<b>5</b>	Placa de tipo de balanza	<b>11</b>	Puerto USB-B (al host)
<b>6</b>	Base de pipeteo	<b>12</b>	Conector hembra para el adaptador de CA/CC

fr

<b>1</b>	StatusLight	<b>7</b>	Pieds de mise de niveau
<b>2</b>	Terminal	<b>8</b>	Port Ethernet
<b>3</b>	Porte du piège anti-évaporation	<b>9</b>	Ports USB-A (vers l'appareil)
<b>4</b>	Barrière photoélectrique	<b>10</b>	Prise pour câble de raccordement du terminal
<b>5</b>	Plaque signalétique de la balance	<b>11</b>	Port USB-B (vers l'hôte)
<b>6</b>	Base de pipetage	<b>12</b>	Prise d'adaptateur secteur

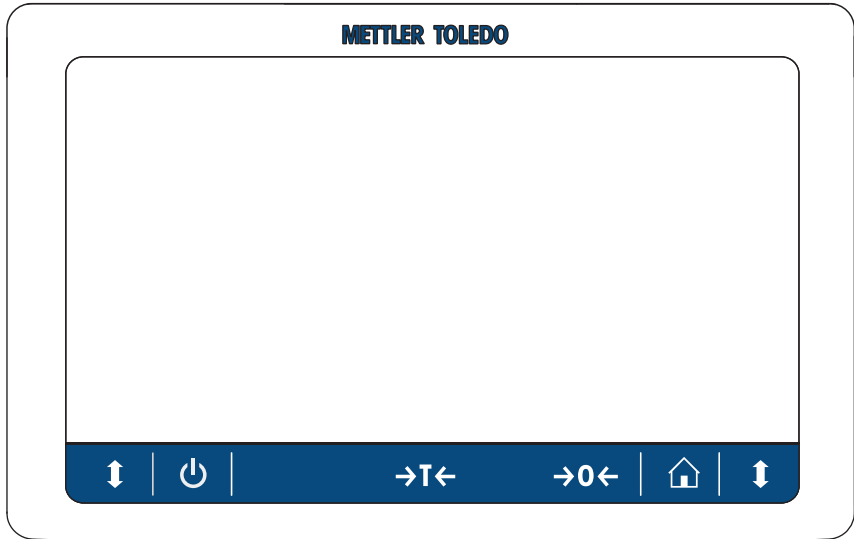
zh

<b>1</b>	StatusLight	<b>7</b>	水平调节脚
<b>2</b>	端子编号	<b>8</b>	以太网端口
<b>3</b>	防蒸发阱门	<b>9</b>	USB-A端口（接设备）
<b>4</b>	光电传感器	<b>10</b>	显示操作终端连接线插座
<b>5</b>	天平型号牌	<b>11</b>	USB-B端口（接主机）
<b>6</b>	移液底座	<b>12</b>	交流/直流适配器插座





ja

<b>1</b>	StatusLight	<b>7</b>	水平調整脚
<b>2</b>	ターミナル	<b>8</b>	イーサネットポート
<b>3</b>	モイスチャートラップドア	<b>9</b>	USB-Aポート（デバイスへ）
<b>4</b>	ライトバリア	<b>10</b>	ターミナル接続ケーブル用ソケット
<b>5</b>	天びんタイププレート	<b>11</b>	USB-Bポート（ホストへ）
<b>6</b>	ピペティングベース	<b>12</b>	AC/DCアダプタ用ソケット



## Overview terminal



en

	Name	Description
	Standby	By tapping  , the balance is not completely switched off but goes into standby mode. To switch the balance completely off, it must be unplugged from the power supply.  <b>Note</b> Do not disconnect the balance from the power supply unless the balance is not used for an extended period of time. After switching on the instrument, it must warm up before giving accurate results.
→T←	Tare	Tares the balance.  This function is used between subsequent measurements. After taring the balance, the screen shows <b>net</b> which indicates that all displayed weights are net.
→0←	Zero	Zeroes the balance.  The balance must always be zeroed before starting the weighing process. After zeroing, the balance sets a new zero point.
	Home	To return from any menu level to the main weighing screen.
	Open/close door	Opens or closes the evaporation trap door.

de

	Bezeichnung	Beschreibung
	Standby	Durch Antippen von  wird die Waage nicht komplett ausgeschaltet, sondern in den Standby-Modus umgeschaltet. Um die Waage vollständig auszuschalten, muss diese von der Stromversorgung getrennt werden.  <b>Hinweis</b> Trennen Sie die Waage nur von der Stromversorgung, wenn Sie für längere Zeit nicht damit arbeiten. Nach dem Einschalten des Gerätes muss dieses zunächst aufwärmen, bevor genaue Resultate angezeigt werden.


	Bezeichnung	Beschreibung
	Tarieren	Tariert die Waage. Diese Funktion wird zwischen aufeinanderfolgenden Messungen verwendet. Nach dem Tarieren der Waage wird auf dem Bildschirm <b>Net</b> angezeigt, was bedeutet, dass alle angezeigten Werte Nettowerte sind.
	Null	Stellt die Waage auf null. Vor Beginn des Wägeprozesses muss die Waage immer auf null gestellt werden. Nach der Nullstellung wird von der Waage ein neuer Nullpunkt eingestellt.
	Home	Mit dieser Taste gelangen Sie aus jeder beliebigen Menüebene wieder zurück auf den Hauptbildschirm.
	Tür öffnen/schließen	Öffnet oder schließt die Verdunstungsfallenür.

es




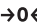


	Nombre	Descripción
	Standby	Al pulsar el botón  , la balanza no se apaga del todo, sino que pasa al modo de reposo. Para apagar la balanza por completo, es necesario desconectarla de la fuente de alimentación. <b>Nota</b> No desconecte la balanza de la fuente de alimentación a menos que no vaya a utilizarla durante un periodo de tiempo prolongado. Después de encender el instrumento, deberá calentarse para poder ofrecer resultados exactos.
	Tara	Tara la balanza. Esta función se utiliza entre las mediciones posteriores. Después de tarar la balanza, en la pantalla se muestra <b>Net</b> para indicar que todos los pesos visualizados son netos.
	Cero	Realiza la puesta a cero de la balanza. La balanza debe ponerse siempre a cero antes de iniciar el proceso de pesaje. Tras la puesta a cero, la balanza establece una nueva señal cero.
	Inicio	Para regresar desde cualquier nivel de menú a la pantalla de pesaje principal.
	Abrir/cerrar puerta	Abre o cierra la puerta de la trampa de evaporación.

fr




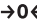


	Nom	Description
	Veille	Lorsque vous appuyez sur  , la balance entre en mode veille, elle ne s'éteint pas complètement. Pour éteindre complètement la balance, vous devez la débrancher de l'alimentation. <b>Remarque</b> Laissez la balance branchée sur secteur, sauf si elle n'est pas utilisée pendant une période prolongée. Une fois l'instrument mis sous tension, celui-ci doit préchauffer avant de donner des résultats précis.
	Tare	Tare la balance. Cette fonction est utilisée entre des mesures consécutives. Une fois la balance tarée, l'écran affiche <b>Net</b> , ce qui indique que tous les poids affichés sont nets.
	Zéro	Permet de mettre la balance à zéro. La balance doit toujours être remise à zéro avant de commencer le procédé de pesage. Après la remise à zéro, la balance définit un nouveau point zéro.
	Accueil	Retour à l'écran de pesage principal à partir d'un menu quelconque.

	Nom	Description
	Ouvrir/Fermer la porte	Ouvre ou ferme la porte du piège anti-évaporation.

zh

	名称	描述
	待机	通过点按  , 天平不会完全处于关闭状态, 但可以进入待机模式。如果要完全关闭天平, 则必须断开电源。 <b>信息</b> 除非长时间不使用天平, 否则请勿断开天平与电源。开启仪器后, 必须先进行预热, 才能获得准确的结果。
	去皮	天平去皮重。 此功能用于后续测量之间。在对天平去皮之后, 屏幕将显示Net, 其表示所有显示的称量值均为净值。
	归零	天平置零。 在开始称量过程前, 天平必须归零。在归零之后, 天平将设置新的零点。
	主页	从任何菜单级返回称量主界面。
	开门/关门	打开/关闭防蒸发阱门。

ja

	名称	説明
	スタンバイ	 をタップすると、天びんの電源は完全にオフにならず、スタンバイモードになります。天びんの電源を完全にオフにするには、電源から切り離す必要があります。 <b>備考</b> 長期間天びんを使用しない場合を除き、天びんを電源から切り離さないでください。装置の電源を入れた後、正確な結果を出す前にウォームアップする必要があります。
	風袋引き	天びんの風袋引きを行います。 この機能は、次の測定の間を使用します。天びんの風袋引きが終了すると、スクリーンに、表示重量がすべて正味重量であることを示すNetが表示されます。
	ゼロ点設定	天びんのゼロ点を設定します。 計量プロセスを開始する前に、天びんを必ずゼロに設定します。天びんは新しいゼロ点を設定します。
	ホーム	メニュー レベルの画面から計量のメイン画面に戻る
	ドアを開きます/閉じます	モイスチャートラップのドアを開閉します。



---

User Manual **Pipette Calibration Balances**

---

English

Benutzerhandbuch **Waagen für die Kalibrierung von Pipetten**

---

Deutsch

Manual de usuario **Balanzas de calibración de pipetas**

---

Español

Guide de l'utilisateur **Balances pour l'étalonnage de pipettes**

---

Français

用户手册 **移液器校准天平**

---

简体中文

ユーザマニュアル **ピペット校正天びん**

---

日本語



# Table of Contents

<b>1</b>	<b>Introduction</b>	<b>3</b>
1.1	Further documents and information .....	3
1.2	Acronyms and abbreviations .....	3
1.3	Compliance information .....	3
<b>2</b>	<b>Safety Information</b>	<b>4</b>
2.1	Definitions of signal words and warning symbols .....	4
2.2	Product-specific safety information .....	4
<b>3</b>	<b>Design and Function</b>	<b>5</b>
3.1	Overview .....	5
3.2	User interface .....	6
3.2.1	Main sections at a glance .....	6
3.2.2	Main weighing screen .....	6
<b>4</b>	<b>Installation and Putting into Operation</b>	<b>7</b>
4.1	Selecting the location .....	7
4.2	Unpacking the balance .....	8
4.3	Scope of delivery .....	10
4.3.1	Balance .....	10
4.3.2	Documentation .....	10
4.3.3	Calibration kit .....	10
4.4	Installation .....	11
4.4.1	Attaching the terminal .....	11
4.4.2	Assembling the balance .....	12
4.5	Putting into operation .....	13
4.5.1	Connecting the balance .....	13
4.5.2	Switching on the balance .....	14
4.5.3	Leveling the balance .....	14
4.5.4	Performing an internal adjustment .....	14
4.5.5	Performing a function check .....	14
4.5.6	Setting the balance to standby mode .....	15
4.5.7	Switching off the balance .....	15
4.6	Performing a pipetting cycle .....	15
4.6.1	Filling the evaporation trap container .....	15
4.6.2	Zeroing the balance .....	15
4.6.3	Taring the balance .....	16
4.6.4	Performing a pipetting cycle .....	16
4.6.5	Completing the weighing .....	16
4.6.6	Emptying the pipetting container .....	16
4.7	Transporting, packing and storing .....	16
4.7.1	Transporting the balance over short distances .....	16
4.7.2	Transporting the balance over long distances .....	17
4.7.3	Packing and storing .....	17
<b>5</b>	<b>Maintenance</b>	<b>17</b>
5.1	Maintenance tasks .....	17
5.2	Emptying the containers .....	18
5.2.1	Assembling the pump .....	18
5.2.2	Emptying the pipetting container .....	18
5.2.3	Emptying the evaporation trap container .....	19
5.3	Cleaning .....	20
5.3.1	Disassembling for cleaning .....	20
5.3.2	Cleaning the balance .....	20

5.3.3	Cleaning after an overflow .....	21
5.3.4	Putting into operation after cleaning.....	21
<b>6</b>	<b>Technical Data</b>	<b>21</b>
6.1	General data .....	21
<b>7</b>	<b>Disposal</b>	<b>22</b>

## 1 Introduction

Thank you for choosing a METTLER TOLEDO balance. The balance combines high performance with ease of use.

### EULA

The software in this product is licensed under the METTLER TOLEDO End User License Agreement (EULA) for Software.

► [www.mt.com/EULA](http://www.mt.com/EULA)

When using this product you agree to the terms of the EULA.

### 1.1 Further documents and information

This document is available in other languages online.

► [www.mt.com/pjpcal](http://www.mt.com/pjpcal)

Instructions for cleaning a balance: "8 Steps to a Clean Balance"

► [www.mt.com/lab-cleaning-guide](http://www.mt.com/lab-cleaning-guide)

Search for software downloads

► [www.mt.com/labweighing-software-download](http://www.mt.com/labweighing-software-download)

Search for documents

► [www.mt.com/library](http://www.mt.com/library)

For further questions, please contact your authorized METTLER TOLEDO dealer or service representative.

► [www.mt.com/contact](http://www.mt.com/contact)

### 1.2 Acronyms and abbreviations

Original term	Explanation
ASTM	American Society for Testing and Materials
EMC	Electromagnetic Compatibility
FCC	Federal Communications Commission
GWP	Good Weighing Practice
ID	Identification
LPS	Limited Power Source
MT-SICS	METTLER TOLEDO Standard Interface Command Set
NA	Not Applicable
OIML	Organisation Internationale de Métrologie Légale (International Organization of Legal Metrology)
RFID	Radio-frequency identification
RM	Reference Manual
sd	Standard deviation
SELV	Safety Extra Low Voltage
SOP	Standard Operating Procedure
SQC	Statistical Quality Control
UM	User Manual
USB	Universal Serial Bus
USP	United States Pharmacopeia

### 1.3 Compliance information

National approval documents, e.g., the FCC Supplier Declaration of Conformity, are available online and/or included in the packaging.

► <http://www.mt.com/ComplianceSearch>



For further information, consult the Reference Manual (RM).

► [www.mt.com/XPR26PC-RM](http://www.mt.com/XPR26PC-RM)

## 2 Safety Information

Two documents named "User Manual" and "Reference Manual" are available for this instrument.

- The User Manual is printed and delivered with the instrument.
- The electronic Reference Manual contains a full description of the instrument and its use.
- Keep both documents for future reference.
- Include both documents if you transfer the instrument to other parties.

Only use the instrument according to the User Manual and the Reference Manual. If you do not use the instrument according to these documents or if the instrument is modified, the safety of the instrument may be impaired and Mettler-Toledo GmbH assumes no liability.

### 2.1 Definitions of signal words and warning symbols

Safety notes contain important information on safety issues. Ignoring the safety notes may lead to personal injury, damage to the instrument, malfunctions and false results. Safety notes are marked with the following signal words and warning symbols:

#### Signal words

<b>DANGER</b>	A hazardous situation with high risk, resulting in death or severe injury if not avoided.
<b>WARNING</b>	A hazardous situation with medium risk, possibly resulting in death or severe injury if not avoided.
<b>CAUTION</b>	A hazardous situation with low risk, resulting in minor or moderate injury if not avoided.
<b>NOTICE</b>	A hazardous situation with low risk, resulting in damage to the instrument, other material damage, malfunctions and erroneous results, or loss of data.

#### Warning symbols



General hazard



Notice

### 2.2 Product-specific safety information

#### Intended use

This instrument is designed to be used by trained staff. The instrument is intended for weighing purposes.

Any other type of use and operation beyond the limits of use stated by Mettler-Toledo GmbH without consent from Mettler-Toledo GmbH is considered as not intended.

#### Responsibilities of the instrument owner

The instrument owner is the person holding the legal title to the instrument and who uses the instrument or authorizes any person to use it, or the person who is deemed by law to be the operator of the instrument. The instrument owner is responsible for the safety of all users of the instrument and third parties.

Mettler-Toledo GmbH assumes that the instrument owner trains users to safely use the instrument in their workplace and deal with potential hazards. Mettler-Toledo GmbH assumes that the instrument owner provides the necessary protective gear.

## Safety notes



### **WARNING**

#### **Death or serious injury due to electric shock**

Contact with parts that carry a live current can lead to death or injury.

- 1 Only use the METTLER TOLEDO power cable and AC/DC adapter designed for your instrument.
- 2 Connect the power cable to a grounded power outlet.
- 3 Keep all electrical cables and connections away from liquids and moisture.
- 4 Check the cables and the power plug for damage and replace them if damaged.



### **NOTICE**

#### **Damage to the instrument or malfunction due to the use of unsuitable parts**

- Only use parts from METTLER TOLEDO that are intended to be used with your instrument.

A list of spare parts and accessories can be found in the Reference Manual.

## 3 Design and Function



For further information, consult the Reference Manual (RM).

► [www.mt.com/XPR26PC-RM](http://www.mt.com/XPR26PC-RM)

### 3.1 Overview

See the sections "Overview" (graphics and legend) at the very beginning of this manual.

## 3.2 User interface

### 3.2.1 Main sections at a glance

The main weighing screen (1) is the central navigation point where all the menus and settings can be found. The **Balance menu** (2), **Methods** (3) and **Protocol** (4) open when tapping the drawers along the sides of the main weighing screen.



See also

▫ Main weighing screen ▶ Page 6

### 3.2.2 Main weighing screen



	Name	Description
1	User name	Shows the name of the current user.
2	Weighing value field	Shows the current weighing value.



	Name	Description
3	Level indicator	Indicates if the balance is leveled (green) or not (red).
4	<b>Methods</b> menu	Accesses the user-defined list of methods, tests, and alignments.
5	<b>Info weight</b>	Shows the current weighing value in another unit.
6	Warning and error message area	Shows current warning and/or error messages.
7	Drawer <b>Protocol</b>	Shows the recent weighing results.
8	Sample status <b>OK</b>	Result status indicator green: indicates that the result fulfills a set of criteria. For example: <ul style="list-style-type: none"> <li>• The balance is in level.</li> <li>• The internal adjustment was performed and ok.</li> <li>• The weighing result is within the defined tolerance range (only if tolerance is defined).</li> </ul>
9	Sample status <b>Excluded</b>	Result status indicator black: indicates that the result was excluded from the protocol.
10	Sample status <b>Not OK</b>	Result status indicator red: indicates that the result criteria are not fulfilled, e.g., "The weighing result was out of the defined tolerances".
11	Button <b>Add to protocol</b>	Adds the result to the protocol. Depending on the selected method, the button can have different functions.
12	Action bar	Contains actions referring to the current task.
13	<b>Balance menu</b>	Accesses the balance properties.
14	Method information area	Contains information about the sample, method or task IDs.
15	SmartTrac	Used as a weighing aid to define a target weight with upper and lower tolerances.
16	Weighing value area	Shows the results of the current weighing process.
17	<b>Method name</b>	Shows the name of the current method.

## 4 Installation and Putting into Operation

### 4.1 Selecting the location

A balance is a sensitive precision instrument. The location where it is placed will have a profound effect on the accuracy of the weighing results.

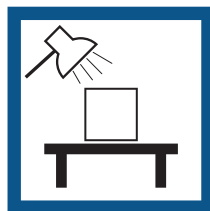
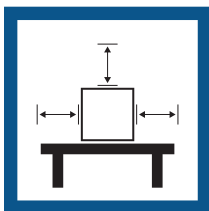
#### Requirements of the location

Place indoors on stable table

Ensure sufficient spacing

Level the instrument

Provide adequate lighting



Avoid direct sunlight

Avoid vibrations

Avoid strong drafts

Avoid temperature fluctuations



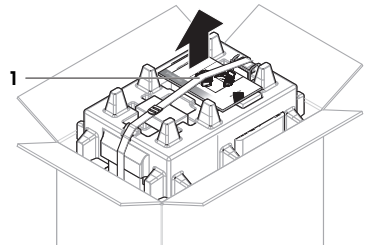
Sufficient spacing for balances: > 15 cm all around the instrument

Take into account the environmental conditions. See "Technical Data".

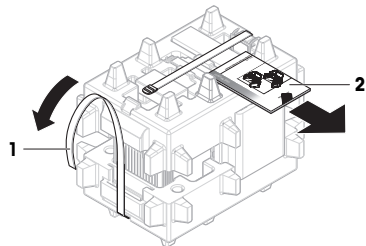
## 4.2 Unpacking the balance

Check the package, the packaging elements and the delivered components for damages. If any components are damaged, please contact your METTLER TOLEDO service representative.

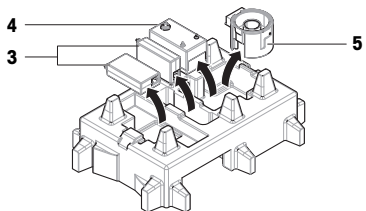
- 1 Open the box and lift the package out using the lifting strap (1).



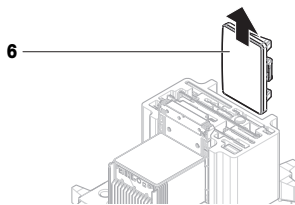
- 2 Open the lifting strap (1) and remove the User Manual (2).



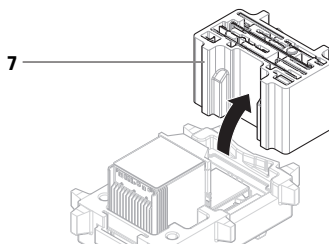
- 3 Remove the upper part of the package and remove the AC/DC adapters (3) and power cables, the pump (4), and the pipetting base with the evaporation trap container (5).



4 Carefully remove the terminal (6).



5 Carefully remove the package set with the calibration kit and other small items (7).

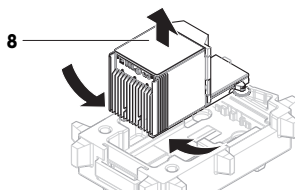


6 Carefully remove the weighing unit (8) from the bottom packaging.

7 Remove the protective bag.

8 Store all parts of the packaging in a safe place for future use.

➔ The weighing unit is ready for assembling.

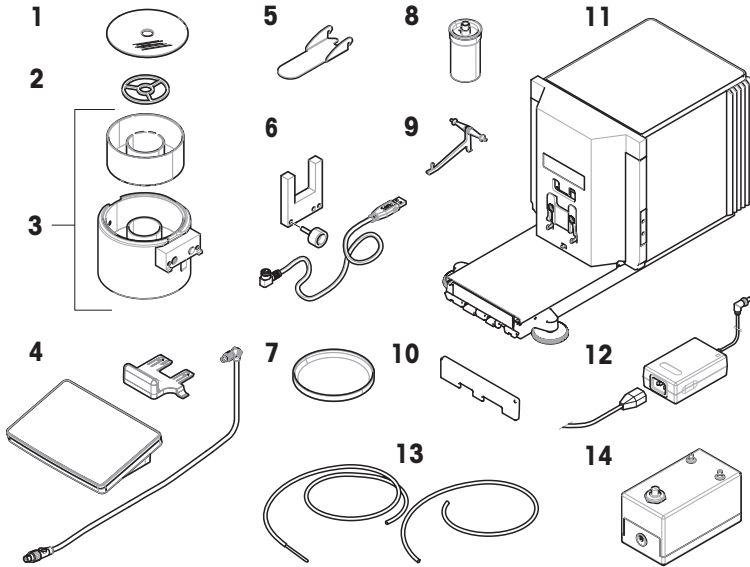


**See also**

📄 Transporting, packing and storing ▶ Page 16

### 4.3 Scope of delivery

#### 4.3.1 Balance

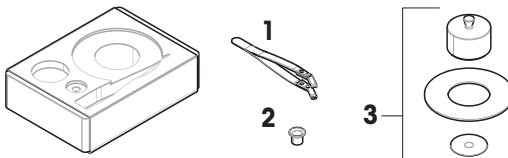


1	Evaporation trap cover	7	Drip tray
2	Centering ring	8	Pipetting container and tube
3	Pipetting base with light barrier spacer and evaporation trap container	9	Support for pipetting container
4	Terminal with terminal holder and connection cable	10	Front cover
5	Evaporation trap door	11	Weighing unit
6	Light barrier, fixing screw and cable	12	AC/DC adapter with country-specific power cable, 2 pcs
13	Pump tubes, 2 pcs (one tube with probe)	14	Pump

#### 4.3.2 Documentation

- User Manual
- Declaration of Conformity
- Production certificate

#### 4.3.3 Calibration kit



1	Tweezers	3	Weighing pan, large, with cover ring and draft shield
2	Weighing pan, small		

## 4.4 Installation

### 4.4.1 Attaching the terminal

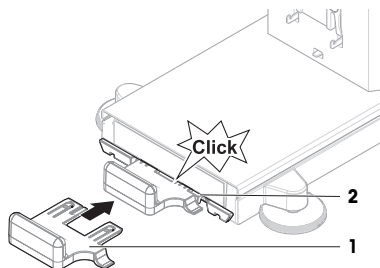


#### NOTICE

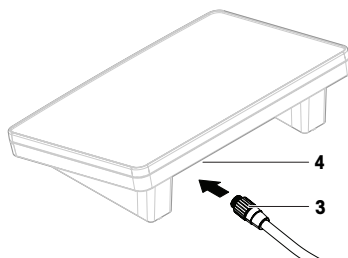
##### Damage to the cables due to careless handling

- Do not kink or twist the cables.

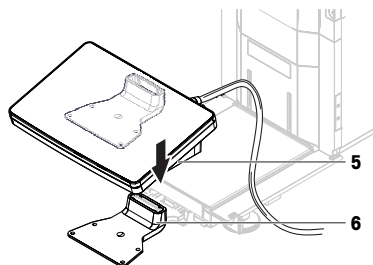
- 1 Insert the slides of the display holder (1) into the front of the weighing unit (2).



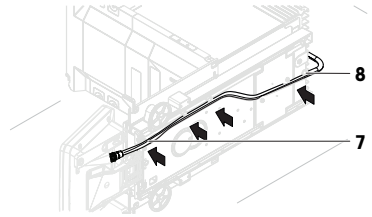
- 2 Connect the terminal cable (3) with the terminal (4). Consider the pin assignment.



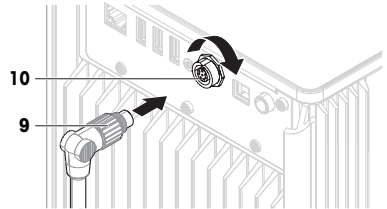
- 3 Place the terminal (5) onto the terminal holder (6).



- 4 Carefully tilt the balance to its side.
- 5 Lead the cable (7) through the cable channel (8).
- 6 Carefully put the balance back on its feet.

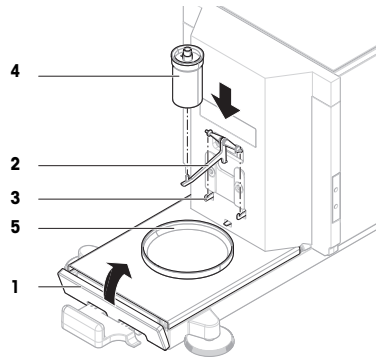


- 7 Insert the terminal cable (9) into the socket of the balance (10). Consider the pin assignment.
- ➔ The terminal is ready.

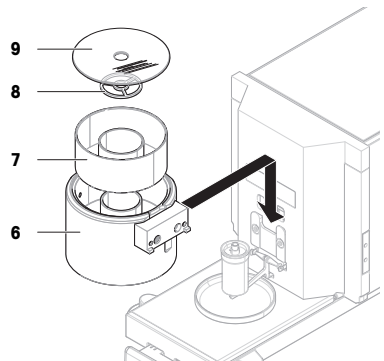


#### 4.4.2 Assembling the balance

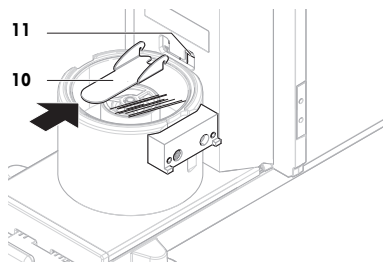
- 1 Install the front cover (1).
- 2 Carefully hang the pipetting container support (2) on the hooks (3).
  - ➔ The pipetting container support (2) hangs freely.
- 3 Carefully place the pipetting container (4) onto the pipetting container support (2).
- 4 Center the drip tray (5) underneath the pipetting container (4).



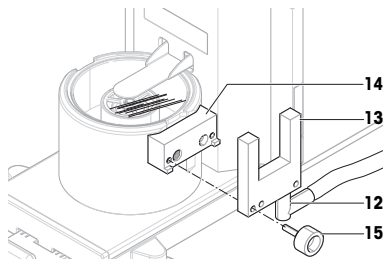
- 5 Carefully slide the pipetting base (6) with the evaporation trap container (7) vertically along the guiding rails and place it onto the drip tray.
  - ➔ The pipetting base centers the drip tray. It does not touch the pipetting container (5) or the pipetting container support (3).
- 6 Place the centering ring (8) onto the evaporation trap container (7).
- 7 Carefully place the evaporation trap cover (9) onto the evaporation trap container (7).



- 8 Slide the evaporation trap door (10) towards the back until it snaps in on the rod (11).



- 9 Connect the light barrier cable (12) to the light barrier (13).
- 10 Install the light barrier (13) on the light barrier spacer (14) using the fixing screw (15).



**Note**

By default, the light barrier and the light barrier spacer are installed on the right side of the pipetting base. Alternatively, these items can be installed on the left side of the pipetting base.

- 11 Guide the light barrier cable (12) along the side of the balance, below the side cover.
- 12 Connect the light barrier cable (12) to one of the USB-A ports on the back side of the balance.
- ➔ The balance is assembled and ready to be put into operation.

## 4.5 Putting into operation

### 4.5.1 Connecting the balance



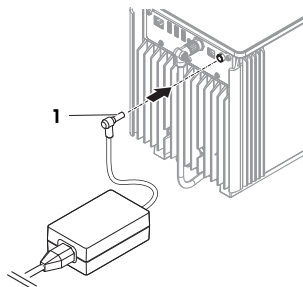
#### **WARNING**

##### **Death or serious injury due to electric shock**

Contact with parts that carry a live current can lead to death or injury.

- 1 Only use the METTLER TOLEDO power cable and AC/DC adapter designed for your instrument.
- 2 Connect the power cable to a grounded power outlet.
- 3 Keep all electrical cables and connections away from liquids and moisture.
- 4 Check the cables and the power plug for damage and replace them if damaged.

- 1 Install the cables in such a way that they cannot be damaged or interfere with operation.
- 2 Insert the plug of the AC/DC adapter (1) into the power socket of the instrument.
- 3 Secure the plug by firmly tightening the knurled nut.
- 4 Insert the plug of the power cable into a grounded power outlet that is easily accessible.



**Note**

Do not connect the instrument to a power outlet controlled by a switch. After switching on the instrument, it must warm up before giving accurate results.

## See also

📄 General data ▶ Page 21

### 4.5.2 Switching on the balance


#### EULA (End User License Agreement)

When the balance is switched on the first time, the EULA (End User License Agreement) appears on the screen.

- 1 Read the conditions.
- 2 Tap **I accept the terms in the license agreement.** and confirm with **✓ OK.**

#### Warming up

Before the balance gives reliable results, it must warm up. This takes at least 120 minutes after connecting the balance. When the balance is switched on from standby, it is ready immediately.

- The balance has warmed up.
- Press .
  - ➔ The main weighing screen appears.

When the balance is switched on, the main weighing screen appears. The display will always show the screen of the method last used before switching it off.

### 4.5.3 Leveling the balance

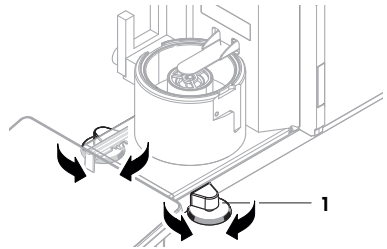
Exact horizontal and stable positioning are essential for repeatable and accurate weighing results.

If the message **Balance is out of level** appears:



- 1 Tap **▶ Level the balance.**
  - ➔ The **Leveling aid** opens.
- 2 Turn both leveling feet (**1**) as instructed on the display until the dot is in the center of the level indicator.

The leveling aid can also be accessed through the **Balance menu**:

**Navigation:** ▶ **Balance menu** >  **Leveling aid**



### 4.5.4 Performing an internal adjustment

- The adjustment **Strategy** is set to **Internal adjustment.**
- 1 Open the **Methods** section, tap , select the adjustment, and tap **▶ Start**
    - or -
    - from the main weighing screen, tap **⋮ More** and tap **Start adjustment.**
      - ➔ **Internal adjustment** is being executed.
      - ➔ When the adjustment has been completed, an overview of the adjustment results appears.
  - 2 Tap  **Print** if you want to print the results.
  - 3 Tap **✓ Finish adjustment.**
    - ➔ The balance is ready.

### 4.5.5 Performing a function check

To perform a function check, use the calibration kit delivered with the balance.



For further information, consult the Reference Manual (RM).

▶ [www.mt.com/XPR26PC-RM](http://www.mt.com/XPR26PC-RM)



#### 4.5.6 Setting the balance to standby mode

The balance can be set to standby mode by holding **⏻**. Exit the standby mode by holding **⏻** again.

#### 4.5.7 Switching off the balance

To completely switch off the balance, it must be disconnected from the power supply. By holding **⏻**, the balance goes only into standby mode.



#### Note

When the balance was completely switched off for some time, it must warm up before it can be used.

#### See also

Switching on the balance ▶ Page 14

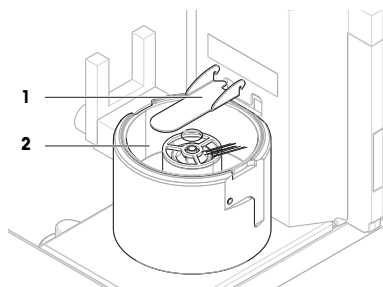
### 4.6 Performing a pipetting cycle

To calibrate the pipette, distilled water must be used. The volume of the liquid is checked by gravimetric testing.

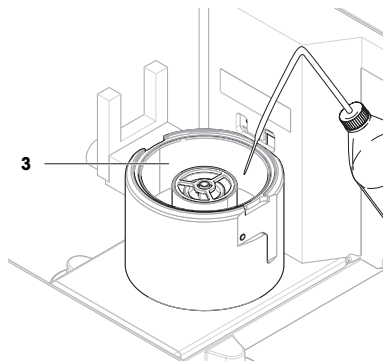
#### 4.6.1 Filling the evaporation trap container

The evaporation trap includes a container that should be filled with water. When the evaporation trap is closed, the humidity inside increases until the air is saturated. This prevents evaporation of the liquid in the pipetting container and ensures accurate weighing results.

- 1 Remove the evaporation trap door (1).
- 2 Carefully remove the evaporation trap cover (2).



- 3 Fill the evaporation trap container (3) with distilled water.
  - ➔ The evaporation trap container is at least half full (maximum 70 ml).
- 4 Reassemble the balance.
  - ➔ The evaporation trap door (1) is closed.
- 5 Wait at least **120 minutes** to allow the air in the evaporation trap to reach saturation.



#### 4.6.2 Zeroing the balance

- Press **→0←** to zero the balance.
- ➔ The balance is zeroed.

### 4.6.3 Taring the balance

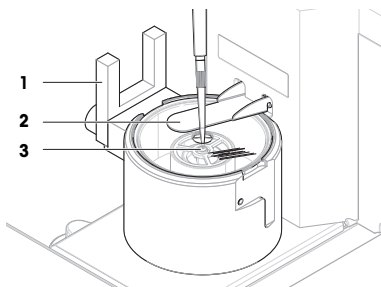
Before a subsequent measurement, the balance must be tared.

- Press →**T**← to tare the balance.
- ➔ The balance is tared. The icon **Net** appears.

### 4.6.4 Performing a pipetting cycle

- The pipette to be calibrated is prepared and set to the target volume.

- 1 Use the pipette to aspirate the target volume of distilled water.
- 2 Activate the light barrier (1), or press ↓.
  - ➔ The evaporation trap door (2) opens.
- 3 Dispense the liquid into the pipetting container (3).
- 4 Activate the light barrier (1), or press ↓.
  - ➔ The evaporation trap door (2) closes.
  - ➔ The weighing result is displayed.
- 5 Tap **+** **Add to protocol** if you want to report the weighing result.
  - ➔ The weight value is listed in the **Protocol**.



### 4.6.5 Completing the weighing

- 1 To save the **Protocol**, tap **Complete**.
  - ➔ The window **Complete task** opens.
- 2 Select an option to save or print the **Protocol**.
  - ➔ The respective dialog opens.
- 3 Follow the instructions from the wizard.
- 4 Tap **✓ Complete**.
  - ➔ The **Protocol** is saved/printed and then cleared.

### 4.6.6 Emptying the pipetting container

Regularly empty the pipetting container to prevent an overflow.

#### See also

- 📖 Emptying the pipetting container ▶ Page 18
- 📖 Cleaning after an overflow ▶ Page 21

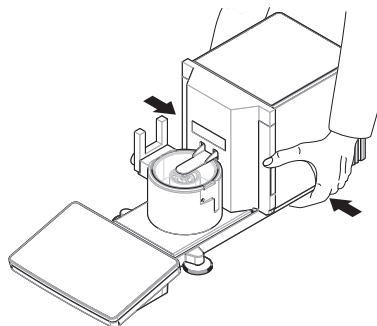
## 4.7 Transporting, packing and storing

### 4.7.1 Transporting the balance over short distances





- 1 Disconnect the AC/DC adapter and unplug all interface cables.
- 2 Hold the weighing platform with both hands and carry the balance in horizontal position to the target location.
  - Consider the requirements of the location.

If you want put the balance into operation, proceed as follows:

- 1 Connect in reverse order.
- 2 Give the balance sufficient time to warm up.
- 3 Level the balance.
- 4 Perform an internal adjustment.




**See also**

-  Selecting the location ▶ Page 7
-  Switching on the balance ▶ Page 14
-  Leveling the balance ▶ Page 14
-  Performing an internal adjustment ▶ Page 14

**4.7.2 Transporting the balance over long distances**

METTLER TOLEDO recommends using the original packaging for transportation or shipment of the balance or balance components over long distances. The elements of the original packaging are developed specifically for the balance and its components and ensure maximum protection during transportation.

**See also**

-  Unpacking the balance ▶ Page 8

**4.7.3 Packing and storing****Packing the balance**

Store all parts of packaging in a safe place. The elements of the original packaging are developed specifically for the balance and its components, and ensures maximum protection during transportation and storage.

**Storing the balance**

Only store the balance under the following conditions:

- Indoor and in the original packaging
- According to the environmental conditions, see "Technical Data"

**Note**

When storing for longer than 6 months, the rechargeable battery may become empty (only date and time get lost).

**See also**

-  Technical Data ▶ Page 21

**5 Maintenance**

To guarantee the functionality of the balance and the accuracy of the weighing results, a number of maintenance actions must be performed by the user.



For further information, consult the Reference Manual (RM).

▶ [www.mt.com/XPR26PC-RM](http://www.mt.com/XPR26PC-RM)

**5.1 Maintenance tasks**

Maintenance action	Recommended interval	Remarks
Performing an internal adjustment	<ul style="list-style-type: none"> <li>• Daily</li> <li>• After cleaning</li> <li>• After leveling</li> <li>• After changing the location</li> </ul>	see "Performing an internal adjustment"
Performing routine tests (eccentricity test, repeatability test, sensitivity test). METTLER TOLEDO recommends to at least perform a sensitivity test.	<ul style="list-style-type: none"> <li>• After cleaning</li> <li>• After assembling the balance</li> <li>• After a software update</li> <li>• Depending on your internal regulations (SOP)</li> </ul>	see "Tests" in the Reference Manual

Maintenance action	Recommended interval	Remarks
Emptying the containers	<ul style="list-style-type: none"> <li>Depending on the frequency of usage of the instrument</li> <li>Depending on your internal regulations (SOP)</li> </ul>	see "Emptying the containers"
Cleaning	<ul style="list-style-type: none"> <li>After every use</li> <li>Depending on the degree of pollution</li> <li>Depending on your internal regulations (SOP)</li> </ul>	see "Cleaning"
Updating the software	<ul style="list-style-type: none"> <li>Depending on your internal regulations (SOP).</li> <li>After a new software release.</li> </ul>	see "Software update" in the Reference Manual

### See also

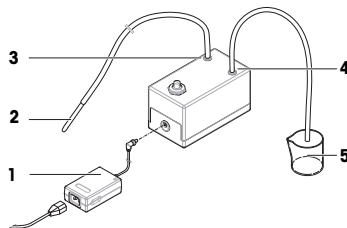
- 📄 Performing an internal adjustment ▶ Page 14
- 📄 Cleaning ▶ Page 20
- 📄 Emptying the containers ▶ Page 18

## 5.2 Emptying the containers

### 5.2.1 Assembling the pump

During normal usage, the pipetting container and the evaporation trap container are filled with water. The pump serves to remove the water in a safe and efficient manner, without having to disassemble the instrument. The inlet tube has a probe attached for easier handling. The outlet tube serves to dispose of the aspirated liquid.

- 1 Install the cables in such a way that they cannot be damaged or interfere with operation.
- 2 Insert the plug of the AC/DC adapter (1) into the power socket.
- 3 Secure the plug by firmly tightening the knurled nut.
- 4 Insert the plug of the power cable into a grounded power outlet that is easily accessible.
- 5 Connect the pump tube with the probe (2) to the nozzle IN (3).
- 6 Connect the other pump tube to the nozzle OUT (4).
- 7 Place the free end of the tube into a container suitable for liquid waste (5).



### 5.2.2 Emptying the pipetting container


The pipetting container must be regularly emptied to prevent an overflow.

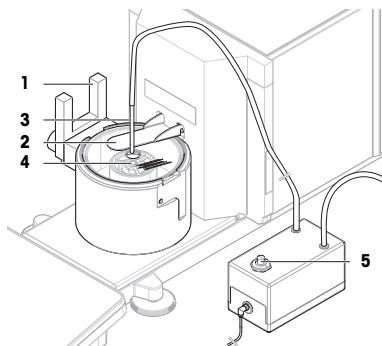


#### NOTICE

##### Damage to the pump due to inappropriate handling

- If the pump is switched on when it is not in use, it can get damaged.
- Switch off the pump when it is not in use.

- The pump is assembled.
  - The outlet pump tube is placed in a container suitable for liquid waste.
- 1 Activate the light barrier (1), or press .
    - ➔ The evaporation trap door (2) opens.
  - 2 Introduce the pump probe (3) into the pipetting container (4).
  - 3 Switch on the pump (5).
    - ➔ The liquid is pumped out and collected in the container for liquid waste.
  - 4 Switch off the pump (5).
  - 5 Reassemble the balance.
    - ➔ The balance is ready to be used.



#### See also

-  Assembling the pump ▶ Page 18

### 5.2.3 Emptying the evaporation trap container



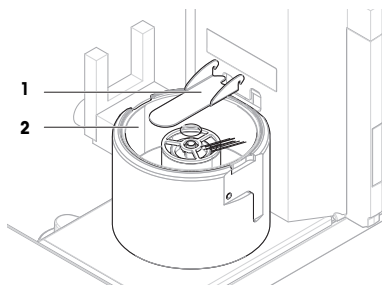
#### NOTICE

##### Damage to the pump due to inappropriate handling

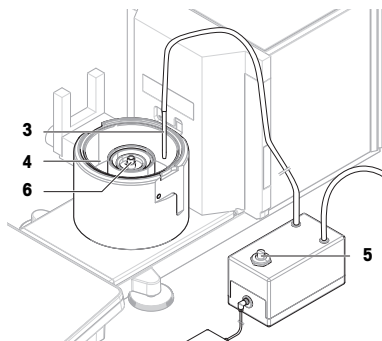
If the pump is switched on when it is not in use, it can get damaged.

- Switch off the pump when it is not in use.

- The pump is assembled.
  - The outlet pump tube is placed in a container suitable for liquid waste.
- 1 Remove the evaporation trap door (1).
  - 2 Carefully remove the evaporation trap cover (2).



- 3 Introduce the pump probe (3) into the evaporation trap container (4).
- 4 Switch on the pump (5).
  - ➔ The liquid is pumped out and collected in the container for liquid waste.
- 5 If required, use the pump to empty the pipetting container (6), see [Emptying the pipetting container ▶ Page 18].
- 6 Switch off the pump (5).
- 7 Alternatively, remove the evaporation trap container (4) to empty it.
- 8 Reassemble the balance.



#### See also

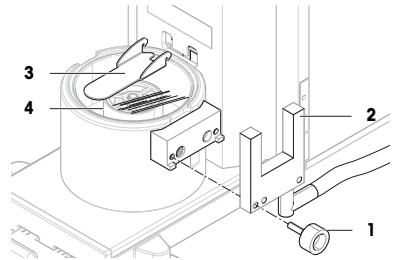
-  Assembling the pump ▶ Page 18

## 5.3 Cleaning

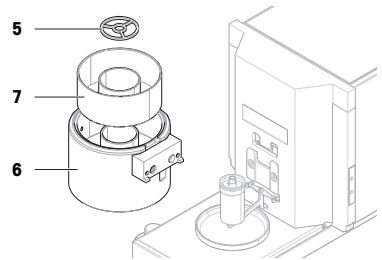
### 5.3.1 Disassembling for cleaning

- The containers are empty, see [Emptying the containers ▶ Page 18].
- The balance is switched off, see [Switching off the balance ▶ Page 15].

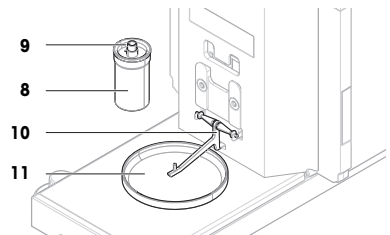
- 1 Remove the fixing screw (1) and put the light barrier (2) aside.
- 2 Remove the evaporation trap door (3).
- 3 Carefully remove the evaporation trap cover (4).



- 4 Remove the centering ring (5).
- 5 Carefully lift and remove the pipetting base (6) with the evaporation trap container (7).



- 6 Remove the pipetting container (8) and unscrew the cover holding the pipetting tube (9).
- 7 Carefully remove the pipetting container support (10).
- 8 Remove the drip tray (11).



### 5.3.2 Cleaning the balance



#### NOTICE

##### Damage to the instrument due to inappropriate cleaning methods

If liquid enters the housing, it can damage the instrument. The surface of the instrument can be damaged by certain cleaning agents, solvents, or abrasives.

- 1 Do not spray or pour liquid on the instrument.
- 2 Only use the cleaning agents specified in the Reference Manual (RM) of the instrument or the guide "8 Steps to a Clean Balance".
- 3 Only use a lightly moistened, lint-free cloth or a tissue to clean the instrument.
- 4 Wipe off any spills immediately.



For further information on cleaning a balance, consult "8 Steps to a Clean Balance".

**Cleaning around the balance**

- Remove any dirt or dust around the balance and avoid further contaminations.

**Cleaning the terminal**

- Clean the terminal with a damp cloth or a tissue and a mild cleaning agent.

**Cleaning the removable parts**

- Clean the removed part with a damp cloth or a tissue and a mild cleaning agent.

**Cleaning the weighing unit**

- 1 Disconnect the balance from the AC/DC adapter.
- 2 Use a lint-free cloth moistened with a mild cleaning agent to clean the surface of the balance.
- 3 Remove powder or dust with a disposable tissue first.
- 4 Remove sticky substances with a damp lint-free cloth and a mild solvent, e.g., isopropanol or ethanol 70%.

**5.3.3 Cleaning after an overflow**

In the event of an overflow, for example when overfilling the pipetting container, excess liquid must be removed immediately.

- 1 Use the pump to empty the evaporation trap container, see [Emptying the evaporation trap container ▶ Page 19].
- 2 Use the pump to empty the pipetting container, see [Emptying the pipetting container ▶ Page 18].
- 3 Disassemble the remaining items and clean them with a lint-free cloth or tissue, see [Disassembling for cleaning ▶ Page 20].
- 4 Reassemble the balance.

**See also**

- 📖 Assembling the pump ▶ Page 18

**5.3.4 Putting into operation after cleaning**

- 1 Reassemble the balance.
- 2 Check if the terminal is connected to the balance.
- 3 Reconnect the balance to the AC/DC adapter.
- 4 Check the level status, level the balance if necessary.
- 5 Respect the warm-up time specified in the "Technical Data".
- 6 Perform an internal adjustment.
- 7 Perform a routine test according to the internal regulations of your company. METTLER TOLEDO recommends to perform a sensitivity test after cleaning the balance.
- 8 Press **→O←** to zero the balance.
  - ➔ The balance is ready to be used.

**See also**

- 📖 Performing an internal adjustment ▶ Page 14

**6 Technical Data****6.1 General data****Power supply**

AC/DC adapter (model no. FSP060-DHAN3):

Input: 100 – 240 V AC ± 10%, 50 – 60 Hz, 1.8 A

Output: 12 V DC, 5 A, LPS, SELV

AC/DC adapter (model no. FSP060-DIBAN2):

Cable for AC/DC adapter:

Balance power consumption:

Polarity:

Input: 100 – 240 V AC  $\pm$  10%, 50 – 60 Hz, 1.5 A

Output: 12 V DC, 5 A, LPS, SELV

3-core, with country-specific plug

12 V DC  $\pm$  10%, 2.25 A



### Protection and standards

Overvoltage category:

II

Degree of pollution:

2

Standards for safety and EMC:

See Declaration of Conformity

Range of application:

Use only indoors in dry locations

### Environmental conditions

The limit values apply when the balance is used under the following environmental conditions:

Height above mean sea level:

Up to 5000 m

Ambient temperature:

+10 – +30 °C

Temperature change, max.:

5 °C/h

Relative air humidity:

30 – 70%, non-condensing

Acclimatization time:

At least **8 hours** after placing the instrument in the same location where it will be put into operation.

Warm-up time:

At least **120 minutes** after connecting the balance to the power supply. When switched on from standby, the instrument is ready for operation immediately.

The balance can be used under the following environmental conditions. However, the weighing performances of the balance may be outside the limit values:

Ambient temperature:

+5 – +40 °C

Relative air humidity:

20% to max. 80% at 31 °C, decreasing linearly to 50% at 40 °C, non-condensing

The balance can be disconnected and stored in its packaging under the following conditions:

Ambient temperature:

-25 – +70 °C

Relative air humidity:

10 – 90%, non-condensing

## 7 Disposal

In conformance with the European Directive 2012/19/EU on Waste Electrical and Electronic Equipment (WEEE) this device may not be disposed of in domestic waste. This also applies to countries outside the EU, per their specific requirements.



Please dispose of this product in accordance with local regulations at the collecting point specified for electrical and electronic equipment. If you have any questions, please contact the responsible authority or the distributor from which you purchased this device. Should this device be passed on to other parties, the content of this regulation must also be related.



# Inhaltsverzeichnis

<b>1</b>	<b>Einleitung</b>	<b>3</b>
1.1	Weitere Dokumente und Informationen .....	3
1.2	Akronyme und Abkürzungen .....	4
1.3	Informationen zur Konformität .....	4
<b>2</b>	<b>Sicherheitshinweise</b>	<b>4</b>
2.1	Definition von Signalwörtern und Warnzeichen .....	5
2.2	Produktspezifische Sicherheitshinweise.....	5
<b>3</b>	<b>Aufbau und Funktion</b>	<b>6</b>
3.1	Übersicht .....	6
3.2	Benutzeroberfläche.....	6
3.2.1	Die wichtigsten Menübereiche auf einen Blick .....	6
3.2.2	Hauptbildschirm der Waage .....	7
<b>4</b>	<b>Installation und Inbetriebnahme</b>	<b>8</b>
4.1	Wahl des Aufstellortes .....	8
4.2	Waage auspacken .....	9
4.3	Lieferumfang .....	11
4.3.1	Waage.....	11
4.3.2	Dokumentation .....	11
4.3.3	Kalibrierkit .....	11
4.4	Installation .....	12
4.4.1	Montage des Terminals .....	12
4.4.2	Montage der Waage .....	13
4.5	Inbetriebnahme.....	14
4.5.1	Anschließen der Waage .....	14
4.5.2	Einschalten der Waage .....	15
4.5.3	Nivellieren der Waage.....	15
4.5.4	Interne Justierung durchführen .....	15
4.5.5	Funktionsprüfung durchführen.....	16
4.5.6	Versetzen der Waage in den Stand-by-Modus .....	16
4.5.7	Ausschalten der Waage .....	16
4.6	Pipettierzyklus durchführen.....	16
4.6.1	Verdunstungsfallenbehälter befüllen.....	16
4.6.2	Nullstellen der Waage .....	17
4.6.3	Tarieren der Waage .....	17
4.6.4	Pipettierzyklus durchführen .....	17
4.6.5	Abschließen einer Wägung .....	17
4.6.6	Entleerung des Pipettiergefäßes.....	17
4.7	Transport, Verpackung und Lagerung .....	18
4.7.1	Transport der Waage über kurze Strecken.....	18
4.7.2	Die Waage über weite Strecken transportieren .....	18
4.7.3	Verpackung und Lagerung .....	18
<b>5</b>	<b>Wartung</b>	<b>19</b>
5.1	Wartungsaufgaben.....	19
5.2	Behälter entleeren .....	19
5.2.1	Aufbau der Pumpe.....	19
5.2.2	Entleerung des Pipettiergefäßes.....	20
5.2.3	Verdunstungsfallenbehälter entleeren .....	20
5.3	Reinigung .....	21
5.3.1	Demontage zur Reinigung .....	21
5.3.2	Reinigung der Waage .....	22

5.3.3	Reinigung nach Wasserüberlauf.....	23
5.3.4	Inbetriebnahme nach Reinigung.....	23
<b>6</b>	<b>Technische Daten</b>	<b>23</b>
6.1	Allgemeine Daten.....	23
<b>7</b>	<b>Entsorgung</b>	<b>24</b>

## 1 Einleitung

Vielen Dank, dass Sie sich für eine METTLER TOLEDO-Waage entschieden haben. Die Waage kombiniert Hochleistung mit einfacher Bedienung.

### EULA

Die Software in diesem Produkt ist unter der Endbenutzer-Lizenzvereinbarung (EULA) für Software von METTLER TOLEDO lizenziert.

► [www.mt.com/EULA](http://www.mt.com/EULA)

Wenn Sie dieses Produkt verwenden, stimmen Sie den Bedingungen gemäss EULA zu.

### 1.1 Weitere Dokumente und Informationen

Dieses Dokument ist online in anderen Sprachen verfügbar.

► [www.mt.com/pipcal](http://www.mt.com/pipcal)

Anleitung zur Reinigung einer Waage: "8 Steps to a Clean Balance"

► [www.mt.com/lab-cleaning-guide](http://www.mt.com/lab-cleaning-guide)

Software-Downloads suchen

► [www.mt.com/labweighing-software-download](http://www.mt.com/labweighing-software-download)

Dokumente suchen

► [www.mt.com/library](http://www.mt.com/library)

Wenden Sie sich bei weiteren Fragen an Ihren autorisierten METTLER TOLEDO Händler oder Servicevertreter.

► [www.mt.com/contact](http://www.mt.com/contact)

## 1.2 Akronyme und Abkürzungen

Originalbegriff	Übersetzter Begriff	Erklärung
ASTM		American Society for Testing and Materials
EMC	EMV	Electromagnetic Compatibility (Elektromagnetische Verträglichkeit)
FCC		Federal Communications Commission
GWP		Good Weighing Practice
ID		Identification (Kennzeichnung)
LPS		Limited Power Source (Begrenzte Energieversorgung)
MT-SICS		METTLER TOLEDO Standard Interface Command Set
NA		Not Applicable (Nicht zutreffend)
OIML		Organisation Internationale de Métrologie Légale (Internationale Organisation für das gesetzliche Messwesen)
RFID		Radio-frequency identification
RM		Reference Manual (Referenzhandbuch)
sd		Standard deviation
SELV		Safety Extra Low Voltage (Sicherheitskleinspannung)
SOP		Standard Operating Procedure
SQC		Statistical Quality Control (Statistische Qualitätskontrolle)
UM		User Manual (Benutzerhandbuch)
USB		Universal Serial Bus
USP		United States Pharmacopeia

## 1.3 Informationen zur Konformität

Nationale Zulassungsdokumente, wie z. B. die FCC-Konformitätsbescheinigung des Lieferanten, sind online verfügbar und/oder in der Verpackung enthalten.

► <http://www.mt.com/ComplianceSearch>



Ausführlichere Informationen finden Sie im Referenzhandbuch (RM).

► [www.mt.com/XPR26PC-RM](http://www.mt.com/XPR26PC-RM)

## 2 Sicherheitshinweise

Für dieses Instrument sind zwei Dokumente verfügbar, das „Benutzerhandbuch“ und das „Referenzhandbuch“.

- Das Benutzerhandbuch liegt in gedruckter Form dem Instrument bei.
- Das Referenzhandbuch liegt in Form einer Datei vor und enthält eine vollständige Beschreibung des Instruments und seiner Verwendung.
- Heben Sie beide Dokumente zur späteren Verwendung auf.
- Legen Sie beide Dokumente bei, wenn Sie das Instrument anderen zur Verfügung stellen.

Verwenden Sie das Instrument stets so, wie im Benutzerhandbuch und dem Referenzhandbuch beschrieben. Wenn das Instrument nicht gemäss dieser beiden Dokumente verwendet oder wenn es modifiziert wird, kann dies die Sicherheit des Instruments beeinträchtigen und die Mettler-Toledo GmbH übernimmt keine Haftung.

## 2.1 Definition von Signalwörtern und Warnzeichen

Sicherheitshinweise enthalten wichtige Informationen über Sicherheitsrisiken. Die Missachtung der Sicherheitshinweise kann zu persönlicher Gefährdung, Beschädigung des Geräts, Fehlfunktionen und falschen Ergebnissen führen. Sicherheitshinweise sind mit den folgenden Signalwörtern und Warnsymbolen gekennzeichnet:

### Signalwörter

<b>GEFAHR</b>	Bezeichnet eine Gefährdung mit hohem Risikograd, die den Tod oder eine schwere Verletzung zur Folge hat, wenn sie nicht vermieden wird.
<b>WARNUNG</b>	Bezeichnet eine Gefährdung mit mittlerem Risikograd, die den Tod oder eine schwere Verletzung zur Folge haben kann, wenn sie nicht vermieden wird.
<b>VORSICHT</b>	Bezeichnet eine Gefährdung mit niedrigerem Risikograd, die eine geringfügige oder mässige Verletzung zur Folge haben kann, wenn sie nicht vermieden wird.
<b>HINWEIS</b>	Bezeichnet eine Gefährdung mit geringem Risikograd, die zu Schäden am Instrument, anderen Materialschäden, Funktionsstörungen und fehlerhaften Resultaten oder Datenverlust führen kann.

### Warnzeichen



Allgemeine Gefahr



Hinweis

## 2.2 Produktspezifische Sicherheitshinweise

### Bestimmungsgemässe Verwendung

Dieses Gerät wurde dafür entwickelt, von geschultem Personal verwendet zu werden. Das Gerät ist für Wägezwecke vorgesehen.

Jegliche anderweitige Verwendung, die über die Grenzen der technischen Spezifikationen der Mettler-Toledo GmbH hinausgeht, gilt ohne schriftliche Absprache mit der Mettler-Toledo GmbH als nicht bestimmungsgemäss.

### Verantwortlichkeiten des Gerätebesitzers

Der Besitzer des Instruments ist die Person, die den Rechtsanspruch auf das Instrument hat und die das Instrument benutzt oder eine Person befugt, es zu benutzen, oder die Person, die per Gesetz dazu bestimmt wird, das Instrument zu bedienen. Der Besitzer des Instruments ist für die Sicherheit von allen Benutzern des Instruments und von Dritten verantwortlich.

Mettler-Toledo GmbH geht davon aus, dass der Besitzer des Instruments die Benutzer darin schult, das Instrument sicher an ihrem Arbeitsplatz zu benutzen und mit potentiellen Gefahren umzugehen. Mettler-Toledo GmbH geht davon aus, dass der Besitzer des Instruments für die notwendigen Schutzvorrichtungen sorgt.

## Sicherheitshinweise



### ⚠️ WARNUNG

#### Es besteht Lebensgefahr oder die Gefahr schwerer Verletzungen durch Stromschlag

Der Kontakt mit spannungsführenden Teilen kann zum Tod oder zu Verletzungen führen.

- 1 Verwenden Sie ausschließlich das Stromversorgungskabel und das AC/DC-Netzteil von METTLER TOLEDO, das gezielt für Ihr Instrument ausgelegt wurde.
- 2 Stecken Sie das Stromversorgungskabel in eine geerdete Steckdose.
- 3 Halten Sie alle elektrischen Kabel und Anschlüsse von Flüssigkeiten und Feuchtigkeit fern.
- 4 Überprüfen Sie die Kabel und den Netzstecker vor der Verwendung auf Beschädigungen und tauschen Sie diese bei Beschädigung aus.



### HINWEIS

#### Beschädigung des Gerätes oder Fehlfunktion durch den Einsatz nicht geeigneter Teile

- Verwenden Sie nur Teile von METTLER TOLEDO, die für die Verwendung mit Ihrem Gerät bestimmt sind.

Eine Ersatzteil- und Zubehörliste ist im Referenzhandbuch enthalten.

## 3 Aufbau und Funktion



Ausführlichere Informationen finden Sie im Referenzhandbuch (RM).

► [www.mt.com/XPR26PC-RM](http://www.mt.com/XPR26PC-RM)

### 3.1 Übersicht

Siehe die Abschnitte „Overview“ (Grafiken und Legenden) am Anfang dieses Handbuchs.

### 3.2 Benutzeroberfläche

#### 3.2.1 Die wichtigsten Menübereiche auf einen Blick

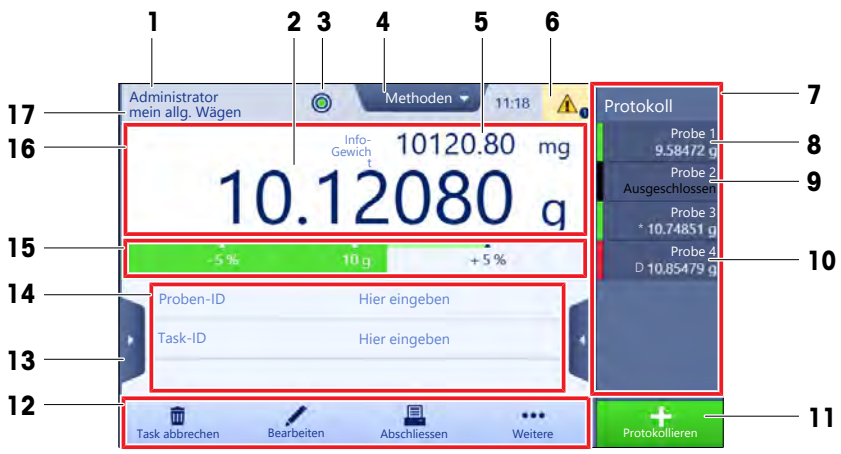
Der Hauptbildschirm (1) ist der zentrale Navigationspunkt, über den alle Menüs und Einstellungen erreichbar sind. Die Anzeigen **Waagenmenü** (2) **Methoden** (3) und **Protokoll** (4) lassen sich durch Antippen der Reiter an den Seiten des Hauptwägebildschirms öffnen.



**Sehen Sie dazu auch**

Hauptbildschirm der Waage ▶ Seite 7

**3.2.2 Hauptbildschirm der Waage**



Bezeichnung	Beschreibung
<b>1 Benutzername</b>	Zeigt den Namen des aktuellen Benutzers.
<b>2 Gewichtswertanzeige</b>	Zeigt das aktuelle Wägergebnis.
<b>3 Libelle</b>	Zeigt an, ob die Waage nivelliert ist (grün) oder nicht (rot).
<b>4 Methoden Menü</b>	Ermöglicht den Zugriff auf die benutzerdefinierte Liste der Methoden, Tests und Ausrichtungen.
<b>5 Info-Gewicht</b>	Zeigt das aktuelle Wägergebnis in einer anderen Einheit.

	<b>Bezeichnung</b>	<b>Beschreibung</b>
<b>6</b>	Anzeigebereich für Warn- und Fehlermeldungen	Hier werden aktuelle Warn- und/oder Fehlermeldungen angezeigt.
<b>7</b>	Reiter <b>Protokoll</b>	Zeigt die aktuellen Wägeregebnisse an.
<b>8</b>	Probenstatus <b>OK</b>	Ergebnis Statusanzeige grün: zeigt an, dass das Ergebnis eine Reihe von Kriterien erfüllt. Zum Beispiel: <ul style="list-style-type: none"> <li>Die Waage ist nivelliert.</li> <li>Die interne Justierung wurde durchgeführt und ist in Ordnung.</li> <li>Das Wägeregebnis liegt innerhalb des festgelegten Toleranzbereichs (nur bei definierter Toleranz).</li> </ul>
<b>9</b>	Probenstatus <b>Ausgeschlossen</b>	Ergebnis Statusanzeige schwarz: zeigt an, dass das Ergebnis aus dem Protokoll ausgeschlossen wurde.
<b>10</b>	Probenstatus <b>Nicht OK</b>	Ergebnis Statusanzeige rot: zeigt an, dass die Ergebniskriterien nicht erfüllt sind, z. B. "Das Wägeregebnis lag ausserhalb der definierten Toleranzen".
<b>11</b>	Schaltfläche <b>Protokollieren</b>	Fügt das Ergebnis zum Protokoll hinzu. Je nach gewählter Methode hat die Schaltfläche verschiedene Funktionen.
<b>12</b>	Aktionsleiste	Dieses Feld hält Aktionen bereit, die sich auf die aktuelle Aufgabe beziehen.
<b>13</b>	<b>Waagenmenü</b>	Gibt Zugriff auf die Waageneigenschaften.
<b>14</b>	Bereich mit Informationen zur Methode	Enthält Informationen über Proben-, Methoden- oder Aufgaben-IDs.
<b>15</b>	SmartTrac	Dient als Wägelhilfe für die Definition eines Zielgewichts mit oberen und unteren Toleranzen.
<b>16</b>	Bereich Gewichtswertanzeige	Zeigt das Ergebnis des aktuellen Wägevorgangs an.
<b>17</b>	<b>Methodenname</b>	Zeigt die Bezeichnung der aktuellen Methode an.

## 4 Installation und Inbetriebnahme

### 4.1 Wahl des Aufstellortes

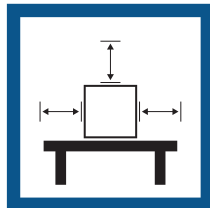
Eine Waage ist ein empfindliches Präzisionsinstrument. Der richtige Standort hat erheblichen Einfluss auf die Genauigkeit der Wägeregebnisse.

#### Anforderungen an den Aufstellort

In Innenräumen auf einem stabilen Tisch



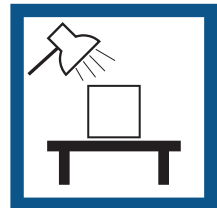
Auf ausreichenden Abstand achten



Gerät nivellieren



Für angemessene Beleuchtung sorgen





Direkte Sonneneinstrahlung vermeiden



Vibrationen vermeiden



Starke Zugluft vermeiden



Temperaturschwankungen vermeiden



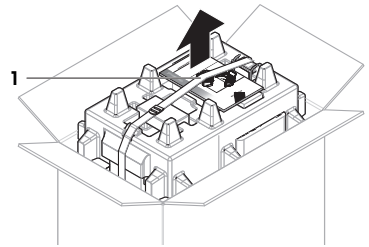
Ausreichend Abstand für Waagen: > 15 cm auf allen Seiten des Gerätes

Berücksichtigen Sie die Umgebungsbedingungen. Siehe "Technische Daten".

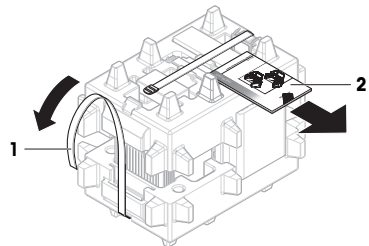
## 4.2 Waage auspacken

Überprüfen Sie die Verpackung, die Verpackungselemente und die gelieferten Komponenten auf Beschädigungen. Sollten Komponenten beschädigt sein, wenden Sie sich bitte an Ihren METTLER TOLEDO-Servicepartner.

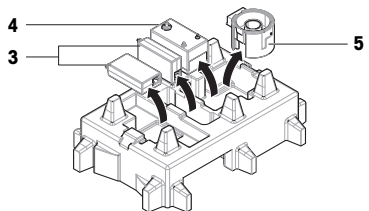
- 1 Öffnen Sie den Karton und heben Sie die Einheit am Hebeband (1) heraus.



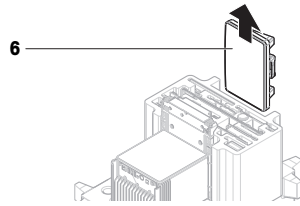
- 2 Öffnen Sie das Hebeband (1) und entfernen Sie das Benutzerhandbuch (2).



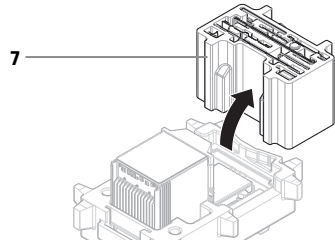
- 3 Entfernen Sie die obere Verpackung und entfernen Sie die Netzadapter (3) und Netzkabel, die Pumpe (4) und die Pipettierbasis mit dem Verdunstungsfallenbehälter (5).



4 Entnehmen Sie vorsichtig das Terminal (6).



5 Nehmen Sie die Verpackung mit dem Kalibrierkit und den Kleinteilen (7) vorsichtig heraus.

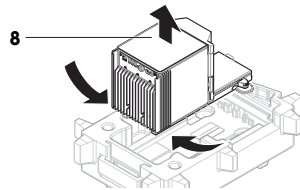


6 Ziehen Sie die Wägeeinheit (8) vorsichtig aus der unteren Verpackung.

7 Nehmen Sie die Schutzhülle ab.

8 Bewahren Sie alle Teile der Verpackung für den späteren Gebrauch an einem sicheren Ort auf.

➔ Die Wägeeinheit ist bereit zur Montage.

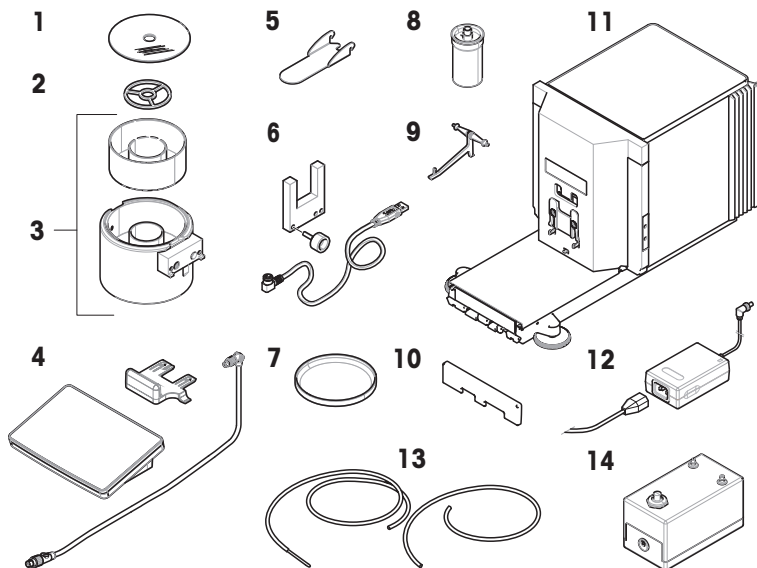


**Sehen Sie dazu auch**

📖 Transport, Verpackung und Lagerung ▶ Seite 18

### 4.3 Lieferumfang

#### 4.3.1 Waage

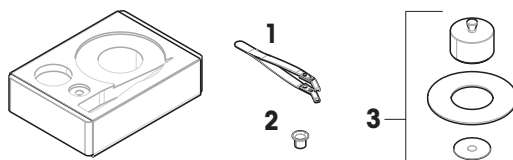


1	Verdunstungsfallenabdeckung	7	Auffangschale
2	Zentrierring	8	Pipettiergefäß und -röhrchen
3	Pipettierbasis mit Lichtschrankenabstandhalter und Verdunstungsfallenbehälter	9	Träger für Pipettiergefäß
4	Terminal mit Terminalhalter und Anschlusskabel	10	Frontabdeckung
5	Verdunstungsfallentür	11	Wägeeinheit
6	Lichtschranke, Befestigungsschraube und Kabel	12	Netzadapter mit länderspezifischem Kabel, 2 Stück
13	Pumpenschläuche, 2 Stück (ein Schlauch mit Absaugröhrchen)	14	Pumpe

#### 4.3.2 Dokumentation

- Benutzerhandbuch
- Herstellerbescheinigung
- Konformitätsbescheinigung

#### 4.3.3 Kalibrierkit



1	Pinzette	3	Waagschale, groß, mit Abdeckring und Windschutz
2	Waagschale, klein		

## 4.4 Installation

### 4.4.1 Montage des Terminals

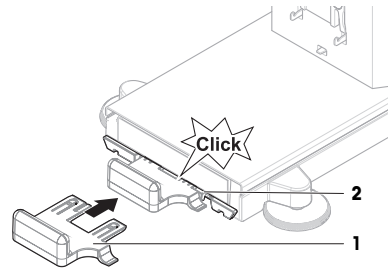


#### HINWEIS

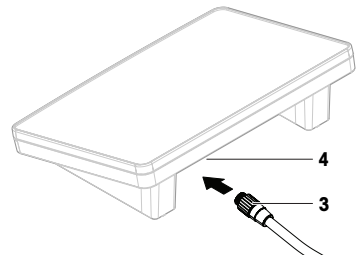
#### Beschädigung der Kabel bei unsachgemäßer Handhabung

- Knicken oder verdrehen Sie die Kabel nicht.

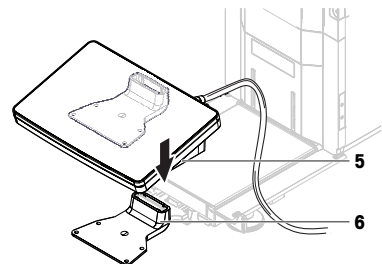
- 1 Setzen Sie die Führungen des Anzeigehalters (1) in die Front der Wägeeinheit (2) ein.



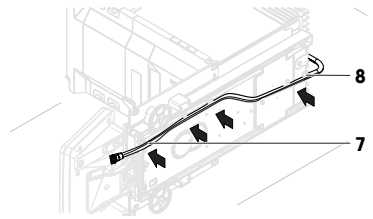
- 2 Verbinden Sie das Terminalkabel (3) mit dem Terminal (4). Beachten Sie die Pinbelegung.



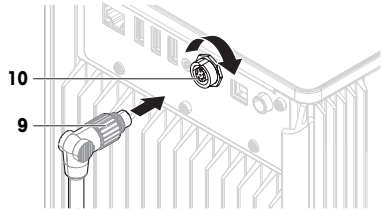
- 3 Setzen Sie das Terminal (5) auf den Terminalhalter (6).



- 4 Kippen Sie die Waage vorsichtig zur Seite.
- 5 Führen Sie das Kabel (7) durch den Kabelkanal (8).
- 6 Stellen Sie die Waage vorsichtig wieder auf die FüÙe.

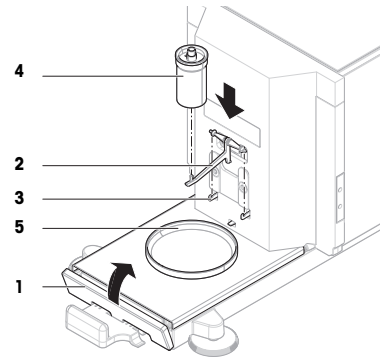


- 7 Stecken Sie das Terminalkabel (9) in die Buchse der Waage (10). Beachten Sie die Pinbelegung.
- ➔ Das Terminal ist bereit.

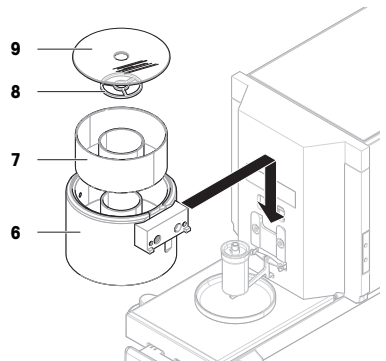


#### 4.4.2 Montage der Waage

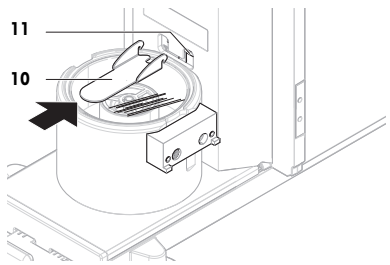
- 1 Montieren Sie die Frontabdeckung (1).
- 2 Hängen Sie den Träger des Pipettiergefäßes (2) vorsichtig an die Haken (3).
  - ➔ Der Träger für das Pipettiergefäß (2) hängt frei.
- 3 Setzen Sie das Pipettiergefäß (4) vorsichtig auf den Träger des Pipettiergefäßes (2).
- 4 Zentrieren Sie die Auffangschale (5) unter dem Pipettiergefäß (4).



- 5 Schieben Sie die Pipettierbasis (6) mit dem Verdunstungsfallenbehälter (7) vorsichtig senkrecht entlang der Führungsschienen auf die Auffangschale.
  - ➔ Die Pipettierbasis zentriert die Auffangschale. Sie berührt weder das Pipettiergefäß (5) noch den Träger des Pipettiergefäßes (3).
- 6 Setzen Sie den Zentrierring (8) auf den Verdunstungsfallenbehälter (7).
- 7 Setzen Sie den Verdunstungsfalendeckel (9) vorsichtig auf den Verdunstungsfallenbehälter (7).



- 8 Schieben Sie die Verdunstungsfalltür (10) nach hinten, bis sie auf der Stange einrastet (11).

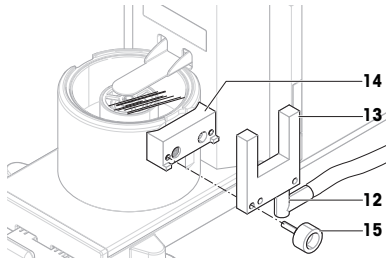


- 9 Verbinden Sie das Lichtschrankenkabel (12) mit der Lichtschranke (13).

- 10 Montieren Sie die Lichtschranke (13) mit der Befestigungsschraube (15) am Abstandshalter der Lichtschranke (14).

**Hinweis**

Standardmäßig sind die Lichtschranke und der Abstandshalter der Lichtschranke auf der rechten Seite der Pipettierbasis installiert. Alternativ können diese Elemente auch auf der linken Seite der Pipettierbasis installiert werden.



- 11 Führen Sie das Lichtschrankenkabel (12) an der Seite der Waage unter der Seitenabdeckung entlang.

- 12 Schließen Sie das Lichtschrankenkabel (12) an einen der USB-A-Anschlüsse auf der Rückseite der Waage an.

➔ Die Waage ist montiert und einsatzbereit.

## 4.5 Inbetriebnahme

### 4.5.1 Anschließen der Waage



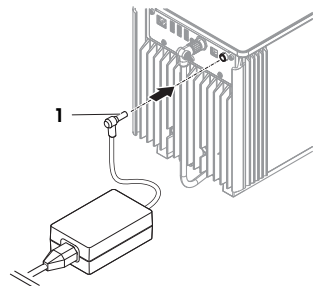
#### **! WARNUNG**

**Es besteht Lebensgefahr oder die Gefahr schwerer Verletzungen durch Stromschlag**

Der Kontakt mit spannungsführenden Teilen kann zum Tod oder zu Verletzungen führen.

- 1 Verwenden Sie ausschließlich das Stromversorgungskabel und das AC/DC-Netzteil von METTLER TOLEDO, das gezielt für Ihr Instrument ausgelegt wurde.
- 2 Stecken Sie das Stromversorgungskabel in eine geerdete Steckdose.
- 3 Halten Sie alle elektrischen Kabel und Anschlüsse von Flüssigkeiten und Feuchtigkeit fern.
- 4 Überprüfen Sie die Kabel und den Netzstecker vor der Verwendung auf Beschädigungen und tauschen Sie diese bei Beschädigung aus.

- 1 Platzieren Sie die Kabel so, dass sie weder beschädigt werden noch den Betrieb behindern können.
- 2 Verbinden Sie den Stecker des Netzadapters (1) mit der Netzbuchse des Gerätes.
- 3 Sichern Sie den Stecker durch Festdrehen der Rändelmutter.
- 4 Stecken Sie das Netzkabel in eine leicht zugängliche und geerdete Steckdose.





## Hinweis

Das Gerät keinesfalls an eine Steckdose mit Schalter anschließen. Nach dem Einschalten des Gerätes muss dieses zunächst aufwärmen, bevor genaue Resultate angezeigt werden.

### Sehen Sie dazu auch

 Allgemeine Daten ▶ Seite 23

## 4.5.2 Einschalten der Waage


### EULA (End User License Agreement)

Beim erstmaligen Einschalten der Waage erscheint auf dem Bildschirm die Endbenutzer-Lizenzvereinbarung (EULA, End User License Agreement).

- 1 Lesen Sie sich diese Bedingungen durch.
- 2 Tippen Sie auf **Ich stimme der Lizenzvereinbarung zu.** und bestätigen Sie mit **✓ OK.**

### Aufwärmen

Damit die Waage verlässliche Resultate anzeigt, muss sie eine Aufwärmung durchlaufen. Dies dauert nach dem Anschließen der Waage mindestens 120 Minuten. Beim Einschalten aus dem Standby-Modus ist die Waage sofort betriebsbereit.

- Die Waage ist aufgewärmt.
  - Drücken Sie .
  - ⇒ Der Hauptbildschirm wird angezeigt.

Beim Einschalten der Waage wird der Hauptbildschirm der Waage angezeigt. Auf der Anzeige erscheint immer der Bildschirm der vor dem Ausschalten zuletzt verwendeten Methode.

## 4.5.3 Nivellieren der Waage

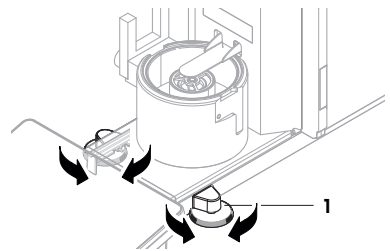
Die exakt horizontale Ausrichtung des Geräts sowie standfeste Aufstellung sind wesentliche Voraussetzungen für wiederholbare und präzise Wägeregebnisse.

Bei Anzeige der Meldung **Waage ist nicht nivelliert:**



- 1 Tippen Sie auf **▶ Waage nivellieren.**
  - ⇒ Die **Nivellierass.** öffnet sich.
- 2 Drehen Sie die beiden Nivellierfüße (1), bis sich der Punkt in der Mitte der Libelle befindet.

Der Nivellierassistent kann auch über das **Waagenmenü** aufgerufen werden:

**Navigation:** ▶ **Waagenmenü** >  **Nivellierass.**



## 4.5.4 Interne Justierung durchführen

- Die Justierung **Strategie** ist auf **Interne Justierung** eingestellt.
- 1 Öffnen Sie den Abschnitt **Methoden**, tippen Sie auf , wählen Sie die Justierung aus und tippen Sie auf **▶ Start**
    - oder -
    - Tippen Sie vom Hauptwägebildschirm aus auf **--- Weitere** und tippen Sie auf **Justierung starten.**
      - ⇒ **Interne Justierung** wird ausgeführt.
      - ⇒ Nach Abschluss der Justierung erscheint eine Übersicht mit den Justierresultaten.
  - 2 Tippen Sie auf  **Drucken**, wenn Sie die Ergebnisse ausdrucken möchten.
  - 3 Tippen Sie auf **✓ Justierung fertig stellen.**
    - ⇒ Die Waage ist einsatzbereit.

#### 4.5.5 Funktionsprüfung durchführen



Verwenden Sie zur Durchführung einer Funktionsprüfung das mit der Waage mitgelieferte Kalibrierkit.




Ausführlichere Informationen finden Sie im Referenzhandbuch (RM).

► [www.mt.com/XPR26PC-RM](http://www.mt.com/XPR26PC-RM)

#### 4.5.6 Versetzen der Waage in den Stand-by-Modus

Wenn Sie  gedrückt halten, versetzen Sie die Waage in den Standby-Modus. Verlassen Sie den Standby-Modus durch erneutes Gedrückthalten von .

#### 4.5.7 Ausschalten der Waage

Um die Waage vollständig abzuschalten, muss diese vom Stromnetz getrennt werden. Wenn Sie  gedrückt halten, wechselt die Waage nur in den Standby-Modus.



#### Hinweis

Wenn die Waage längere Zeit komplett abgeschaltet war, muss sie vor der Inbetriebnahme anwärmen.

#### Sehen Sie dazu auch

 Einschalten der Waage ► Seite 15

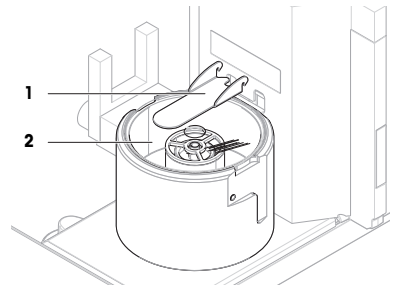
### 4.6 Pipettierzyklus durchführen

Zur Kalibrierung der Pipette muss destilliertes Wasser verwendet werden. Das Volumen der Flüssigkeit wird durch eine gravimetrische Prüfung gemessen.

#### 4.6.1 Verdunstungsfallenbehälter befüllen

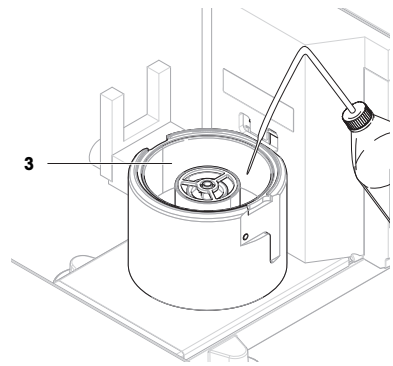
Die Verdunstungsfalle enthält einen Behälter, der mit Wasser gefüllt werden muss. Wenn die Verdunstungsfalle geschlossen ist, erhöht sich die Luftfeuchtigkeit im Inneren, bis die Luft gesättigt ist. Dies verhindert das Verdunsten der Flüssigkeit im Pipettiergefäß und sorgt für genaue Wägeresultate.

- 1 Entfernen Sie die Verdunstungsfallentür (1).
- 2 Entfernen Sie vorsichtig die Verdunstungsfallenabdeckung (2).





- 3 Füllen Sie den Behälter der Verdunstungsfalle (3) mit destilliertem Wasser.
  - ➔ Der Behälter der Verdunstungsfalle ist mindestens halb voll (maximal 70 ml).
- 4 Bauen Sie die Waage wieder zusammen.
  - ➔ Die Verdunstungsfallentür (1) ist geschlossen.
- 5 Warten Sie mindestens **120 Minuten**, damit die Luft in der Verdunstungsfalle die Sättigung erreichen kann.



#### 4.6.2 Nullstellen der Waage

- Drücken Sie die Taste **→0←**, um die Waage auf null zu stellen.
- ➔ Die Waage ist auf null gestellt.

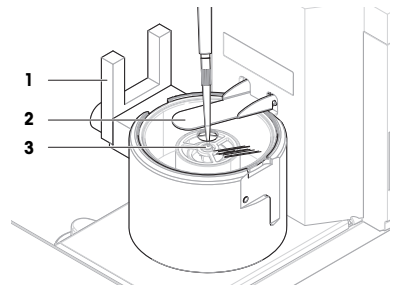
#### 4.6.3 Trieren der Waage

Vor einer Folgemessung muss die Waage tariert werden.

- Drücken Sie die Taste **→T←**, um die Waage zu tariere.
- ➔ Die Waage ist tariert. Das Symbol **Net** erscheint.

#### 4.6.4 Pipettierzyklus durchführen

- Die zu kalibrierende Pipette ist vorbereitet und auf das Zielvolumen eingestellt.
- 1 Aspirieren Sie mit der Pipette das Zielvolumen an destilliertem Wasser.
- 2 Aktivieren Sie die Lichtschranke (1) oder drücken Sie **↓**.
  - ➔ Die Verdunstungsfallentür (2) öffnet sich.
- 3 Dispensieren Sie die Flüssigkeit in das Pipettiergefäß (3).
- 4 Aktivieren Sie die Lichtschranke (1) oder drücken Sie **↓**.
  - ➔ Die Verdunstungsfallentür (2) schließt sich.
  - ➔ Das Wäageergebnis wird angezeigt.
- 5 Tippen Sie auf **+ Protokollieren**, wenn Sie das Wäage-sultat protokollieren möchten.
- ➔ Der Gewichtswert wird im **Protokoll** erfasst.



#### 4.6.5 Abschließen einer Wägung

- 1 Tippen Sie zum Speichern des **Protokoll** auf **☰ Abschliessen**.
  - ➔ Das Fenster **Task abschliessen** erscheint.
- 2 Wählen Sie eine Option zum Speichern oder Drucken des **Protokoll**.
  - ➔ Der entsprechende Dialog öffnet sich.
- 3 Befolgen Sie die Anweisungen des Assistenten.
- 4 Tippen Sie auf **✓ Abschliessen**.
  - ➔ Das **Protokoll** wird gespeichert/gedruckt und anschließend gelöscht.

#### 4.6.6 Entleerung des Pipettiergefäßes

Entleeren Sie das Pipettiergefäß regelmäßig, um ein Überlaufen zu verhindern.

### Sehen Sie dazu auch

- Entleerung des Pipettiergefäßes ▶ Seite 20
- Reinigung nach Wasserüberlauf ▶ Seite 23

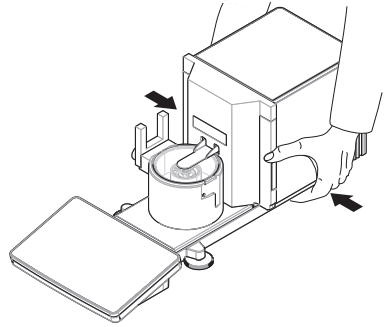
## 4.7 Transport, Verpackung und Lagerung

### 4.7.1 Transport der Waage über kurze Strecken

- 1 Trennen Sie den Netzadapter vom Netz und ziehen Sie alle Schnittstellenkabel ab.
- 2 Halten Sie die Wägeplattform mit beiden Händen und tragen Sie die Waage in horizontaler Lage zum Zielort. Berücksichtigen Sie die Anforderungen an den Standort.

Wenn Sie die Waage in Betrieb nehmen möchten, gehen Sie wie folgt vor:

- 1 Schließen Sie alles in umgekehrter Reihenfolge an.
- 2 Lassen Sie der Waage eine ausreichend lange Aufwärmzeit.
- 3 Nivellieren Sie die Waage.
- 4 Führen Sie eine interne Justierung durch.



### Sehen Sie dazu auch

- Wahl des Aufstellortes ▶ Seite 8
- Einschalten der Waage ▶ Seite 15
- Nivellieren der Waage ▶ Seite 15
- Interne Justierung durchführen ▶ Seite 15

### 4.7.2 Die Waage über weite Strecken transportieren

METTLER TOLEDO Wir empfehlen, für den Transport der Waage oder von Waagenkomponenten über weite Strecken die Originalverpackung zu verwenden. Die Elemente der Originalverpackung wurden speziell für die Waage und ihre Komponenten entwickelt und gewährleisten optimalen Schutz beim Transport.

### Sehen Sie dazu auch

- Waage auspacken ▶ Seite 9

### 4.7.3 Verpackung und Lagerung

#### Verpacken der Waage

Bewahren Sie alle Teile der Verpackung an einem sicheren Ort auf. Die Bestandteile der Originalverpackung wurden speziell für die Waage und ihre Komponenten entwickelt und gewährleisten optimalen Schutz bei Transport oder Lagerung.

#### Lagern der Waage

Beim Einlagern der Waage müssen folgende Bedingungen erfüllt sein:

- In Innenräumen und in der Originalverpackung
- Entsprechend den Umgebungsbedingungen, siehe Kapitel "Technische Daten"

#### Hinweis

Bei einer Lagerung von mehr als 6 Monaten kann sich der Akku vollständig entladen (nur Datum und Uhrzeit gehen verloren).

### Sehen Sie dazu auch

- Technische Daten ▶ Seite 23

## 5 Wartung

Zur Gewährleistung der Funktionalität der Waage und der Genauigkeit der Wägeresultate muss der Benutzer eine Reihe von Wartungsmassnahmen durchführen.



Ausführlichere Informationen finden Sie im Referenzhandbuch (RM).

► [www.mt.com/XPR26PC-RM](http://www.mt.com/XPR26PC-RM)

### 5.1 Wartungsaufgaben

Wartungsmassnahme	Empfohlenes Intervall	Bemerkungen
Interne Justierung durchführen	<ul style="list-style-type: none"><li>• Täglich</li><li>• Nach der Reinigung</li><li>• Nach dem Nivellieren</li><li>• Nach einem Ortswechsel</li></ul>	Siehe "Interne Justierung durchführen"
Routineprüfungen durchführen (Eckenlastprüfung, Wiederholbarkeitstest, Empfindlichkeitstest). METTLER TOLEDO empfiehlt, mindestens einen Empfindlichkeitstest durchzuführen.	<ul style="list-style-type: none"><li>• Nach der Reinigung</li><li>• Nach dem Zusammenbau der Waage</li><li>• Nach einem Software-Update</li><li>• Abhängig von Ihren internen Vorschriften (SOP)</li></ul>	Siehe "Tests" im Referenzhandbuch
Behälter entleeren	<ul style="list-style-type: none"><li>• Je nach Nutzungshäufigkeit des Instruments</li><li>• Abhängig von Ihren internen Vorschriften (SOP)</li></ul>	siehe "Behälter entleeren"
Reinigung	<ul style="list-style-type: none"><li>• Nach jedem Gebrauch</li><li>• Abhängig vom Verschmutzungsgrad</li><li>• Abhängig von Ihren internen Vorschriften (SOP)</li></ul>	siehe "Reinigung"
Software-Update	<ul style="list-style-type: none"><li>• Abhängig von Ihren internen Vorschriften (SOP).</li><li>• Nach einem neuen Software-Release.</li></ul>	Siehe "Software-Update" im Referenzhandbuch

#### Sehen Sie dazu auch

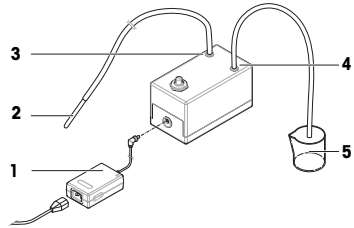
- 📖 Interne Justierung durchführen ► Seite 15
- 📖 Reinigung ► Seite 21
- 📖 Behälter entleeren ► Seite 19

### 5.2 Behälter entleeren

#### 5.2.1 Aufbau der Pumpe

Während des normalen Gebrauchs werden das Pipettiergefäß und der Verdunstungsfallenbehälter mit Wasser gefüllt. Die Pumpe dient dazu, das Wasser sicher und effizient zu entfernen, ohne dass das Gerät zerlegt werden muss. Der Einlassschlauch ist zur einfacheren Handhabung mit einem Absaugröhrchen ausgestattet. Der Auslassschlauch dient zur Entsorgung der angesaugten Flüssigkeit.

- 1 Platzieren Sie die Kabel so, dass sie weder beschädigt werden noch den Betrieb behindern können.
- 2 Verbinden Sie den Stecker des Netzadapters (1) mit der Steckdose.
- 3 Sichern Sie den Stecker durch Festdrehen der Rändelmutter.
- 4 Stecken Sie das Netzkabel in eine leicht zugängliche und geerdete Steckdose.
- 5 Schließen Sie den Pumpenschlauch mit dem Absaugröhrchen (2) am Anschluss IN (3) an.
- 6 Verbinden Sie den anderen Pumpenschlauch mit dem Anschluss OUT( 4).
- 7 Stecken Sie das freie Ende des Schlauchs in einen Behälter, der für Flüssigabfälle geeignet ist (5).



### 5.2.2 Entleerung des Pipettiergefäßes

Das Pipettiergefäß muss regelmäßig geleert werden, um ein Überlaufen zu verhindern.



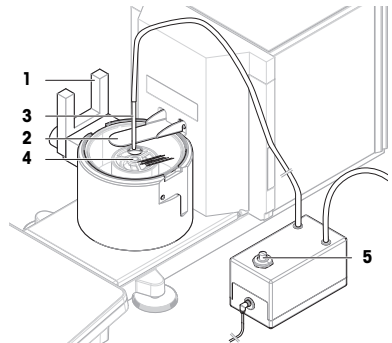
#### HINWEIS

##### Beschädigung der Pumpe durch unsachgemäße Handhabung

Wenn die Pumpe bei Nichtgebrauch eingeschaltet ist, kann sie beschädigt werden.

- Schalten Sie die Pumpe aus, wenn sie nicht verwendet wird.

- Die Pumpe ist zusammengebaut.
  - Der Pumpenauslassschlauch wird in einen für Flüssigabfälle geeigneten Behälter gelegt.
- 1 Aktivieren Sie die Lichtschranke (1) oder drücken Sie **↓**.
    - ➔ Die Verdunstungsfalltür (2) öffnet sich.
  - 2 Führen Sie das Absaugröhrchen (3) in das Pipettiergefäß (4) ein.
  - 3 Schalten Sie die Pumpe ein (5).
    - ➔ Die Flüssigkeit wird abgepumpt und im Behälter für Flüssigabfälle gesammelt.
  - 4 Schalten Sie die Pumpe aus (5).
  - 5 Bauen Sie die Waage wieder zusammen.
    - ➔ Die Waage ist einsatzbereit.



#### Sehen Sie dazu auch

- 📖 Aufbau der Pumpe ▶ Seite 19

### 5.2.3 Verdunstungsfallenbehälter entleeren



#### HINWEIS

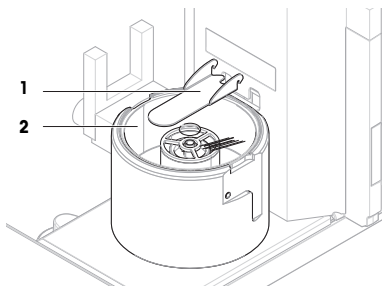
##### Beschädigung der Pumpe durch unsachgemäße Handhabung

Wenn die Pumpe bei Nichtgebrauch eingeschaltet ist, kann sie beschädigt werden.

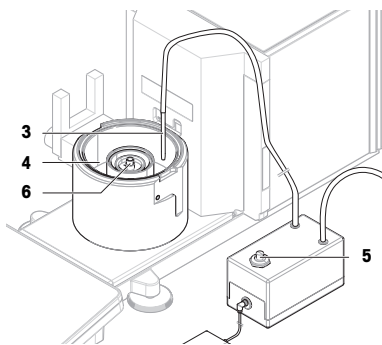
- Schalten Sie die Pumpe aus, wenn sie nicht verwendet wird.

- Die Pumpe ist zusammengebaut.
- Der Pumpenauslassschlauch wird in einen für Flüssigabfälle geeigneten Behälter gelegt.

- 1 Entfernen Sie die Verdunstungsfallentür (1).
- 2 Entfernen Sie vorsichtig die Verdunstungsfallenabdeckung (2).



- 3 Führen Sie das Absaugröhrchen (3) in den Verdunstungsfallenbehälter (4) ein.
- 4 Schalten Sie die Pumpe ein (5).
  - ➔ Die Flüssigkeit wird abgepumpt und im Behälter für Flüssigabfälle gesammelt.
- 5 Entleeren Sie bei Bedarf das Pipettiergefäß mit der Pumpe (6), siehe [Entleerung des Pipettiergefäßes ▶ Seite 20].
- 6 Schalten Sie die Pumpe aus (5).
- 7 Alternativ können Sie den Behälter der Verdunstungsfall (4) entfernen, um ihn zu entleeren.
- 8 Bauen Sie die Waage wieder zusammen.



**Sehen Sie dazu auch**

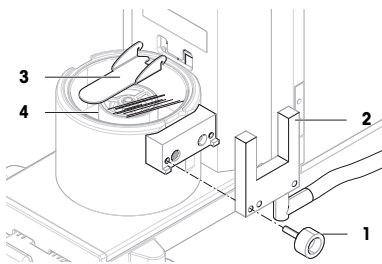
📖 Aufbau der Pumpe ▶ Seite 19

### 5.3 Reinigung

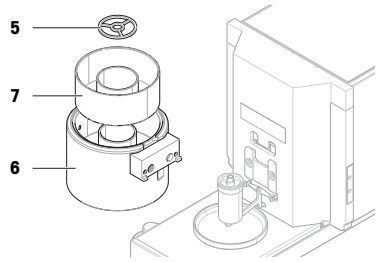
#### 5.3.1 Demontage zur Reinigung

- Die Behälter sind leer, siehe [Behälter entleeren ▶ Seite 19].
- Die Waage ist ausgeschaltet, siehe [Ausschalten der Waage ▶ Seite 16].

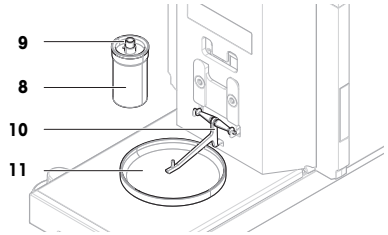
- 1 Entfernen Sie die Befestigungsschraube (1) und legen Sie die Lichtschranke (2) zur Seite.
- 2 Entfernen Sie die Verdunstungsfallentür (3).
- 3 Entfernen Sie vorsichtig die Verdunstungsfallenabdeckung (4).



- 4 Entfernen Sie den Zentrierring (5).
- 5 Heben Sie die Pipettierbasis (6) mit dem Verdunstungsfallenbehälter (7) vorsichtig an und entfernen Sie sie.



- 6 Entfernen Sie das Pipettiergefäß (8) und schrauben Sie den Deckel ab, der das Pipettierrohrchen hält (9).
- 7 Entfernen Sie vorsichtig den Träger des Pipettiergefäßes (10).
- 8 Entfernen Sie die Auffangschale (11).



### 5.3.2 Reinigung der Waage



#### HINWEIS

##### Beschädigung des Gerätes durch ungeeignete Reinigungsmethoden

Wenn Flüssigkeiten in das Gehäuse gelangen, kann das Gerät beschädigt werden. Die Oberfläche des Geräts kann durch bestimmte Reinigungs-, Lösungs- oder Scheuermittel beschädigt werden.

- 1 Sprühen oder giessen Sie keine Flüssigkeiten auf das Gerät.
- 2 Verwenden Sie ausschliesslich die im Referenzhandbuch (RM) des Geräts oder im Leitfaden "8 Steps to a Clean Balance" angegebenen Reinigungsmittel.
- 3 Verwenden Sie zum Reinigen des Geräts nur ein leicht angefeuchtetes, fusselfreies Tuch.
- 4 Wischen Sie verschüttete Flüssigkeiten sofort ab.



Weitere Informationen zur Reinigung einer Waage finden Sie unter "8 Steps to a Clean Balance".

► [www.mt.com/lab-cleaning-guide](http://www.mt.com/lab-cleaning-guide)

#### Reinigung um die Waage herum

- Entfernen Sie Schmutz und Staub um die Waage herum und vermeiden Sie weitere Verunreinigungen.

#### Reinigung des Terminals

- Reinigen Sie das Terminal mit einem feuchten Tuch oder einem Papiertuch und einem milden Reinigungsmittel.

#### Reinigung aller abnehmbaren Teile

- Reinigen Sie abgebaute Teile mit einem feuchten Tuch oder einem Papiertuch und einem milden Reinigungsmittel.

#### Reinigung der Wägeeinheit

- 1 Trennen Sie die Waage vom Netzadapter.
- 2 Reinigen Sie die Oberfläche der Waage unter Verwendung eines mit einem milden Reinigungsmittel angefeuchteten, fusselfreien Tuchs.

- 3 Entfernen Sie zunächst pudrige Substanzen oder Staub mit einem Einwegtuch.
- 4 Benutzen Sie zum Entfernen klebriger Substanzen ein feuchtes, fusselfreies Tuch und ein mildes Lösungsmittel, z. B. 70%iges Isopropanol oder Ethanol.

### 5.3.3 Reinigung nach Wasserüberlauf

Bei einem Überlauf, z. B. beim Überfüllen des Pipettiergefäßes, muss überschüssige Flüssigkeit sofort entfernt werden.

- 1 Entleeren Sie den Verdunstungsfallenbehälter mit der Pumpe, siehe [Verdunstungsfallenbehälter entleeren ▶ Seite 20].
- 2 Entleeren Sie das Pipettiergefäß mit der Pumpe, siehe [Entleerung des Pipettiergefäßes ▶ Seite 20].
- 3 Demontieren Sie die restlichen Teile und reinigen Sie sie mit einem fusselfreien Tuch oder Lappen, siehe [Demontage zur Reinigung ▶ Seite 21].
- 4 Bauen Sie die Waage wieder zusammen.


#### Sehen Sie dazu auch

 Aufbau der Pumpe ▶ Seite 19

### 5.3.4 Inbetriebnahme nach Reinigung

- 1 Bauen Sie die Waage wieder zusammen.
  - 2 Prüfen Sie, ob das Terminal durch ein Kabel mit der Waage verbunden ist.
  - 3 Schliessen Sie die Waage wieder an den Netzadapter an.
  - 4 Überprüfen Sie die Nivellierung und nivellieren Sie die Waage bei Bedarf.
  - 5 Beachten Sie die in den „Technischen Daten“ angegebene Aufwärmzeit.
  - 6 Führen Sie eine interne Justierung durch.
  - 7 Führen Sie eine Routineprüfung gemäß den internen Vorschriften Ihres Unternehmens durch. METTLER TOLEDO empfiehlt, nach der Reinigung der Waage einen Empfindlichkeitstest durchzuführen.
  - 8 Drücken Sie die Taste **→0←**, um die Waage auf null zu stellen.
- ⇒ Die Waage ist einsatzbereit.


#### Sehen Sie dazu auch

 Interne Justierung durchführen ▶ Seite 15

## 6 Technische Daten

### 6.1 Allgemeine Daten

#### Stromversorgung

Netzadapter (Modell-Nr. FSP060-DHAN3):	Eingang: 100 – 240 VAC ± 10 %, 50 – 60 Hz, 1,8 A Ausgang: 12 VDC, 5 A, LPS, SELV
Netzadapter (Modell-Nr. FSP060-DIBAN2):	Eingang: 100 – 240 VAC ± 10 %, 50 – 60 Hz, 1,5 A Ausgang: 12 VDC, 5 A, LPS, SELV
Kabel für den Netzadapter:	3-polig, mit länderspezifischem Stecker
Stromverbrauch Waage:	12 V DC ± 10 %, 2,25 A
Polarität:	

#### Schutz und Normen

Überspannungskategorie:	II
Verschmutzungsgrad:	2
Normen für Sicherheit und EMV:	Siehe Konformitätsbescheinigung
Verwendungsbereich:	Nur in trockenen Innenräumen verwenden

## Umgebungsbedingungen

Die Grenzwerte gelten, wenn die Waage unter folgenden Umgebungsbedingungen eingesetzt wird:

Höhe über NN:	Bis 5000 m
Umgebungstemperatur:	+10 bis +30 °C
Max. Temperaturänderung:	5 °C/h
Relative Luftfeuchtigkeit:	30 bis 70 %, nicht kondensierend
Akklimatisierungszeit:	Mindestens <b>8 Stunden</b> nach dem Absetzen des Geräts am Ort der Inbetriebnahme.
Anwärmzeit:	Mindestens <b>120 Minuten</b> nachdem die Waage an die Stromversorgung angeschlossen wurde. Beim Einschalten aus dem Standby-Modus ist das Gerät sofort betriebsbereit.

Die Waage kann unter den folgenden Umgebungsbedingungen verwendet werden. Die Wägeleistung der Waage kann jedoch außerhalb der Grenzwerte liegen:

Umgebungstemperatur:	+5 – +40 °C
Relative Luftfeuchtigkeit:	20 % bis max. 80 % bei 31 °C, linear abnehmend bis 50 % bei 40 °C, nicht kondensierend

Die Waage kann unter folgenden Bedingungen von der Stromversorgung getrennt und in ihrer Verpackung gelagert werden:

Umgebungstemperatur:	-25 bis +70 °C
Relative Luftfeuchtigkeit:	10 bis 90 %, nicht kondensierend

## 7 Entsorgung

Entsprechend der europäischen Richtlinie 2012/19/EU über Elektro- und Elektronik-Altgeräte (WEEE) darf dieses Gerät nicht im Haushaltsabfall entsorgt werden. Dies gilt auch für Länder ausserhalb der EU entsprechend den geltenden nationalen Regelungen.



Bitte entsorgen Sie dieses Produkt gemäss den örtlichen Bestimmungen in einer getrennten Sammlung für Elektro- und Elektronikgeräte. Bei Fragen wenden Sie sich bitte an die zuständige Behörde oder den Händler, bei dem Sie dieses Gerät erworben haben. Bei einer Weitergabe an Dritte muss der Inhalt dieser Regelung ebenfalls mit einbezogen werden.



# Índice de contenidos

<b>1</b>	<b>Introducción</b>	<b>3</b>
1.1	Información y documentos adicionales.....	3
1.2	Acrónimos y abreviaturas .....	4
1.3	Información sobre conformidad .....	4
<b>2</b>	<b>Información de seguridad</b>	<b>4</b>
2.1	Definiciones de los textos y símbolos de advertencia .....	5
2.2	Información de seguridad específica del producto .....	5
<b>3</b>	<b>Diseño y función</b>	<b>6</b>
3.1	Información general .....	6
3.2	Interfaz de usuario .....	6
3.2.1	Descripción general de los apartados principales.....	6
3.2.2	Pantalla principal de pesaje .....	7
<b>4</b>	<b>Instalación y puesta en marcha</b>	<b>8</b>
4.1	Selección de la ubicación .....	8
4.2	Desembalaje de la balanza .....	9
4.3	Contenido de la entrega .....	11
4.3.1	Balanza .....	11
4.3.2	Documentación.....	11
4.3.3	Kit de calibración .....	11
4.4	Instalación .....	12
4.4.1	Fijación del terminal .....	12
4.4.2	Montaje de la balanza .....	13
4.5	Puesta en marcha.....	14
4.5.1	Conexión de la balanza .....	14
4.5.2	Encendido de la balanza.....	15
4.5.3	Nivelación de la balanza.....	15
4.5.4	Cómo realizar un ajuste interno .....	15
4.5.5	Realización de una comprobación de funcionamiento .....	15
4.5.6	Configuración de la balanza en el modo de reposo .....	16
4.5.7	Apagado de la balanza .....	16
4.6	Realización de un ciclo de pipeteo .....	16
4.6.1	Llenado del contenedor de la trampa de evaporación .....	16
4.6.2	Puesta a cero de la balanza .....	17
4.6.3	Tara de la balanza .....	17
4.6.4	Realización de un ciclo de pipeteo .....	17
4.6.5	Completar el pesaje.....	17
4.6.6	Vaciado del recipiente de pipeteo .....	17
4.7	Transporte, embalaje y almacenamiento.....	18
4.7.1	Traslado de la balanza a corta distancia.....	18
4.7.2	Traslado de la balanza a larga distancia .....	18
4.7.3	Embalaje y almacenamiento .....	18
<b>5</b>	<b>Mantenimiento</b>	<b>18</b>
5.1	Tareas de mantenimiento.....	19
5.2	Vaciado de los recipientes.....	19
5.2.1	Montaje de la bomba.....	19
5.2.2	Vaciado del recipiente de pipeteo .....	20
5.2.3	Vaciado del contenedor de la trampa de evaporación .....	20
5.3	Limpieza.....	21
5.3.1	Desmontaje para la limpieza .....	21
5.3.2	Limpieza de la balanza.....	22

5.3.3	Limpieza tras un desbordamiento .....	22
5.3.4	Puesta en marcha después de la limpieza .....	22
<b>6</b>	<b>Características técnicas</b>	<b>23</b>
6.1	Características generales .....	23
<b>7</b>	<b>Eliminación de residuos</b>	<b>24</b>

## 1 Introducción

Gracias por elegir una balanza de METTLER TOLEDO. La balanza combina un rendimiento excelente con facilidad de uso.

### CLUF

El software de este producto está sujeto a licencia de conformidad con el Contrato de Licencia de Usuario Final (CLUF) de METTLER TOLEDO para software.

► [www.mt.com/EULA](http://www.mt.com/EULA)

Al utilizar este producto, acepta los términos del CLUF.

### 1.1 Información y documentos adicionales

Este documento está disponible en línea en otros idiomas.

► [www.mt.com/pipcal](http://www.mt.com/pipcal)

Instrucciones para la limpieza de una balanza: "8 Steps to a Clean Balance"

► [www.mt.com/lab-cleaning-guide](http://www.mt.com/lab-cleaning-guide)

Búsqueda de descargas de software

► [www.mt.com/labweighing-software-download](http://www.mt.com/labweighing-software-download)

Búsqueda de documentos

► [www.mt.com/library](http://www.mt.com/library)

Si tiene alguna pregunta, póngase en contacto con su METTLER TOLEDO representante de ventas o asistencia autorizado.

► [www.mt.com/contact](http://www.mt.com/contact)

## 1.2 Acrónimos y abreviaturas

<b>Término original</b>	<b>Traducción</b>	<b>Explicación</b>
ASTM		American Society for Testing and Materials
EMC		Electromagnetic Compatibility (Compatibilidad Electromagnética)
FCC		Federal Communications Commission
GWP		Good Weighing Practice
ID		Identification (Identificación)
LPS		Limited Power Source (Fuente de Energía Limitada)
MT-SICS		METTLER TOLEDO Standard Interface Command Set
NA		Not Applicable (No aplicable)
OIML		Organisation Internationale de Métrologie Légale
RFID		Radio-frequency identification (Identificación por radiofrecuencia)
RM		Reference Manual (Manual de referencia)
sd		Standard deviation
SELV		Safety Extra Low Voltage (Voltaje Extra Bajo de Seguridad)
SOP	PNT	Standard Operating Procedure (Procedimiento Normalizado de Trabajo)
SQC		Statistical Quality Control (Control estadístico de la calidad)
UM		User Manual (Manual de usuario)
USB		Universal Serial Bus (Bus Serie Universal)
USP		United States Pharmacopeia

## 1.3 Información sobre conformidad

Los documentos de aprobación de ámbito nacional, por ejemplo, la Declaración de Conformidad del Proveedor de la FCC, están disponibles en línea o se incluyen en el embalaje.

► <http://www.mt.com/ComplianceSearch>



Para obtener más información, consulte el manual de referencia (MR).

► [www.mt.com/XPR26PC-RM](http://www.mt.com/XPR26PC-RM)

## 2 Información de seguridad

Para este instrumento hay disponibles dos documentos denominados "Manual del usuario" y "Manual de referencia".

- El manual del usuario se imprime y se proporciona junto con el instrumento.
- El manual de referencia electrónico contiene una descripción completa del instrumento y su uso.

- Guarde los dos documentos para consultarlos en el futuro.
- Incluya los dos documentos si transfiere el instrumento a terceros.

Use el instrumento siguiendo únicamente el manual del usuario y el manual de referencia. Si modifica el instrumento o no lo usa según la información indicada en estos documentos, la seguridad de este puede verse afectada y Mettler-Toledo GmbH no asume ninguna responsabilidad al respecto.

## 2.1 Definiciones de los textos y símbolos de advertencia

Las indicaciones de seguridad contienen información importante sobre problemas de seguridad. Si se hace caso omiso de las indicaciones de seguridad pueden producirse daños personales o materiales, funcionamiento anómalos y resultados incorrectos. Las indicaciones de seguridad se marcan con los textos y símbolos de advertencia siguientes:

### Texto de advertencia

<b>PELIGRO</b>	Una situación de peligro con un nivel de riesgo alto que, si no se evita, provocará lesiones graves o incluso la muerte.
<b>ADVERTENCIA</b>	Una situación de peligro con un nivel de riesgo medio que, si no se impide, puede provocar lesiones graves o incluso la muerte.
<b>ATENCIÓN</b>	Una situación de peligro con un nivel de riesgo bajo que, si no se impide, puede provocar lesiones de carácter leve o medio.
<b>AVISO</b>	Una situación de peligro con un nivel de riesgo bajo que puede provocar daños en el equipo, otros daños materiales, errores de funcionamiento y resultados erróneos o pérdidas de datos.

### Símbolos de advertencia



Peligro general



Aviso

## 2.2 Información de seguridad específica del producto

### Uso previsto

Este equipo está diseñado para su uso por personal debidamente formado. El instrumento se ha concebido para realizar tareas de pesaje.

Cualquier otro tipo de uso y funcionamiento que difiera de los límites de uso establecidos por Mettler-Toledo GmbH sin el consentimiento de Mettler-Toledo GmbH se considera no previsto.

### Responsabilidades del propietario del instrumento

El propietario del instrumento es la persona que posee de forma legal el instrumento, así como la persona que lo utiliza o permite que otros lo utilicen, o quien la ley considere que es el operario del instrumento. Esta persona es responsable de velar por la seguridad de todos los usuarios del instrumento y de terceros.

Mettler-Toledo GmbH asume que el propietario del instrumento forma a los usuarios para usar de forma segura el mismo en el puesto de trabajo y para afrontar posibles peligros. Mettler-Toledo GmbH asume que el propietario del instrumento proporciona el equipo de protección necesario.

## Avisos de seguridad



### ⚠️ ADVERTENCIA

#### Riesgo de muerte o de lesiones graves por descarga eléctrica

El contacto con piezas que lleven corriente eléctrica activa puede provocar lesiones o la muerte.

- 1 Utilice únicamente el cable de alimentación y el adaptador de CA/CC de METTLER TOLEDO diseñados para su instrumento.
- 2 Conecte el cable de alimentación a una toma de corriente con conexión a tierra.
- 3 Mantenga todas las conexiones y los cables eléctricos alejados de los líquidos y de la humedad.
- 4 Compruebe si existen desperfectos en los cables y el conector, y sustitúyalos en caso de que estén dañados.



### AVISO

#### Daños en el instrumento o funcionamiento incorrecto debido al uso de piezas inapropiadas

- Utilice únicamente piezas de METTLER TOLEDO diseñadas para ser utilizadas con su instrumento.

En el manual de referencia puede consultar la lista de accesorios y piezas de repuesto.

## 3 Diseño y función



Para obtener más información, consulte el manual de referencia (MR).

► [www.mt.com/XPR26PC-RM](http://www.mt.com/XPR26PC-RM)

### 3.1 Información general

Consulte el apartado «Overview» (gráficos y leyendas) que se encuentra al principio del manual.

### 3.2 Interfaz de usuario

#### 3.2.1 Descripción general de los apartados principales

La pantalla principal de pesaje (1) es el punto central de navegación donde se pueden encontrar todos los menús y configuraciones. El **Menú de balanza (2)**, **Métodos (3)** y el **Protocolo (4)** se abren haciendo clic en los cajones que se encuentran en los laterales de la pantalla de pesaje principal.



### Vea también a este respecto

Pantalla principal de pesaje ▶ página 7

### 3.2.2 Pantalla principal de pesaje



	Nombre	Descripción
1	<b>Nombre usuario</b>	Muestra el nombre del usuario actual.
2	Campo del valor de pesaje	Muestra el valor de pesaje actual.
3	Indicador de nivel	Indica si la balanza está nivelada (verde) o no (rojo).
4	<b>Menú Métodos</b>	Da acceso a la lista de métodos, tests y alineaciones definidos por el usuario.
5	<b>Pesas info.</b>	Muestra el valor de pesaje actual en otra unidad.

	Nombre	Descripción
6	Zona de los mensajes de error y advertencia	Muestra los mensajes de error y advertencia activos.
7	Cajón <b>Protocolo</b>	Muestra los resultados de pesaje recientes.
8	Estado de la muestra <b>OK</b>	Indicador de estado de resultados verde: indica que el resultado cumple una serie de criterios. Por ejemplo: <ul style="list-style-type: none"> <li>• La balanza está nivelada.</li> <li>• El ajuste interno se ha realizado y es correcto.</li> <li>• El resultado de pesaje se encuentra dentro de la tolerancia de pesos definida (solo si hay una tolerancia definida).</li> </ul>
9	Estado de la muestra <b>Excluido</b>	Indicador de estado de resultados negro: indica que el resultado se ha excluido del informe.
10	Estado de la muestra <b>No OK</b>	Indicador de estado de resultados rojo: indica que no se cumplen los criterios exigidos para los resultados. Por ejemplo: "Resultado de pesaje fuera de las tolerancias definidas".
11	Botón <b>Añadir al protot.</b>	Añade el resultado al informe. En función del método seleccionado, el botón puede tener diferentes funciones.
12	Barra de acciones	Contiene acciones relativas a la tarea actual.
13	<b>Menú de balanza</b>	Da acceso a las propiedades de la balanza.
14	Zona de información del método	Contiene información acerca de los identificadores de las muestras, de los métodos o de las tareas.
15	SmartTrac	Se utiliza como asistente de pesaje para definir un peso objetivo con tolerancias máxima y mínima.
16	Área del valor de pesaje	Muestra los resultados del proceso de pesaje actual.
17	<b>Nombre del método</b>	Muestra el nombre del método actual.

## 4 Instalación y puesta en marcha

### 4.1 Selección de la ubicación

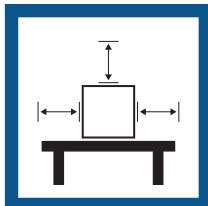
Una balanza es un instrumento de precisión sensible. La ubicación en la que se instale afectará en gran medida a la exactitud de los resultados de pesaje.

#### Requisitos de la ubicación

Colocación en interiores sobre una mesa estable



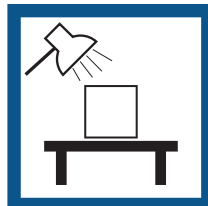
Asegúrese de que haya espacio suficiente



Nivele el instrumento

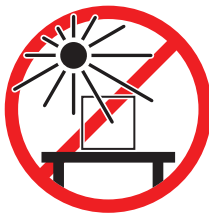


Proporcione una iluminación adecuada





Evite la exposición solar directa



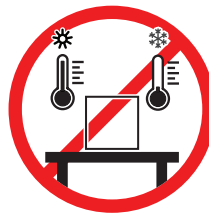
Evite las vibraciones



Evite las corrientes de aire fuertes



Evite los cambios de temperatura



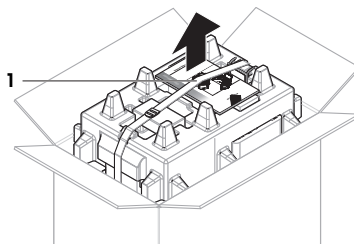
Separación suficiente para balanzas: >15 cm alrededor del instrumento

Tenga en cuenta las condiciones ambientales. Consulte "Características técnicas".

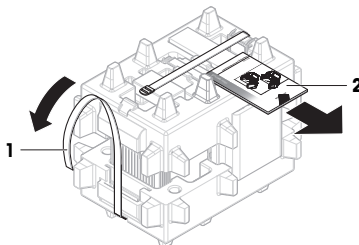
## 4.2 Desembalaje de la balanza

Compruebe si el paquete, los elementos del embalaje y los componentes suministrados presentan daños. Si algún componente está dañado, póngase en contacto con su representante de mantenimiento de METTLER TOLEDO.

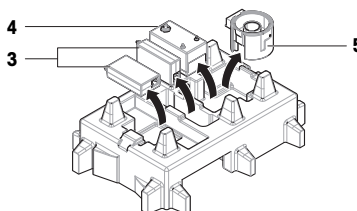
- 1 Abra la caja y saque el paquete con ayuda de la banda de sujeción (1).



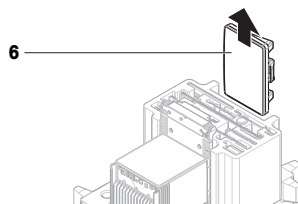
- 2 Abra la banda de sujeción (1) y saque el manual de usuario (2).



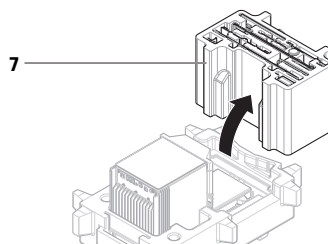
- 3 Retire la parte superior del embalaje y saque los adaptadores de CA/CC (3) y los cables de alimentación, la bomba (4) y la base de pipeteo con el contenedor de la trampa de evaporación (5).



4 Saque con cuidado el terminal (6).



5 Retire con cuidado el juego del paquete con el kit de calibración y el resto de componentes pequeños (7).

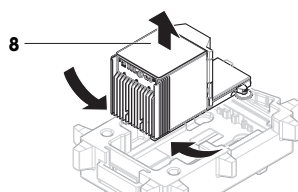


6 Saque con cuidado la unidad de pesaje (8) situada en el fondo del paquete.

7 Retire la bolsa protectora.

8 Guarde todas las partes del embalaje en un lugar seguro para su uso en el futuro.

➔ La unidad de pesaje está lista para el montaje.

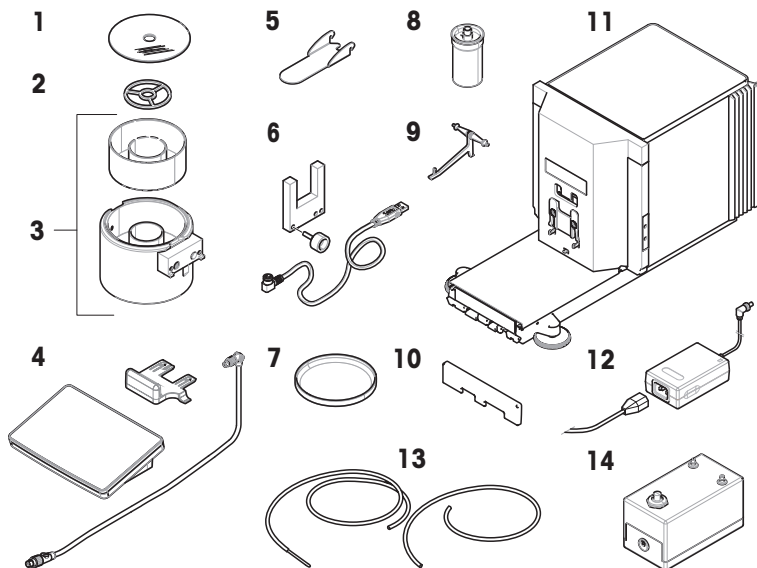


#### **Vea también a este respecto**

📖 Transporte, embalaje y almacenamiento ▶ página 18

### 4.3 Contenido de la entrega

#### 4.3.1 Balanza

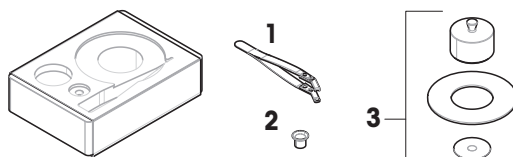


1	Cubierta de la trampa de evaporación	7	Plato colector
2	Anillo de centrado	8	Recipiente de pipeteo y tubo
3	Base de pipeteo con espaciador de barrera de luz y contenedor para la trampa de evaporación	9	Soporte del recipiente de pipeteo
4	Terminal con soporte del terminal y cable de conexión	10	Cubierta delantera
5	Puerta de la trampa de evaporación	11	Unidad de pesaje
6	Barrera de luz, tornillo de fijación y cable	12	Adaptador de CA/CC con cable de alimentación específico del país, 2 uds.
13	Tubos de la bomba, 2 uds. (un tubo con sensor)	14	Bomba

#### 4.3.2 Documentación

- Manual de usuario
- Declaración de conformidad
- Certificado de producción

#### 4.3.3 Kit de calibración



<b>1</b>	Pinzas de pesaje	<b>3</b>	Plato de pesaje, grande, con anillo de cubierta y cortacables
<b>2</b>	Plato de pesaje, pequeño		

## 4.4 Instalación

### 4.4.1 Fijación del terminal

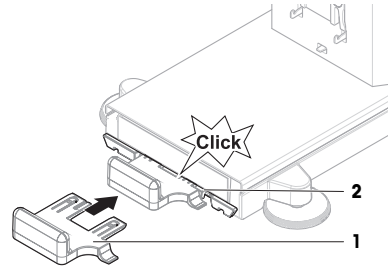


#### AVISO

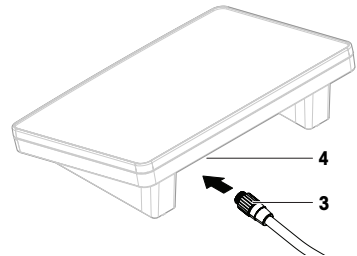
#### Cables dañados debido a una manipulación descuidada

- No doble ni retuerza los cables.

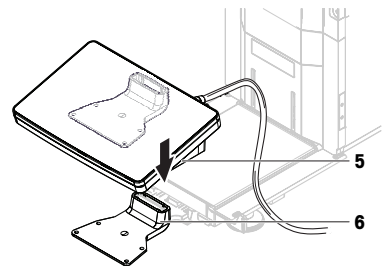
- 1 Introduzca las guías del soporte de la pantalla (1) en el frontal de la unidad de pesaje (2).



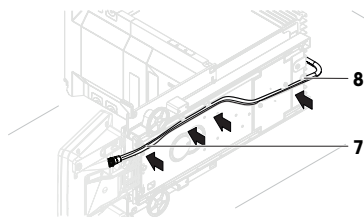
- 2 Conecte el cable del terminal (3) al terminal (4). Tenga en cuenta la asignación de clavijas.



- 3 Coloque el terminal (5) en su soporte (6).

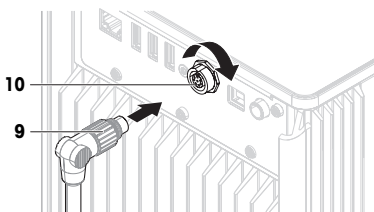


- 4 Incline con cuidado la balanza hacia su lateral.
- 5 Pase el cable (7) a través del canal para cables (8).
- 6 Vuelva a colocar con cuidado la balanza sobre sus patas.



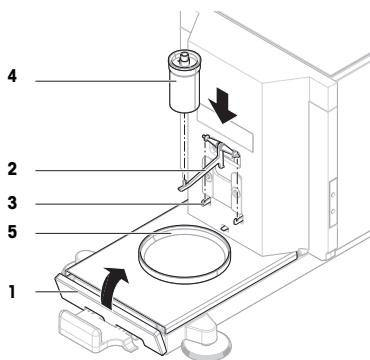
- 7 Introduzca el cable del terminal (9) en la toma de conexión de clavijas (10). Tenga en cuenta la asignación de clavijas.

➔ El terminal está listo.

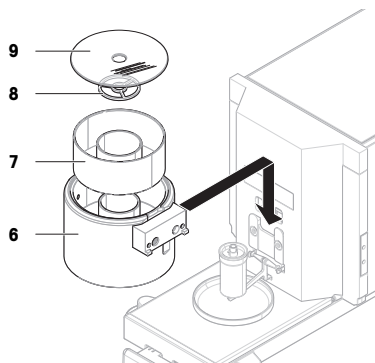


#### 4.4.2 Montaje de la balanza

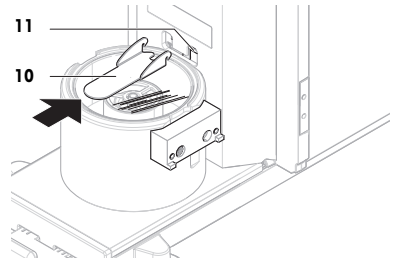
- 1 Instale la cubierta delantera (1).
- 2 Cuelgue con cuidado el soporte del recipiente de pipeteo (2) en los ganchos (3).
  - ➔ El soporte del recipiente de pipeteo (2) cuelga libremente.
- 3 Coloque con cuidado el recipiente de pipeteo (4) en su soporte (2).
- 4 Centre el plato colector (5) debajo del recipiente de pipeteo (4).



- 5 Deslice con cuidado la base de pipeteo (6) con el contenedor de la trampa de evaporación (7) verticalmente a lo largo de los rieles de guía y colóquela en el plato colector.
- ➔ La base de pipeteo centra el plato colector. No toca el recipiente de pipeteo (5) ni el soporte del recipiente de pipeteo (3).
- 6 Coloque el anillo de centrado (8) en el contenedor de la trampa de evaporación (7).
- 7 Coloque con cuidado la cubierta de la trampa de evaporación (9) sobre el contenedor de la trampa de evaporación (7).



- 8 Deslice la puerta de la trampa de evaporación (10) hacia atrás hasta que encaje en la varilla (11).



- 9 Conecte el cable de la barrera de luz (12) en la barrera de luz (13).

- 10 Instale la barrera de luz (13) en el espaciador de la barrera de luz (14) con el tornillo de fijación (15).

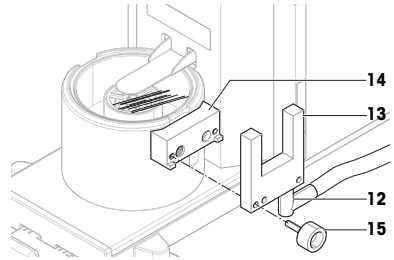
**Nota**

De forma predeterminada, la barrera de luz y el espaciador de la barrera de luz se instalan en el lado derecho de la base de pipeteo. De forma alternativa, estos elementos se pueden instalar en el lado izquierdo de la base de pipeteo.

- 11 Guíe el cable de la barrera de luz (12) a lo largo del lateral de la balanza, por debajo de la cubierta lateral.

- 12 Conecte el cable de la barrera de luz (12) a uno de los puertos USB-A de la parte posterior de la balanza.

➔ La balanza está montada y lista para su puesta en funcionamiento.



## 4.5 Puesta en marcha

### 4.5.1 Conexión de la balanza



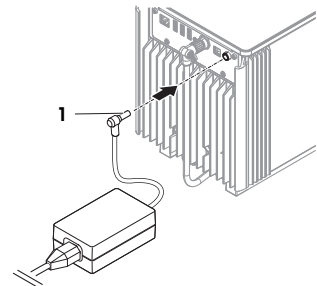
#### **⚠ ADVERTENCIA**

##### **Riesgo de muerte o de lesiones graves por descarga eléctrica**

El contacto con piezas que lleven corriente eléctrica activa puede provocar lesiones o la muerte.

- 1 Utilice únicamente el cable de alimentación y el adaptador de CA/CC de METTLER TOLEDO diseñados para su instrumento.
- 2 Conecte el cable de alimentación a una toma de corriente con conexión a tierra.
- 3 Mantenga todas las conexiones y los cables eléctricos alejados de los líquidos y de la humedad.
- 4 Compruebe si existen desperfectos en los cables y el conector, y sustitúyalos en caso de que estén dañados.

- 1 Instale los cables de modo que no puedan resultar dañados ni interferir en el funcionamiento.
- 2 Inserte el conector del adaptador de corriente CA/CC (1) en la toma de alimentación del instrumento.
- 3 Fije el conector apretando con firmeza la tuerca anular estriada.
- 4 Inserte el enchufe del cable de alimentación en una toma eléctrica con conexión a tierra a la que se pueda acceder fácilmente.



## Nota

No conecte el instrumento a una toma de corriente controlada con un interruptor. Después de encender el instrumento, deberá calentarse para poder ofrecer resultados exactos.

### Vea también a este respecto

Características generales ▶ página 23

## 4.5.2 Encendido de la balanza


### Acuerdo de licencia de usuario final (EULA, por sus siglas en inglés)

Quando la balanza se enciende por primera vez, en la pantalla se muestra el Acuerdo de licencia de usuario final (EULA, por sus siglas en inglés).

- 1 Lea las condiciones.
- 2 Pulse **Acepto los términos del acuerdo de licencia**, y confirme con **✓ Aceptar**.

### Calentamiento

Antes de que la balanza pueda ofrecer resultados fiables, deberá calentarse. Esta operación tarda un mínimo de 120 minutos tras haber conectado la balanza. Cuando se active desde el modo de reposo, la balanza estará lista para su uso.

- La balanza se ha calentado.
- Pulse .
  - ⇒ Se abre la pantalla principal de pesaje.

Al encender la balanza, aparece la pantalla principal de pesaje. La pantalla mostrará siempre la pantalla del último método que se utilizó antes de apagarla.

## 4.5.3 Nivelación de la balanza

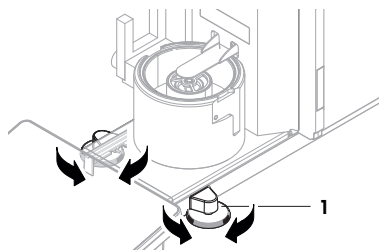
Para obtener unos resultados de pesaje precisos y reproducibles, es importante que el equipo se posicione de manera totalmente horizontal y estable.

Si aparece el mensaje **La balanza está fuera de nivel**:



- 1 Pulse **▶ Nivelar la balanza**.
  - ⇒ Se abre el **Ayuda nivelación**.
- 2 Gire las dos patas de nivelación (1) como se muestra en la pantalla, hasta que el punto se encuentre en el centro del indicador de nivel.

También se puede acceder a la ayuda de la nivelación a través de **Menú de balanza**:

**Navegación:** ▶ **Menú de balanza** >  **Ayuda nivelación**



## 4.5.4 Cómo realizar un ajuste interno

- El ajuste **Estrategia** está configurado en **Ajuste interno**.
- 1 Abra la sección **Métodos**, pulse , seleccione el ajuste y pulse **▶ Iniciar**  
- 0 -  
desde la pantalla principal de pesaje, pulse **--- Más** y pulse **Iniciar ajuste**.
  - ⇒ **Ajuste interno** se está ejecutando.
  - ⇒ Tras completar el ajuste, se mostrará una vista general de los resultados del ajuste.
- 2 Pulse  **Imprimir** si desea imprimir los resultados.
- 3 Pulse **✓ Finalizar ajuste**.
  - ⇒ La balanza está lista.

## 4.5.5 Realización de una comprobación de funcionamiento

Para realizar una comprobación de funcionamiento, utilice el kit de calibración suministrado con la balanza.



Para obtener más información, consulte el manual de referencia (MR).

► [www.mt.com/XPR26PC-RM](http://www.mt.com/XPR26PC-RM)

#### 4.5.6 Configuración de la balanza en el modo de reposo

La balanza puede configurarse en el modo de reposo manteniendo pulsado . Vuelva a mantener pulsado el botón para salir del modo de reposo.

#### 4.5.7 Apagado de la balanza

Para apagar la balanza por completo, es necesario desconectarla de la fuente de alimentación. Al mantener pulsado el botón , la balanza únicamente pasa al modo de reposo.



#### Nota

Si la balanza ha permanecido totalmente apagada durante cierto tiempo, deberá calentarse antes de poder utilizarla.

#### Vea también a este respecto

Encendido de la balanza ► página 15

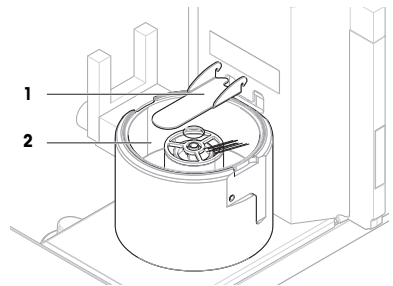
### 4.6 Realización de un ciclo de pipeteo

Para calibrar la pipeta, se debe utilizar agua destilada. El volumen de líquido se comprueba mediante comprobaciones gravimétricas.

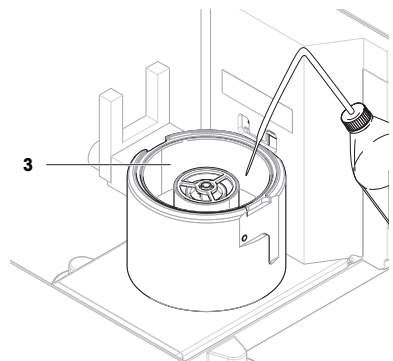
#### 4.6.1 Llenado del contenedor de la trampa de evaporación

La trampa de evaporación incluye un contenedor que debe llenarse de agua. Cuando la trampa de evaporación está cerrada, la humedad presente en el interior aumenta hasta que el aire se satura. Esto evita la evaporación del líquido del recipiente de pipeteo y asegura unos resultados de pesaje exactos.

- 1 Retire la puerta de la trampa de evaporación **(1)**.
- 2 Retire con cuidado la cubierta de la trampa de evaporación **(2)**.



- 3 Llene el contenedor de la trampa de evaporación **(3)** con agua destilada.
  - El contenedor de la trampa de evaporación se debe llenar al menos hasta la mitad (máximo 70 ml).
- 4 Vuelva a montar la balanza.
  - La puerta de la trampa de evaporación **(1)** está cerrada.
- 5 Espere al menos **120 minutos** para que el aire de la trampa de evaporación alcance el nivel de saturación.





#### 4.6.2 Puesta a cero de la balanza

- Pulse **→0←** para poner a cero la balanza.
- ⇒ La balanza se pone a cero.

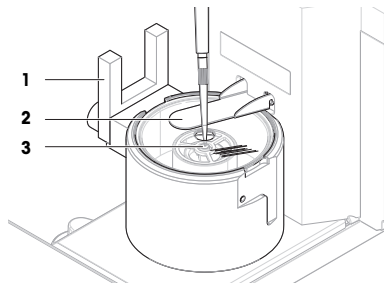
#### 4.6.3 Tara de la balanza

Antes de realizar una medición posterior, se debe tarar la balanza.

- Pulse **→T←** para tarar la balanza.
- ⇒ La balanza se tara. Aparece el icono **Net**.

#### 4.6.4 Realización de un ciclo de pipeteo

- La pipeta que se va a calibrar se prepara y se ajusta al volumen objetivo.
- 1 Utilice la pipeta para aspirar el volumen objetivo de agua destilada.
- 2 Active la barrera luminosa (1) o pulse **↓**.
  - ⇒ La puerta de la trampa de evaporación (2) se abre.
- 3 Dispense el líquido en el recipiente de pipeteo (3).
- 4 Active la barrera luminosa (1) o pulse **↓**.
  - ⇒ La puerta de la trampa de evaporación (2) se cierra.
  - ⇒ El resultado de pesaje se muestra.
- 5 Pulse **+ Añadir al protoc.** si desea realizar un informe sobre el resultado de pesaje.
  - ⇒ El valor del peso se puede ver en el **Protocolo**.



#### 4.6.5 Completar el pesaje

- 1 Para guardar el **Protocolo**, pulse **☰ Completar**.
  - ⇒ Se abre la ventana **Completar tarea**.
- 2 Seleccione una opción para guardar o imprimir el **Protocolo**.
  - ⇒ Se abre el cuadro de diálogo correspondiente.
- 3 Siga las instrucciones del asistente.
- 4 Pulse **✓ Completar**.
  - ⇒ El **Protocolo** se guarda o se imprime y a continuación se borra.

#### 4.6.6 Vaciado del recipiente de pipeteo

Vacíe periódicamente el recipiente de pipeteo para evitar que se desborde.

##### Vea también a este respecto

- 📄 Vaciado del recipiente de pipeteo ▶ página 20
- 📄 Limpieza tras un desbordamiento ▶ página 22

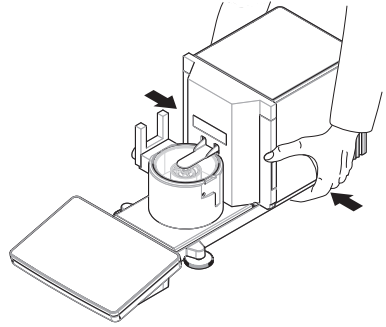
## 4.7 Transporte, embalaje y almacenamiento

### 4.7.1 Traslado de la balanza a corta distancia

- 1 Desconecte el adaptador de CA/CC y desenchufe todos los cables de la interfaz.
- 2 Sujete la plataforma de pesaje con las dos manos y transporte la balanza en posición horizontal hasta el lugar de destino. Tenga en cuenta los requisitos de la ubicación.

Si desea poner en funcionamiento la balanza, proceda como se indica a continuación:

- 1 Realice la conexión en orden inverso.
- 2 Deje tiempo suficiente para que la balanza se caliente.
- 3 Nivele la balanza.
- 4 Efectúe un ajuste interno.



#### Vea también a este respecto

- 📖 Selección de la ubicación ▶ página 8
- 📖 Encendido de la balanza ▶ página 15
- 📖 Nivelación de la balanza ▶ página 15
- 📖 Cómo realizar un ajuste interno ▶ página 15

### 4.7.2 Traslado de la balanza a larga distancia

METTLER TOLEDO recomienda utilizar el embalaje original para el transporte o el envío a larga distancia de la balanza o de sus componentes. Los elementos del embalaje original se han diseñado específicamente para la balanza y sus componentes, por lo que garantizan la mejor protección durante el transporte.

#### Vea también a este respecto

- 📖 Desembalaje de la balanza ▶ página 9

### 4.7.3 Embalaje y almacenamiento

#### Embalaje de la balanza

Guarde todas las partes del embalaje en un lugar seguro. Los elementos del embalaje original se han diseñado específicamente para la balanza y sus componentes, por lo que aseguran la mejor protección durante su transporte y almacenamiento.

#### Almacenamiento de la balanza

Almacene la balanza solo en las siguientes condiciones:

- en un espacio interior y en su embalaje original;
- de acuerdo con las condiciones ambientales, consulte los "Datos técnicos".

#### 📖 Nota

Si la balanza se almacena durante un periodo superior a seis meses, puede que la batería recargable esté descargada (solo se perderán los ajustes de fecha y hora).

#### Vea también a este respecto

- 📖 Características técnicas ▶ página 23

## 5 Mantenimiento

Para garantizar la funcionalidad de la balanza y la exactitud de los resultados de pesaje, el usuario debe llevar a cabo una serie de acciones de mantenimiento.



Para obtener más información, consulte el manual de referencia (MR).

► [www.mt.com/XPR26PC-RM](http://www.mt.com/XPR26PC-RM)

## 5.1 Tareas de mantenimiento

Acción de mantenimiento	Intervalo recomendado	Observaciones
Realización de un ajuste interno	<ul style="list-style-type: none"> <li>• Cada día</li> <li>• Después de la limpieza</li> <li>• Después de la nivelación</li> <li>• Después de cambiar la ubicación</li> </ul>	Consulte "Realización de un ajuste interno"
Realización de tests rutinarios (ensayo de excentricidad de carga, test de repetibilidad, test de sensibilidad). METTLER TOLEDO recomienda realizar, como mínimo, un test de sensibilidad.	<ul style="list-style-type: none"> <li>• Después de la limpieza</li> <li>• Después del montaje de la balanza</li> <li>• Después de una actualización de software</li> <li>• En función de sus normas internas (PNT)</li> </ul>	consulte "Tests" en el manual de referencia
Vaciado de los recipientes	<ul style="list-style-type: none"> <li>• En función de la frecuencia de uso del instrumento</li> <li>• En función de sus normas internas (PNT)</li> </ul>	consulte "Vaciado de los recipientes"
Limpieza	<ul style="list-style-type: none"> <li>• Después de cada uso</li> <li>• En función del grado de contaminación</li> <li>• En función de sus normas internas (PNT)</li> </ul>	consulte "Limpieza"
Actualización del software	<ul style="list-style-type: none"> <li>• En función de sus normas internas (PNT).</li> <li>• Tras una nueva actualización del software.</li> </ul>	consulte "Actualización de software" en el manual de referencia

### Vea también a este respecto

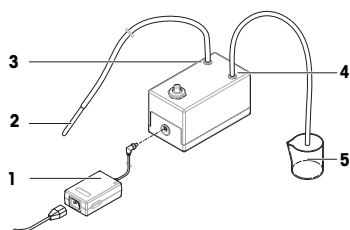
- 📖 Cómo realizar un ajuste interno ► página 15
- 📖 Limpieza ► página 21
- 📖 Vaciado de los recipientes ► página 19

## 5.2 Vaciado de los recipientes

### 5.2.1 Montaje de la bomba

Durante el uso normal, el recipiente de pipeteo y el contenedor de la trampa de evaporación están llenos de agua. La bomba sirve para extraer el agua de forma segura y eficaz, sin tener que desmontar el instrumento. El tubo de entrada tiene un sensor conectado para facilitar su manipulación. El tubo de salida sirve para evacuar el líquido aspirado.

- 1 Instale los cables de modo que no puedan resultar dañados ni interferir en el funcionamiento.
- 2 Inserte el conector del adaptador de corriente CA/CC (1) en la toma de alimentación.
- 3 Fije el conector apretando con firmeza la tuerca anular estriada.
- 4 Inserte el enchufe del cable de alimentación en una toma eléctrica con conexión a tierra a la que se pueda acceder fácilmente.



- 5 Conecte el tubo de la bomba con el sensor (2) a la boquilla IN (3).
- 6 Conecte el otro tubo de la bomba a la boquilla OUT (4).
- 7 Coloque el extremo libre del tubo en un recipiente adecuado para residuos líquidos (5).

### 5.2.2 Vaciado del recipiente de pipeteo

El recipiente de pipeteo debe vaciarse periódicamente para evitar un desbordamiento.



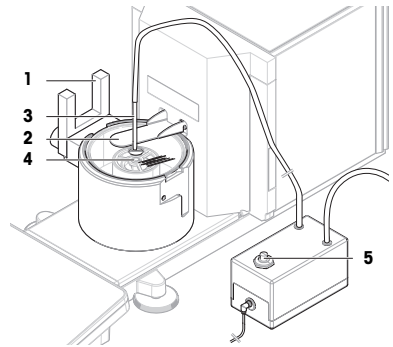
#### AVISO

##### **Daños en la bomba por un manejo inadecuado**

La bomba puede sufrir daños si se activa cuando no está en uso.

- Apague la bomba cuando no esté en uso.

- La bomba está montada.
  - El tubo de la bomba de salida se coloca en un recipiente adecuado para residuos líquidos.
- 1 Active la barrera luminosa (1) o pulse **↓**.
    - ➔ La puerta de la trampa de evaporación (2) se abre.
  - 2 Introduzca el sensor de la bomba (3) en el recipiente de pipeteo (4).
  - 3 Encienda la bomba (5).
    - ➔ El líquido se bombea y se recoge en el recipiente para residuos líquidos.
  - 4 Apague la bomba (5).
  - 5 Vuelva a montar la balanza.
    - ➔ La balanza está lista para su uso.



#### **Vea también a este respecto**

- 📖 Montaje de la bomba ▶ página 19

### 5.2.3 Vaciado del contenedor de la trampa de evaporación



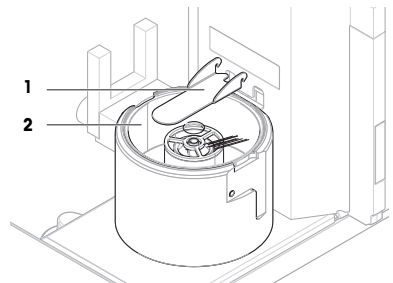
#### AVISO

##### **Daños en la bomba por un manejo inadecuado**

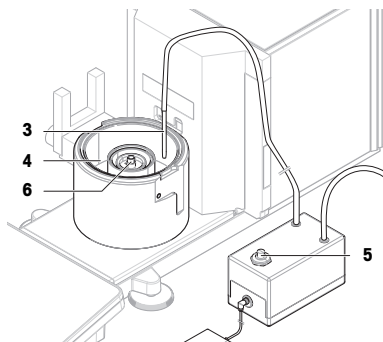
La bomba puede sufrir daños si se activa cuando no está en uso.

- Apague la bomba cuando no esté en uso.

- La bomba está montada.
  - El tubo de la bomba de salida se coloca en un recipiente adecuado para residuos líquidos.
- 1 Retire la puerta de la trampa de evaporación (1).
  - 2 Retire con cuidado la cubierta de la trampa de evaporación (2).



- 3 Introduzca el sensor de la bomba (3) en el contenedor de la trampa de evaporación (4).
- 4 Encienda la bomba (5).
  - ➔ El líquido se bombea y se recoge en el recipiente para residuos líquidos.
- 5 Si fuera necesario, utilice la bomba para vaciar el recipiente de pipeteo (6); consulte [Vaciado del recipiente de pipeteo ▶ página 20].
- 6 Apague la bomba (5).
- 7 También puede retirar el contenedor de la trampa de evaporación (4) para vaciarlo.
- 8 Vuelva a montar la balanza.



**Vea también a este respecto**

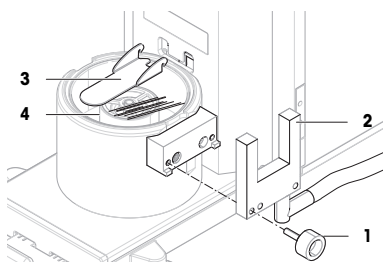
- 📖 Montaje de la bomba ▶ página 19

### 5.3 Limpieza

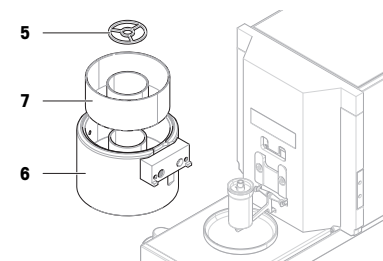
#### 5.3.1 Desmontaje para la limpieza

- Los recipientes están vacíos; consulte [Vaciado de los recipientes ▶ página 19].
- La balanza está apagada; consulte [Apagado de la balanza ▶ página 16].

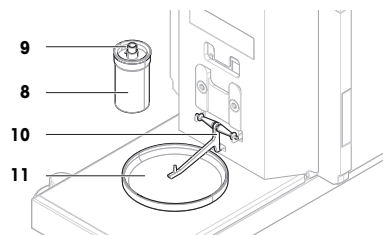
- 1 Extraiga el tornillo de fijación (1) y retire la barrera de luz (2) a un lado.
- 2 Retire la puerta de la trampa de evaporación (3).
- 3 Retire con cuidado la cubierta de la trampa de evaporación (4).



- 4 Retire el anillo de centrado (5).
- 5 Levante y retire con cuidado la base de pipeteo (6) junto con el contenedor de la trampa de evaporación (7).



- 6 Retire el recipiente de pipeteo (8) y desenrosque la cubierta que sujeta el tubo de pipeteo (9).
- 7 Retire con cuidado el soporte del recipiente de pipeteo (10).
- 8 Retire el plato colector (11).



### 5.3.2 Limpieza de la balanza



#### AVISO

##### **Daños en el instrumento por el uso de métodos de limpieza inadecuados**

Si entra líquido en la carcasa, el instrumento puede sufrir daños. La superficie del instrumento puede sufrir daños por el uso de determinados productos de limpieza, disolventes o abrasivos.

- 1 No pulverice ni vierta líquido sobre el instrumento.
- 2 Utilice únicamente los productos de limpieza especificados en el manual de referencia (MR) del instrumento o en la guía "8 Steps to a Clean Balance".
- 3 Utilice únicamente un paño ligeramente humedecido y sin pelusas o un pañuelo desechable para limpiar el instrumento.
- 4 Limpie cualquier derrame de inmediato.



Para obtener más información sobre la limpieza de una balanza, consulte "8 Steps to a Clean Balance".

► [www.mt.com/lab-cleaning-guide](http://www.mt.com/lab-cleaning-guide)

#### **Limpieza alrededor de la balanza**

- Elimine toda la suciedad o el polvo alrededor de la balanza para evitar una nueva contaminación.

#### **Limpieza del terminal**

- Limpie el terminal con un paño húmedo o un pañuelo desechable y un producto de limpieza suave.

#### **Limpieza de las piezas desmontables**

- Limpie las piezas desmontadas con un paño húmedo o un pañuelo desechable y un producto de limpieza suave.

#### **Limpieza de la unidad de pesaje**

- 1 Desconecte la balanza del adaptador de CA/CC.
- 2 Utilice un paño sin pelusas y humedecido con un detergente suave para limpiar la superficie de la balanza.
- 3 En primer lugar, quite el polvo o la suciedad con un pañuelo desechable.
- 4 Retire cualquier sustancia pegajosa con un paño húmedo sin pelusas y un disolvente suave (por ejemplo, isopropanol o etanol al 70 %).

### 5.3.3 Limpieza tras un desbordamiento

En caso de desbordamiento, por ejemplo, al llenar en exceso el recipiente de pipeteo, el exceso de líquido debe eliminarse inmediatamente.

- 1 Utilice la bomba para vaciar el contenedor de la trampa de evaporación; consulte [Vaciado del contenedor de la trampa de evaporación ► página 20].
- 2 Utilice la bomba para vaciar el recipiente de pipeteo; consulte [Vaciado del recipiente de pipeteo ► página 20].
- 3 Desmonte el resto de elementos y límpielos con un paño que no libere pelusa o con una toallita; consulte [Desmontaje para la limpieza ► página 21].
- 4 Vuelva a montar la balanza.

#### **Vea también a este respecto**

- 📖 Montaje de la bomba ► página 19

### 5.3.4 Puesta en marcha después de la limpieza

- 1 Vuelva a montar la balanza.
- 2 Compruebe si el terminal está conectado a la balanza.

- 3 Vuelva a conectar la balanza al adaptador de CA/CC.
  - 4 Compruebe la nivelación y nivele la balanza si fuera necesario.
  - 5 Respete el tiempo de calentamiento especificado en la ficha técnica.
  - 6 Efectúe un ajuste interno.
  - 7 Realice una prueba rutinaria de acuerdo con las normas internas de su empresa. METTLER TOLEDO recomienda realizar un test de sensibilidad después de limpiar la balanza.
  - 8 Pulse **→0←** para poner a cero la balanza.
- ➔ La balanza está lista para su uso.


### Vea también a este respecto

📖 Cómo realizar un ajuste interno ▶ página 15

## 6 Características técnicas

### 6.1 Características generales

#### Fuente de alimentación

Adaptador de CA/CC (n.º de modelo FSP060-DHAN3):	Entrada: 100–240 V CA $\pm 10\%$ , 50–60 Hz, 1,8 A Salida: 12 V CC, 5 A, LPS, SELV
Adaptador de CA/CC (n.º de modelo FSP060-DIBAN2):	Entrada: 100–240 V CA $\pm 10\%$ , 50–60 Hz, 1,5 A Salida: 12 V CC, 5 A, LPS, SELV
Cable para el adaptador de CA/CC:	3 polos, con enchufe específico del país
Consumo de energía de la balanza:	12 V CC $\pm 10\%$ , 2,25 A
Polaridad:	

#### Protección y estándares

Categoría de sobrevoltaje:	II
Grado de contaminación:	2
Estándares para la seguridad y CEM:	Consulte la Declaración de conformidad
Ámbito de aplicación:	Utilícese solo en lugares secos en interiores

#### Condiciones ambientales

Los valores límite se aplican cuando la balanza se utiliza bajo las siguientes condiciones ambientales:

Altura sobre el nivel del mar:	Hasta 5000 m
Temperatura ambiente:	De +10 a +30 °C
Cambio de temperatura, máx.:	5 °C/h
Humedad relativa en el aire:	30-70 %, sin condensación
Tiempo de aclimatación:	Al menos <b>8 horas</b> después de colocar el instrumento en el mismo lugar en el que se va a poner en funcionamiento.
Tiempo de calentamiento:	Mínimo <b>120 minutos</b> después de haber conectado la balanza a la fuente de alimentación. Si se conecta desde el modo de reposo, el equipo está listo para operar de forma inmediata.

La balanza puede utilizarse bajo las siguientes condiciones ambientales. No obstante, los resultados de pesaje de la balanza pueden estar fuera de los valores límite:

Temperatura ambiente:	De +5 a +40 °C
Humedad relativa en el aire:	De 20 % a máx. 80 % a 31 °C, con un decrecimiento lineal de hasta el 50 % a 40 °C, sin condensación

La balanza se puede desconectar y guardar en su embalaje bajo las siguientes condiciones:

Temperatura ambiente:	De -25 a +70 °C
Humedad relativa en el aire:	10-90 %, sin condensación

## 7 Eliminación de residuos

Conforme a las exigencias de la Directiva 2012/19/UE sobre residuos de aparatos eléctricos y electrónicos (RAEE), esta unidad no debe eliminarse con la basura doméstica. Esta prohibición es asimismo válida para los países que no pertenecen a la UE cuyas normativas nacionales en vigor así lo reflejan.



Elimine este producto, según las disposiciones locales, mediante el sistema de recogida selectiva de aparatos eléctricos y electrónicos. Si tiene alguna pregunta al respecto, diríjase a las autoridades responsables o al distribuidor que le proporcionó el equipo. En caso de que este dispositivo se transfiera a terceros, deberá transmitirse también el contenido de esta normativa.



# Table des matières

<b>1</b>	<b>Introduction</b>	<b>3</b>
1.1	Autres documents et informations .....	3
1.2	Acronymes et abréviations .....	4
1.3	Informations concernant la conformité .....	4
<b>2</b>	<b>Consignes de sécurité</b>	<b>5</b>
2.1	Définition des termes de notification et des symboles d'avertissement .....	5
2.2	Consignes de sécurité relatives au produit.....	5
<b>3</b>	<b>Structure et fonction</b>	<b>6</b>
3.1	Aperçu.....	6
3.2	Interface utilisateur .....	7
3.2.1	Coup d'œil sur les rubriques principales .....	7
3.2.2	Écran de pesage principal .....	7
<b>4</b>	<b>Installation et mise en route</b>	<b>9</b>
4.1	Sélection de l'emplacement .....	9
4.2	Déballage de la balance .....	9
4.3	Inclus dans la livraison .....	11
4.3.1	Balance .....	11
4.3.2	Documentation .....	11
4.3.3	Kit d'étalonnage .....	11
4.4	Installation .....	12
4.4.1	Fixation du terminal.....	12
4.4.2	Montage de la balance .....	13
4.5	Mise en service.....	14
4.5.1	Raccordement de la balance .....	14
4.5.2	Mise sous tension de la balance .....	15
4.5.3	Mise de niveau de la balance .....	15
4.5.4	Réalisation d'un calibrage interne.....	15
4.5.5	Vérification du fonctionnement .....	15
4.5.6	Réglage de la balance en mode veille.....	16
4.5.7	Arrêt de la balance .....	16
4.6	Exécution d'un cycle de pipetage .....	16
4.6.1	Remplissage du récipient du piège anti-évaporation .....	16
4.6.2	Remise à zéro de la balance .....	17
4.6.3	Tarage de la balance .....	17
4.6.4	Exécution d'un cycle de pipetage .....	17
4.6.5	Terminer une pesée .....	17
4.6.6	Vidange de la cuve pour pipetage .....	17
4.7	Transport, emballage et stockage.....	18
4.7.1	Transport de la balance sur de courtes distances .....	18
4.7.2	Transport de la balance sur de longues distances .....	18
4.7.3	Emballage et stockage.....	18
<b>5</b>	<b>Maintenance</b>	<b>18</b>
5.1	Tâches de maintenance.....	19
5.2	Vidange des récipients.....	19
5.2.1	Montage de la pompe.....	19
5.2.2	Vidange de la cuve pour pipetage .....	20
5.2.3	Vidange du récipient du piège anti-évaporation .....	20
5.3	Nettoyage .....	21
5.3.1	Démontage des pièces pour les nettoyer .....	21
5.3.2	Nettoyage de la balance.....	22

5.3.3	Nettoyage après un débordement .....	22
5.3.4	Mise en service après nettoyage.....	22
<b>6</b>	<b>Caractéristiques techniques</b>	<b>23</b>
6.1	Données générales .....	23
<b>7</b>	<b>Mise au rebut</b>	<b>24</b>

## 1 Introduction

Merci d'avoir choisi une balance METTLER TOLEDO. La balance allie haut niveau de performance et simplicité d'utilisation.

### EULA

Le logiciel de ce produit est cédé par le Contrat de licence METTLER TOLEDO d'utilisateur final (EULA) pour le logiciel.

► [www.mt.com/EULA](http://www.mt.com/EULA)

En utilisant ce produit, vous acceptez les dispositions de l'EULA.

### 1.1 Autres documents et informations

Ce document est disponible en ligne dans d'autres langues.

► [www.mt.com/pipcal](http://www.mt.com/pipcal)

Instructions pour le nettoyage d'une balance : "8 Steps to a Clean Balance"

► [www.mt.com/lab-cleaning-guide](http://www.mt.com/lab-cleaning-guide)

Recherche de téléchargements  
de logiciels

► [www.mt.com/labweighing-software-download](http://www.mt.com/labweighing-software-download)

Recherche de documents

► [www.mt.com/library](http://www.mt.com/library)

Pour toute autre question, veuillez contacter votre METTLER TOLEDO revendeur ou représentant de service agréé.

► [www.mt.com/contact](http://www.mt.com/contact)

## 1.2 Acronymes et abréviations

Terme source	Terme traduit	Description
ASTM		American Society for Testing and Materials (Société Américaine d'essais et matériaux)
EMC		Electromagnetic Compatibility (Compatibilité électromagnétique)
FCC		Federal Communications Commission (Commission fédérale des communications)
GWP		Good Weighing Practice
ID		Identification (Identification)
LPS		Limited Power Source (Source à puissance limitée)
MT-SICS		METTLER TOLEDO Standard Interface Command Set
NA		Not Applicable (Non applicable)
OIML		Organisation Internationale de Métrologie Légale
RFID		Radio-frequency identification (Identification par radiofréquence)
RM		Reference Manual (Manuel de référence)
sd		Standard deviation
SELV	TBTS	Safety Extra Low Voltage (Très basse tension de sécurité)
SOP	MON	Standard Operating Procedure (Mode Opérateur Normalisé)
SQC		Statistical Quality Control (Contrôle statistique de la qualité)
UM		User Manual (Manuel utilisateur)
USB		Universal Serial Bus (Bus universel en série)
USP		United States Pharmacopeia (Pharmacopée Américaine)

## 1.3 Informations concernant la conformité

Les documents d'approbation au niveau national, comme la déclaration de conformité du fournisseur FCC, sont disponibles en ligne et/ou inclus dans l'emballage.

► <http://www.mt.com/ComplianceSearch>



Consultez le Manuel de référence (MR) pour plus d'informations.

► [www.mt.com/XPR26PC-RM](http://www.mt.com/XPR26PC-RM)

## 2 Consignes de sécurité

Deux documents nommés « Manuel d'utilisation » et « Manuel de référence » sont proposés avec cet instrument.

- Le manuel d'utilisation est imprimé et fourni avec l'instrument.
- Le manuel de référence au format électronique offre une description exhaustive de l'instrument et de son utilisation.
- Conservez les deux documents pour pouvoir les consulter ultérieurement.
- Si vous prêtez l'appareil à une autre personne, fournissez-lui ces deux documents.

Utilisez l'instrument uniquement comme indiqué dans le manuel d'utilisation et le manuel de référence. Toute utilisation non conforme aux instructions fournies dans ces documents ou toute modification de l'instrument est susceptible de nuire à la sécurité de l'instrument et Mettler-Toledo GmbH ne saurait en aucun cas être tenue pour responsable.

### 2.1 Définition des termes de notification et des symboles d'avertissement

Les consignes de sécurité contiennent des informations importantes sur la sécurité. Si vous n'en tenez pas compte, vous risquez de vous blesser, d'endommager l'instrument, d'engendrer des dysfonctionnements et des résultats erronés. Les consignes de sécurité peuvent être identifiées grâce aux termes de signalisation et aux symboles d'avertissement suivants :

#### Termes de signalisation

<b>DANGER</b>	Signale une situation dangereuse présentant un risque élevé et pouvant résulter en des blessures graves ou mortelles, si la mise en garde n'est pas respectée.
<b>AVERTISSEMENT</b>	Signale une situation dangereuse présentant un risque moyen et pouvant entraîner des blessures graves ou mortelles, si la mise en garde n'est pas respectée.
<b>ATTENTION</b>	Signale une situation dangereuse impliquant un risque faible, susceptible d'entraîner des blessures légères ou modérées, si la mise en garde n'est pas respectée.
<b>AVIS</b>	Signale une situation dangereuse impliquant un risque faible, susceptible de causer des dommages matériels, notamment à l'instrument, des dysfonctionnements, des résultats erronés ou des pertes de données.

#### Symboles d'avertissement



Danger d'ordre général



Avis

### 2.2 Consignes de sécurité relatives au produit

#### Usage prévu

Cet instrument est destiné à être utilisé par du personnel formé. Cet instrument est conçu pour le pesage.

Sauf autorisation de Mettler-Toledo GmbH, tout autre type d'utilisation et de fonctionnement en dehors des caractéristiques techniques définies par Mettler-Toledo GmbH est considéré non conforme.

#### Responsabilités du propriétaire de l'instrument

Le propriétaire de l'instrument est la personne qui détient le titre de propriété de l'instrument et qui utilise l'instrument ou autorise une personne à l'utiliser, ou qui est réputée être l'opérateur de l'instrument aux yeux de la loi. Le propriétaire de l'instrument est responsable de la sécurité de tous les utilisateurs de l'instrument et des tiers.

Mettler-Toledo GmbH part du principe que le propriétaire de l'instrument forme les utilisateurs à une utilisation sûre de l'instrument sur leur lieu de travail et qu'il aborde les dangers que son utilisation implique. Mettler-Toledo GmbH part du principe que le propriétaire de l'instrument fournit l'équipement de protection nécessaire.

## Consignes de sécurité



### ⚠ AVERTISSEMENT

#### **Mort ou blessures graves à la suite d'une décharge électrique**

Tout contact avec les pièces sous tension peut entraîner des blessures graves ou la mort.

- 1 Utilisez uniquement le câble d'alimentation secteur et l'adaptateur CA/CC METTLER TOLEDO conçus pour votre instrument.
- 2 Branchez le câble d'alimentation à une prise électrique mise à la terre.
- 3 Tenez les câbles et les prises électriques à l'écart des liquides et de l'humidité.
- 4 Vérifiez que les câbles et la prise d'alimentation ne sont pas endommagés et remplacez-les en cas de dommage.



### AVIS

#### **Détérioration ou dysfonctionnement de l'instrument découlant de l'utilisation de pièces inadaptées**

- Veillez à n'utiliser que des pièces de METTLER TOLEDO destinées à être utilisées avec votre instrument.

Une liste des pièces détachées et des accessoires se trouve dans le manuel de référence.

## 3 Structure et fonction



Consultez le Manuel de référence (MR) pour plus d'informations.

► [www.mt.com/XPR26PC-RM](http://www.mt.com/XPR26PC-RM)

### 3.1 Aperçu

Voir les sections « Overview » (graphiques et légendes) au tout début de ce manuel.

## 3.2 Interface utilisateur

### 3.2.1 Coup d'œil sur les rubriques principales

L'écran de pesage principal (1) désigne le pivot de navigation où vous trouverez tous les menus et paramètres. Les menus **Menu Balance** (2), **Méthodes** (3) et **Protocole** (4) s'ouvrent si vous sélectionnez les onglets de l'écran de travail de la méthode.



Voir aussi à ce sujet

Écran de pesage principal ▶ page 7

### 3.2.2 Écran de pesage principal



Nom	Description
1 <b>Nom d'utilisateur</b>	Affiche le nom de l'utilisateur actuel.

	Nom	Description
2	Champ d'affichage de la valeur de la pesée	Affiche la valeur de la pesée en cours.
3	Niveau à bulle	Indique si la balance est de niveau (vert) ou pas (rouge).
4	Menu <b>Méthodes</b>	Accède à la liste des méthodes, tests et alignements définie par l'utilisateur.
5	<b>Info poids</b>	Affiche la valeur de la pesée en cours dans une autre unité.
6	Zone de messages d'avertissement et d'erreur	Affiche les messages d'avertissement et/ou d'erreur en cours.
7	Volet <b>Protocole</b>	Affiche les résultats de pesée récents.
8	Statut d'échantillon <b>OK</b>	Indicateur d'état du résultat vert : indique que le résultat répond à un ensemble de critères. Par exemple : <ul style="list-style-type: none"> <li>• La balance est de niveau.</li> <li>• Le calibrage interne est terminé et réussi.</li> <li>• Le résultat de pesée se situe dans la tolérance de poids définie (uniquement si une tolérance a été définie).</li> </ul>
9	Statut d'échantillon <b>Exclus</b>	Indicateur d'état du résultat noir : indique que le résultat a été exclu du compte-rendu.
10	Statut d'échantillon <b>Pas OK</b>	Indicateur d'état du résultat rouge : Indique que les critères de résultat ne sont pas satisfaits, par ex. : « Le résultat de pesée est en dehors des tolérances définies ».
11	Bouton <b>Ajouter au prot.</b>	Ajoute le résultat au compte-rendu. Le bouton peut avoir différentes fonctions selon la méthode sélectionnée.
12	Barre d'action	Contient des actions se rapportant à la tâche en cours.
13	<b>Menu Balance</b>	Accède aux propriétés de la balance.
14	Zone d'informations de la méthode	Contient des informations sur l'ID des échantillons, des méthodes ou des tâches.
15	SmartTrac	Utilisé comme une aide au pesage pour définir un poids cible avec des tolérances supérieure et inférieure.
16	Zone de la valeur de pesée	Affiche les résultats du procédé de pesage en cours.
17	<b>Nom de méthode</b>	Affiche le nom de la méthode en cours.



## 4 Installation et mise en route

### 4.1 Sélection de l'emplacement

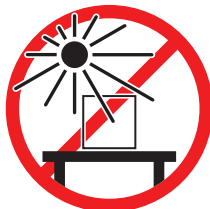
Une balance est un instrument de précision très sensible. L'emplacement de son installation influe notablement sur l'exactitude des résultats de pesée.

#### Exigences relatives à l'emplacement

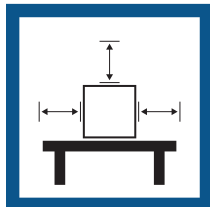
Installez-le à l'intérieur sur une table stable



Évitez toute exposition directe aux rayons du soleil



Laissez un espace suffisant tout autour



Évitez toute vibration



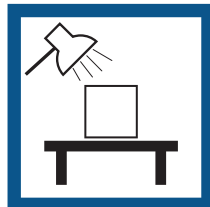
Mettez l'instrument de niveau



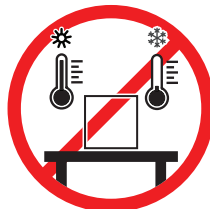
Évitez les courants d'air violents



Prévoyez un éclairage suffisant



Évitez tout changement de température



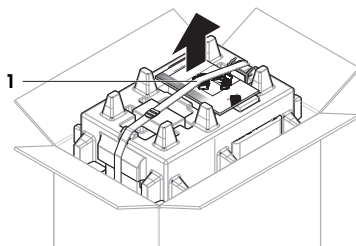
Espace suffisant pour les balances : > 15 cm tout autour de l'instrument.

Tenez compte des conditions environnementales. Voir "Caractéristiques techniques".

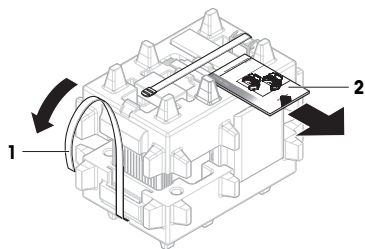
### 4.2 Déballage de la balance

Vérifiez que l'emballage, les éléments d'emballage et les composants livrés ne présentent aucun dommage. Si des composants sont endommagés, contactez votre représentant METTLER TOLEDO.

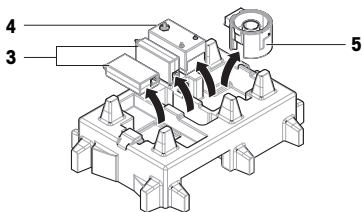
- 1 Ouvrez le carton et sortez le paquet à l'aide de la sangle de levage (1).



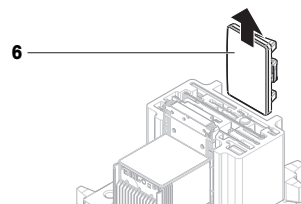
- 2 Défaites la sangle de levage (1) et sortez le Guide de l'utilisateur (2).



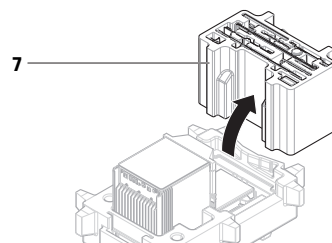
- 3 Retirez la partie supérieure de l'emballage et retirez les adaptateurs secteur (3) et les câbles d'alimentation, la pompe (4) et la base de pipetage avec le récipient du piège anti-évaporation (5).



- 4 Retirez soigneusement le terminal (6).



- 5 Retirez avec précaution l'ensemble contenant le kit d'éta-  
lonnage et les autres petits éléments (7).

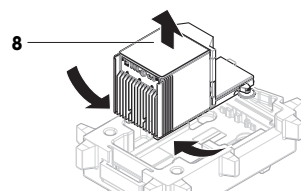


- 6 Retirez l'unité de pesage (8) de l'emballage inférieur  
avec précaution.

- 7 Retirez le sac de protection.

- 8 Conservez toutes les pièces d'emballage en lieu sûr pour  
une utilisation future.

➔ L'unité de pesage est prête à être assemblée.

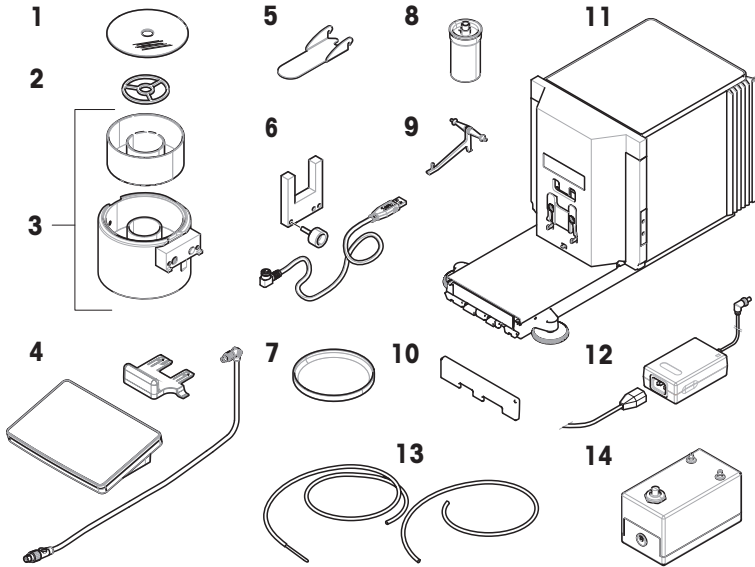


### Voir aussi à ce sujet

📄 Transport, emballage et stockage ▶ page 18

### 4.3 Inclus dans la livraison

#### 4.3.1 Balance

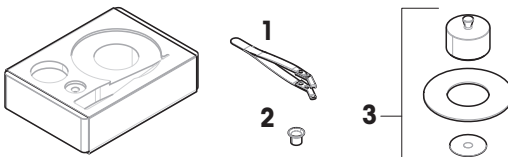


1	Couvercle du piège anti-évaporation	7	Plateau collecteur
2	Bague de centrage	8	Cuve et tube pour pipetage
3	Base de pipetage avec entretoise de la barrière photoélectrique et récipient du piège anti-évaporation	9	Support de cuve pour pipetage
4	Terminal avec support de terminal et câble de raccordement au terminal	10	Couvercle avant
5	Porte du piège anti-évaporation	11	Unité de pesage
6	Barrière photoélectrique, vis de fixation et câble	12	Adaptateur secteur doté d'un câble d'alimentation spécifique au pays, 2 unités
13	Tubes de pompe, 2 unités (un tube avec sonde)	14	Pompe

#### 4.3.2 Documentation

- Guide de l'utilisateur
- Déclaration de conformité
- Certificat de production

#### 4.3.3 Kit d'étalonnage



<b>1</b>	Pinces brucelles	<b>3</b>	Grand plateau de pesage avec anneau de protection et pare-brise
<b>2</b>	Petit plateau de pesage		

## 4.4 Installation

### 4.4.1 Fixation du terminal

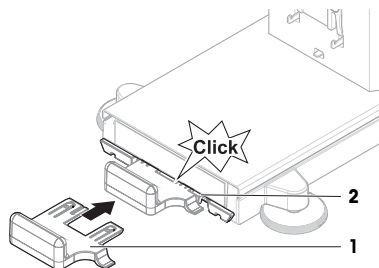


#### AVIS

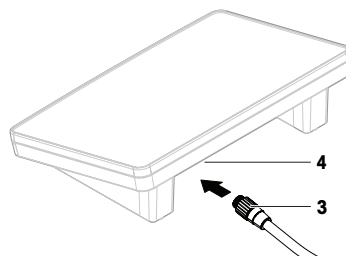
**Détérioration des câbles en cas de manipulation inappropriée.**

- Ne pas casser ni tordre les câbles.

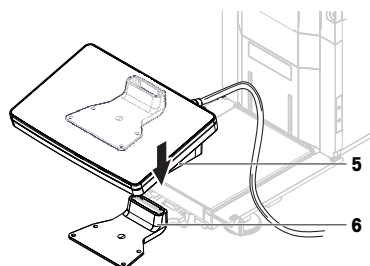
- 1 Insérez les guides du support d'écran (1) à l'avant de l'unité de pesage (2).



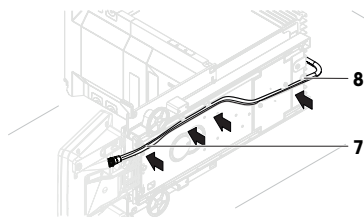
- 2 Connectez le câble du terminal (3) au terminal (4). Tenez compte de l'affectation des broches.



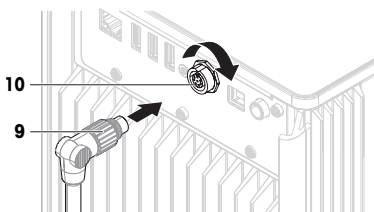
- 3 Placez le terminal (5) sur son support (6).



- 4 Inclinez la balance sur le côté, avec précaution.
- 5 Passez le câble (7) dans la rainure de câble (8).
- 6 Remplacez prudemment la balance sur ses pieds.

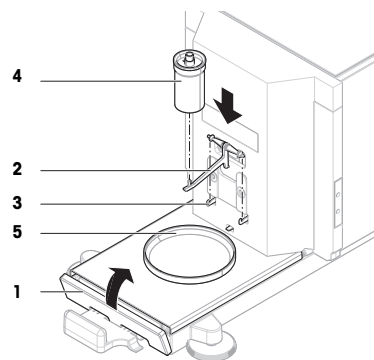


- 7 Insérez le câble du terminal (9) dans la prise de la balance (10). Tenez compte de l'affectation des broches.
- ➔ Le terminal est prêt.

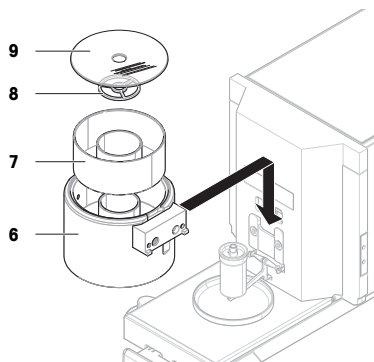


#### 4.4.2 Montage de la balance

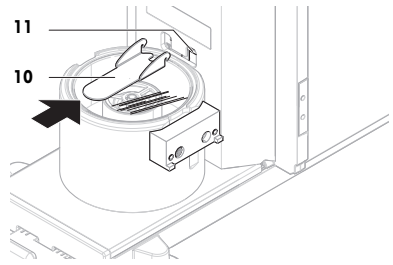
- 1 Installez le couvercle avant (1).
- 2 Accrochez avec précaution le support de cuve pour pipetage (2) aux crochets (3).  
➔ Le support de cuve pour pipetage (2) pend librement.
- 3 Placez soigneusement la cuve pour pipetage (4) sur le support de cuve pour pipetage (2).
- 4 Centrez le plateau collecteur (5) sous la cuve pour pipetage (4).



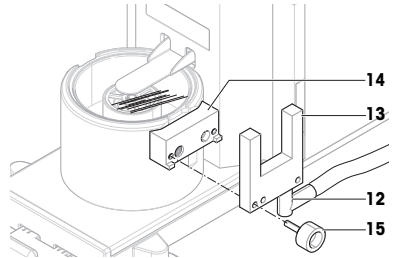
- 5 Faites glisser avec précaution la base de pipetage (6) avec le récipient du piège anti-évaporation (7) verticalement le long des rails de guidage et placez-la sur le plateau collecteur.  
➔ La base de pipetage est au centre du plateau collecteur. Elle ne touche ni la cuve pour pipetage (5), ni le support de cuve pour pipetage (3).
- 6 Placez la bague de centrage (8) sur le récipient du piège anti-évaporation (7).
- 7 Placez avec précaution le couvercle du piège anti-évaporation (9) sur le récipient du piège anti-évaporation (7).



- Faites glisser la porte du piège anti-évaporation (10) vers l'arrière jusqu'à ce qu'elle s'enclenche sur la tige (11).



- Raccordez le câble de la barrière photoélectrique (12) à la barrière photoélectrique (13).
- Installez la barrière photoélectrique (13) sur l'entretoise de la barrière photoélectrique (14) à l'aide de la vis de fixation (15).



**Remarque**

Par défaut, la barrière photoélectrique et l'entretoise de la barrière photoélectrique sont installées sur le côté droit de la base de pipetage. Ces éléments peuvent également être installés sur le côté gauche de la base de pipetage.

- Guidez le câble de la barrière photoélectrique (12) le long du côté de la balance, sous le capot latéral.
  - Raccordez le câble de la barrière photoélectrique (12) à l'un des ports USB-A à l'arrière de la balance.
- ➔ La balance est assemblée et prête à être mise en service.

## 4.5 Mise en service

### 4.5.1 Raccordement de la balance



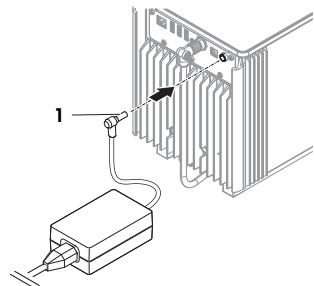
#### **AVERTISSEMENT**

##### **Mort ou blessures graves à la suite d'une décharge électrique**

Tout contact avec les pièces sous tension peut entraîner des blessures graves ou la mort.

- Utilisez uniquement le câble d'alimentation secteur et l'adaptateur CA/CC METTLER TOLEDO conçus pour votre instrument.
- Branchez le câble d'alimentation à une prise électrique mise à la terre.
- Tenez les câbles et les prises électriques à l'écart des liquides et de l'humidité.
- Vérifiez que les câbles et la prise d'alimentation ne sont pas endommagés et remplacez-les en cas de dommage.

- Disposez les câbles de façon à ce qu'ils ne puissent pas être endommagés ou qu'ils ne perturbent pas l'utilisation de l'instrument.
- Insérez la fiche de l'adaptateur secteur (1) dans la prise d'alimentation de l'instrument.
- Fixez la fiche en serrant bien l'écrou moleté.
- Branchez la fiche du câble d'alimentation dans une prise électrique mise à la terre et facile d'accès.



## Remarque

Ne raccordez pas l'instrument à une prise de courant contrôlée par un interrupteur. Après avoir mis l'instrument sous tension, il doit préchauffer avant de donner des résultats précis.

### Voir aussi à ce sujet

 Données générales ▶ page 23

## 4.5.2 Mise sous tension de la balance


### CLUF (Contrat de Licence Utilisateur Final)

Le CLUF apparaît à l'écran lorsque la balance est allumée pour la première fois.

- 1 Lisez les conditions d'utilisation.
- 2 Appuyez sur **J'accepte les termes du contrat de licence.** et confirmez avec **✓ OK.**

### Préchauffage

La balance doit préchauffer avant de fournir des résultats fiables. Le temps de préchauffage est d'au moins 120 minutes après le branchement de la balance. Lors de sa mise en marche depuis le mode veille, la balance est immédiatement opérationnelle.

- Le préchauffage est terminé.
- Appuyez sur .
  - ➔ L'écran de pesage principal s'ouvre.

L'écran de pesage principal s'ouvre lorsque la balance est allumée. La balance affiche toujours l'écran de la dernière méthode utilisée avant son arrêt.

## 4.5.3 Mise de niveau de la balance

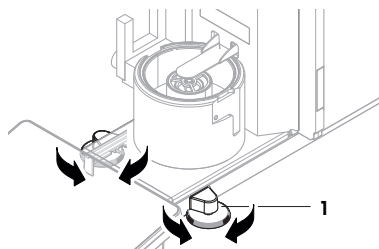
Il est indispensable d'assurer un positionnement parfaitement horizontal et une installation stable pour garantir des résultats de pesée précis et reproductibles.

Si le message **La balance n'est pas de niveau** apparaît :



- 1 Appuyez sur **▶ Mettre bal. de niv.**
  - ➔ Le menu **Aide mise niv.** s'ouvre.
- 2 Faites tourner les deux pieds de mise de niveau (1) comme indiqué sur l'afficheur jusqu'à ce que le point se trouve au centre du niveau à bulle.

L'aide à la mise de niveau est également accessible par le **Menu Balance** :

**Navigation** : ▶ **Menu Balance** >  **Aide mise niv.**



## 4.5.4 Réalisation d'un calibrage interne

- La **Stratégie** de calibrage est réglée sur **Ajustage interne.**
- 1 Ouvrez la section **Méthodes**, appuyez sur , sélectionnez le calibrage et appuyez sur **▶ Démarrer.**
    - ou -
    - à partir de l'écran de pesage principal, appuyez sur **--- Plus**, puis sur **Démarrer l'ajustage.**
      - ➔ **Ajustage interne** est en cours d'exécution.
      - ➔ Une fois l'ajustage terminé, un aperçu des résultats d'ajustage apparaît.
  - 2 Sélectionnez  **Imprimer** si vous souhaitez imprimer les résultats.
  - 3 Appuyez sur **✓ Terminer ajustage.**
    - ➔ La balance est prête.

## 4.5.5 Vérification du fonctionnement



Pour effectuer une vérification du fonctionnement, utilisez le kit d'étalonnage fourni avec la balance.




Consultez le Manuel de référence (MR) pour plus d'informations.

► [www.mt.com/XPR26PC-RM](http://www.mt.com/XPR26PC-RM)

#### 4.5.6 Réglage de la balance en mode veille

La balance peut être mise en veille en maintenant la touche  enfoncée. Pour quitter le mode veille, maintenez à nouveau la touche  enfoncée.

#### 4.5.7 Arrêt de la balance

Pour éteindre complètement la balance, vous devez la débrancher de l'alimentation électrique. Si vous maintenez la touche  enfoncée, la balance passe en mode veille.



#### Remarque

Lorsque la balance a été complètement éteinte pendant un certain temps, elle doit passer par une phase de préchauffage avant toute utilisation.

#### Voir aussi à ce sujet

 Mise sous tension de la balance ► page 15

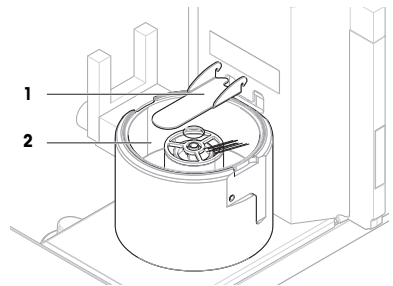
### 4.6 Exécution d'un cycle de pipetage

Pour étalonner la pipette, de l'eau distillée doit être utilisée. Le volume du liquide est vérifié au moyen de tests gravimétriques.

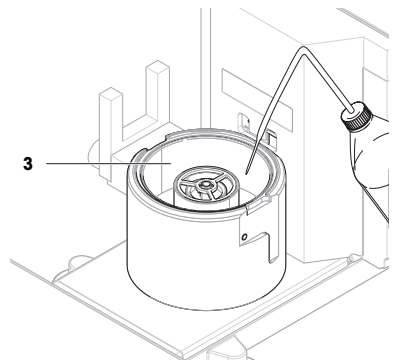
#### 4.6.1 Remplissage du récipient du piège anti-évaporation

Le piège anti-évaporation comprend un récipient qui doit être rempli d'eau. Lorsque le piège anti-évaporation est fermé, l'humidité intérieure augmente jusqu'à ce que l'air soit saturé. Cela évite l'évaporation du liquide dans la cuve pour pipetage et garantit des résultats de pesée précis.

- 1 Retirez la porte du piège anti-évaporation **(1)**.
- 2 Retirez avec précaution le couvercle du piège anti-évaporation **(2)**.



- 3 Remplissez le récipient du piège anti-évaporation **(3)** d'eau distillée.
  - Le récipient du piège anti-évaporation est au moins à moitié plein (70 ml maximum).
- 4 Remontez la balance.
  - La porte du piège anti-évaporation **(1)** est fermée.
- 5 Attendez au moins **120 minutes** pour permettre à l'air du piège anti-évaporation d'atteindre le point de saturation.





#### 4.6.2 Remise à zéro de la balance

- Appuyez sur →**O**← pour remettre la balance à zéro.
- ⇒ La balance est mise à zéro.

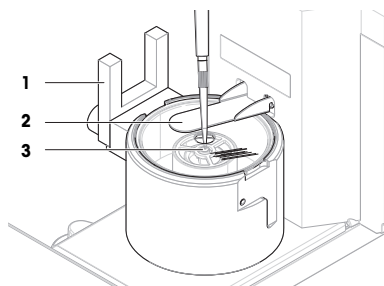
#### 4.6.3 Tarage de la balance

Avant toute mesure ultérieure, la balance doit être tarée.

- Appuyez sur →**T**← pour tarer la balance.
- ⇒ La balance est tarée. L'icône **Net** apparaît.

#### 4.6.4 Exécution d'un cycle de pipetage

- La pipette à étalonner est préparée et réglée sur le volume cible.
- 1 Utilisez la pipette pour aspirer le volume cible d'eau distillée.
  - 2 Activez la barrière photoélectrique (1) ou appuyez sur ↓.  
⇒ La porte du piège anti-évaporation (2) s'ouvre.
  - 3 Distribuez le liquide dans la cuve pour pipetage (3).
  - 4 Activez la barrière photoélectrique (1) ou appuyez sur ↓.  
⇒ La porte du piège anti-évaporation (2) se ferme.  
⇒ Le résultat de pesée s'affiche.
  - 5 Sélectionnez **+ Ajouter au prot.** si vous souhaitez un compte-rendu du résultat de pesée.  
⇒ La valeur pondérale est indiquée dans le menu **Protocole**.



#### 4.6.5 Terminer une pesée

- 1 Pour enregistrer le **Protocole**, appuyez sur **Terminer**.  
⇒ La fenêtre **Terminer tâche** s'ouvre.
- 2 Sélectionnez une option pour enregistrer ou imprimer le **Protocole**.  
⇒ La boîte de dialogue correspondante s'ouvre.
- 3 Suivez les instructions fournies par l'assistant.
- 4 Appuyez sur **Terminer**.  
⇒ Le **Protocole** est enregistré/imprimé, puis effacé.

#### 4.6.6 Vidange de la cuve pour pipetage

Videz régulièrement la cuve pour pipetage pour éviter tout débordement.

##### Voir aussi à ce sujet

- Vidange de la cuve pour pipetage ▶ page 20
- Nettoyage après un débordement ▶ page 22

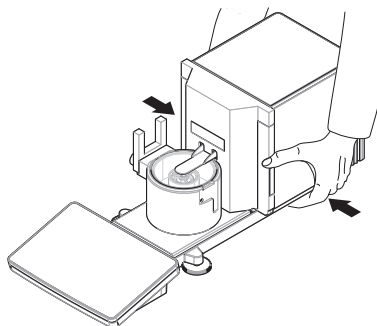
## 4.7 Transport, emballage et stockage

### 4.7.1 Transport de la balance sur de courtes distances

- 1 Débranchez l'adaptateur CA/CC et tous les câbles d'interface.
- 2 Saisissez la plateforme de pesage à deux mains et transportez la balance en position horizontale vers son nouvel emplacement. Tenez compte des exigences relatives à l'emplacement.

Continuez comme suit pour mettre la balance en service :

- 1 Branchez en ordre inverse.
- 2 Laissez suffisamment de temps à la balance pour chauffer.
- 3 Mettez la balance de niveau.
- 4 Effectuez un calibrage interne.



#### Voir aussi à ce sujet

- 📖 Sélection de l'emplacement ▶ page 9
- 📖 Mise sous tension de la balance ▶ page 15
- 📖 Mise de niveau de la balance ▶ page 15
- 📖 Réalisation d'un calibrage interne ▶ page 15

### 4.7.2 Transport de la balance sur de longues distances

METTLER TOLEDO recommande d'utiliser l'emballage d'origine pour transporter ou expédier la balance ou ses composants sur de longues distances. Les éléments de l'emballage d'origine ont été spécialement conçus pour la balance et ses composants. Ils garantissent donc une protection optimale durant le transport.

#### Voir aussi à ce sujet

- 📖 Déballage de la balance ▶ page 9

### 4.7.3 Emballage et stockage

#### Emballage de la balance

Conservez tous les éléments de l'emballage en lieu sûr. Les éléments de l'emballage d'origine ont été spécialement conçus pour la balance et ses composants. Ils garantissent donc une protection optimale durant le transport et le stockage.

#### Stockage de la balance

Ne stockez la balance que dans les conditions suivantes :

- En intérieur et dans l'emballage d'origine ;
- Selon les conditions environnementales, voir « Caractéristiques techniques ».

#### 📖 Remarque

En cas de stockage de plus de 6 mois, la batterie rechargeable peut se décharger (seules la date et l'heure sont perdues).

#### Voir aussi à ce sujet

- 📖 Caractéristiques techniques ▶ page 23

## 5 Maintenance

L'utilisateur doit exécuter un certain nombre de tâches de maintenance pour assurer la fonctionnalité de la balance et l'exactitude de ses résultats de pesée.



Consultez le Manuel de référence (MR) pour plus d'informations.

► [www.mt.com/XPR26PC-RM](http://www.mt.com/XPR26PC-RM)

## 5.1 Tâches de maintenance

Action de maintenance	Intervalle recommandé	Remarques
Réalisation d'un calibrage interne	<ul style="list-style-type: none"> <li>Tous les jours</li> <li>Après le nettoyage</li> <li>Après la mise de niveau</li> <li>Après un changement d'emplacement</li> </ul>	voir "Réalisation d'un calibrage interne"
Réalisation de tests de routine (essai d'excentration de charge, test de répétabilité, test de sensibilité). METTLER TOLEDO recommande d'effectuer au moins un test de sensibilité.	<ul style="list-style-type: none"> <li>Après le nettoyage</li> <li>Après l'assemblage de la balance</li> <li>Après une mise à jour du logiciel</li> <li>Selon votre réglementation interne (SOP)</li> </ul>	voir "Tests" dans le Manuel de référence
Vidange des récipients	<ul style="list-style-type: none"> <li>Selon la fréquence d'utilisation de l'instrument</li> <li>Selon votre réglementation interne (SOP)</li> </ul>	voir "Vidange des récipients"
Nettoyage	<ul style="list-style-type: none"> <li>Après chaque utilisation</li> <li>En fonction du degré de pollution</li> <li>Selon votre réglementation interne (SOP)</li> </ul>	voir "Nettoyage"
Mise à jour du logiciel	<ul style="list-style-type: none"> <li>Selon votre réglementation interne (SOP).</li> <li>Après une nouvelle version de logiciel.</li> </ul>	voir "Mise à jour du logiciel" dans le Manuel de référence

### Voir aussi à ce sujet

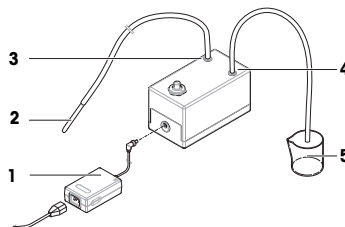
- 📄 Réalisation d'un calibrage interne ► page 15
- 📄 Nettoyage ► page 21
- 📄 Vidange des récipients ► page 19

## 5.2 Vidange des récipients

### 5.2.1 Montage de la pompe

Lors d'une utilisation normale, la cuve pour pipetage et le récipient du piège anti-évaporation sont remplis d'eau. La pompe sert à éliminer l'eau de manière sûre et efficace, sans qu'il ne soit nécessaire de démonter l'instrument. Le tube d'admission est muni d'une sonde pour faciliter la manipulation. Le tube de sortie sert à éliminer le liquide aspiré.

- 1 Disposez les câbles de façon à ce qu'ils ne puissent pas être endommagés ou qu'ils ne perturbent pas l'utilisation de l'instrument.
- 2 Insérez la fiche de l'adaptateur secteur (1) dans la prise de courant.
- 3 Fixez la fiche en serrant bien l'écrou moleté.
- 4 Branchez la fiche du câble d'alimentation dans une prise électrique mise à la terre et facile d'accès.
- 5 Raccordez le tube de la pompe avec la sonde (2) à l'embout IN (3).



- 6 Raccordez l'autre tube de la pompe à l'embout OUT (4).
- 7 Placez l'extrémité libre du tube dans un récipient adapté aux déchets liquides (5).

### 5.2.2 Vidange de la cuve pour pipetage

La cuve pour pipetage doit être vidée régulièrement pour éviter tout débordement.



#### AVIS

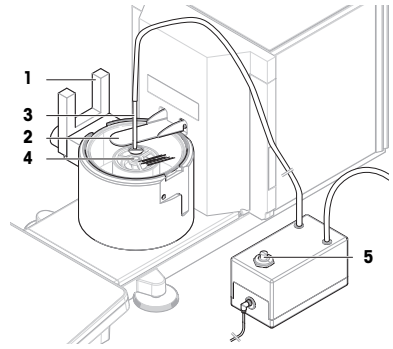
##### Endommagement de la pompe dû à une manipulation inappropriée

Si la pompe est mise en marche alors qu'elle n'est pas utilisée, elle risque d'être endommagée.

- Éteignez la pompe lorsqu'elle n'est pas utilisée.

- La pompe est montée.
- Le tube de sortie de la pompe est placé dans un récipient adapté aux déchets liquides.

- 1 Activez la barrière photoélectrique (1) ou appuyez sur .
  - ➔ La porte du piège anti-évaporation (2) s'ouvre.
- 2 Introduisez la sonde de la pompe (3) dans la cuve pour pipetage (4).
- 3 Mettez la pompe en marche (5).
  - ➔ Le liquide est pompé et collecté dans le récipient pour déchets liquides.
- 4 Arrêtez la pompe (5).
- 5 Remontez la balance.
  - ➔ La balance est prête à l'emploi.



#### Voir aussi à ce sujet

- Montage de la pompe ▶ page 19

### 5.2.3 Vidange du récipient du piège anti-évaporation



#### AVIS

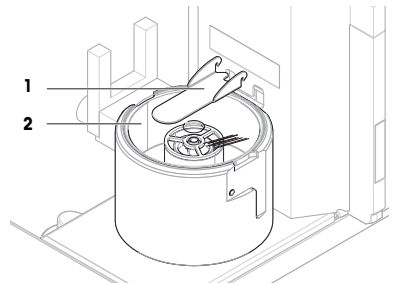
##### Endommagement de la pompe dû à une manipulation inappropriée

Si la pompe est mise en marche alors qu'elle n'est pas utilisée, elle risque d'être endommagée.

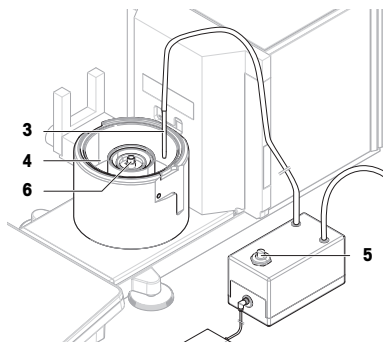
- Éteignez la pompe lorsqu'elle n'est pas utilisée.

- La pompe est montée.
- Le tube de sortie de la pompe est placé dans un récipient adapté aux déchets liquides.

- 1 Retirez la porte du piège anti-évaporation (1).
- 2 Retirez avec précaution le couvercle du piège anti-évaporation (2).



- 3 Introduisez la sonde de la pompe (3) dans le récipient du piège anti-évaporation (4).
- 4 Mettez la pompe en marche (5).
  - ➔ Le liquide est pompé et collecté dans le récipient pour déchets liquides.
- 5 Si nécessaire, utilisez la pompe pour vider la cuve pour pipetage (6), voir [Vidange de la cuve pour pipetage ▶ page 20].
- 6 Arrêtez la pompe (5).
- 7 Sinon, retirez le récipient du piège anti-évaporation (4) pour le vider.
- 8 Remontez la balance.



#### Voir aussi à ce sujet

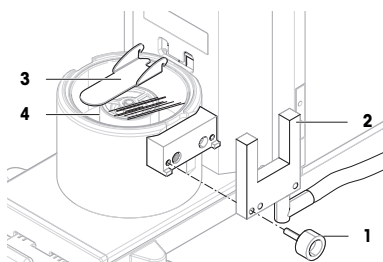
- 📖 Montage de la pompe ▶ page 19

## 5.3 Nettoyage

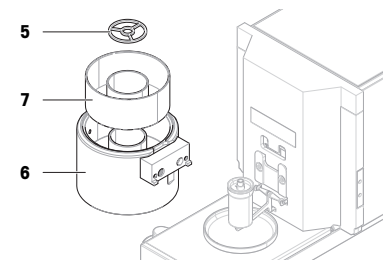
### 5.3.1 Démontage des pièces pour les nettoyer

- Les récipients sont vides, voir [Vidange des récipients ▶ page 19].
- La balance est éteinte, voir [Arrêt de la balance ▶ page 16].

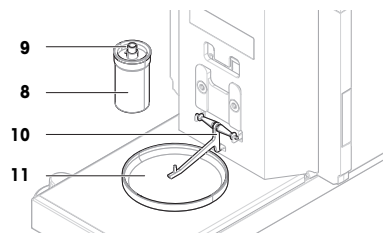
- 1 Retirez la vis de fixation (1) et mettez la barrière photo-électrique (2) de côté.
- 2 Retirez la porte du piège anti-évaporation (3).
- 3 Retirez avec précaution le couvercle du piège anti-évaporation (4).



- 4 Retirez la bague de centrage (5).
- 5 Soulevez et retirez avec précaution la base de pipetage (6) avec le récipient du piège anti-évaporation (7).



- 6 Retirez la cuve pour pipetage (8) et dévissez le couvercle maintenant le tube de pipetage (9).
- 7 Retirez avec précaution le support de cuve pour pipetage (10).
- 8 Retirez le plateau collecteur (11).



### 5.3.2 Nettoyage de la balance



#### AVIS

##### **Dommages causés à l'instrument par l'utilisation de méthodes de nettoyage inappropriées**

L'infiltration de liquide dans le boîtier peut endommager l'instrument. La surface de l'instrument peut être endommagée par certains produits de nettoyage, solvants ou abrasifs.

- 1 Ne pas pulvériser ni verser de liquide sur l'instrument.
- 2 Utiliser uniquement les produits de nettoyage indiqués dans le manuel de référence (MR) de l'instrument ou le guide "8 Steps to a Clean Balance".
- 3 Utiliser uniquement un chiffon légèrement humide et non pelucheux ou du papier absorbant pour nettoyer l'instrument.
- 4 Essuyez immédiatement toute trace de liquide.



Pour plus d'informations sur le nettoyage d'une balance, se reporter à "8 Steps to a Clean Balance".

► [www.mt.com/lab-cleaning-guide](http://www.mt.com/lab-cleaning-guide)

#### **Nettoyage autour de la balance**

- Éliminez toutes les poussières autour de la balance et évitez toute contamination supplémentaire.

#### **Nettoyage du terminal**

- Nettoyez le terminal à l'aide d'un chiffon humide ou de papier absorbant et d'un nettoyant doux.

#### **Nettoyage des pièces amovibles**

- Nettoyez les pièces démontées à l'aide d'un chiffon humide ou de papier absorbant et d'un nettoyant doux.

#### **Nettoyage de l'unité de pesage**

- 1 Débranchez la balance de l'adaptateur CA/CC.
- 2 Utilisez un chiffon humide non pelucheux et un nettoyant doux pour nettoyer la surface de la balance.
- 3 Enlevez d'abord les poudres et les poussières à l'aide d'un papier jetable.
- 4 Éliminez les substances collantes à l'aide d'un chiffon humide non pelucheux et d'un solvant doux (p. ex. isopropanol ou éthanol 70 %).

### 5.3.3 Nettoyage après un débordement

En cas de débordement, par exemple en cas de remplissage excessif de la cuve pour pipetage, l'excès de liquide doit être immédiatement éliminé.

- 1 Utilisez la pompe pour vider le récipient du piège anti-évaporation, voir [Vidange du récipient du piège anti-évaporation ► page 20].
- 2 Utilisez la pompe pour vider la cuve pour pipetage, voir [Vidange de la cuve pour pipetage ► page 20].
- 3 Démontez les éléments restants et nettoyez-les avec un chiffon non pelucheux ou du papier absorbant, voir [Démontage des pièces pour les nettoyer ► page 21].
- 4 Remontez la balance.

#### **Voir aussi à ce sujet**

📖 Montage de la pompe ► page 19

### 5.3.4 Mise en service après nettoyage

- 1 Remontez la balance.
- 2 Vérifiez que le terminal est branché à la balance.
- 3 Raccordez la balance à l'adaptateur secteur.
- 4 Vérifiez le niveau et au besoin, procédez à une mise de niveau de la balance.
- 5 Respectez le temps de préchauffage indiqué dans les « Caractéristiques techniques ».

- 6 Effectuez un calibrage interne.
  - 7 Effectuez un test de routine conformément à la réglementation interne de votre entreprise. METTLER TOLEDO recommande d'effectuer un test de sensibilité après le nettoyage de la balance.
  - 8 Appuyez sur **→0←** pour remettre la balance à zéro.
- ⇒ La balance est prête à l'emploi.


### Voir aussi à ce sujet

📄 Réalisation d'un calibrage interne ▶ page 15

## 6 Caractéristiques techniques

### 6.1 Données générales

#### Alimentation

Adaptateur CA/CC (réf. du modèle FSP060-DHAN3) :	Entrée : 100 – 240 V CA ± 10 %, 50 – 60 Hz, 1,8 A Sortie : 12 V CC, 5 A, LPS, SELV
Adaptateur CA/CC (réf. du modèle FSP060-DIBAN2) :	Entrée : 100 – 240 V CA ± 10 %, 50 – 60 Hz, 1,5 A Sortie : 12 V CC, 5 A, LPS, SELV
Câble de l'adaptateur secteur :	3 conducteurs, avec fiche spécifique au pays
Consommation électrique de la balance :	12 V CC ± 10 %, 2,25 A
Polarité :	

#### Protection et normes

Catégorie de surtension :	II
Degré de pollution :	2
Normes de sécurité et CEM :	Voir la déclaration de conformité
Gamme d'applications :	Utilisez uniquement le dispositif à l'intérieur, dans un endroit sec

#### Conditions environnementales

Les valeurs limites s'appliquent lorsque la balance est en service dans les conditions environnementales suivantes :

Altitude au-dessus du niveau moyen de la mer :	Jusqu'à 5 000 m
Température ambiante :	+10 – +30 °C
Écart de température, max. :	5 °C/h
Humidité relative de l'air :	30 – 70 %, sans condensation
Temps d'acclimatation :	<b>8 heures</b> minimum après avoir placé l'instrument au même endroit que sa mise en service.
Temps de préchauffage :	<b>120 minutes</b> minimum après raccordement de la balance à l'alimentation. Lors d'une mise en marche depuis le mode veille, l'instrument est immédiatement opérationnel.

La balance peut être utilisée dans les conditions environnementales suivantes. Cependant, les performances de pesée de la balance peuvent dépasser les valeurs limites :

Température ambiante :	+5 – +40 °C
Humidité relative de l'air :	20 % à max. 80 % à 31 °C, décroissante de manière linéaire jusqu'à 50 % à 40 °C, sans condensation

La balance peut être débranchée et stockée dans son emballage dans les conditions suivantes :

Température ambiante :	-25 – +70 °C
Humidité relative de l'air :	10 – 90 %, sans condensation

## 7 Mise au rebut

Conformément à la directive européenne 2012/19/CE relative à la mise au rebut des équipements électriques et électroniques (WEEE), ce dispositif ne doit pas être jeté avec les déchets ménagers. Logiquement, ceci est aussi valable pour les pays en dehors de l'UE conformément aux réglementations nationales en vigueur.



Veillez éliminer cet appareil conformément aux prescriptions locales dans un conteneur séparé pour appareils électriques et électroniques. Pour toute question, adressez-vous aux autorités compétentes ou au revendeur chez qui vous avez acheté cet appareil. En cas de transmission de ce dispositif à des tiers, le contenu de cette réglementation doit également être joint.



# 目录

<b>1</b>	<b>简介</b>	<b>3</b>
1.1	更多文档和信息 .....	3
1.2	缩略语 .....	4
1.3	合规性信息 .....	4
<b>2</b>	<b>安全须知</b>	<b>5</b>
2.1	警示语与警告标志的定义 .....	5
2.2	特定产品的安全信息 .....	5
<b>3</b>	<b>设计和功能</b>	<b>6</b>
3.1	概述 .....	6
3.2	用户界面 .....	7
3.2.1	主界面概述 .....	7
3.2.2	主称重屏幕 .....	7
<b>4</b>	<b>安装与投入使用</b>	<b>8</b>
4.1	选择位置 .....	8
4.2	开箱取出天平 .....	9
4.3	交货清单 .....	11
4.3.1	天平 .....	11
4.3.2	文档记录 .....	11
4.3.3	校准套件 .....	11
4.4	安装 .....	12
4.4.1	连接显示终端 .....	12
4.4.2	组装天平 .....	13
4.5	使用天平 .....	14
4.5.1	连接天平 .....	14
4.5.2	打开天平 .....	15
4.5.3	调节天平水平 .....	15
4.5.4	进行内部校正 .....	15
4.5.5	执行功能检查 .....	15
4.5.6	将天平设置为待机模式 .....	16
4.5.7	关闭天平 .....	16
4.6	执行移液循环 .....	16
4.6.1	填充防蒸发阱容器 .....	16
4.6.2	天平归零 .....	17
4.6.3	去皮 .....	17
4.6.4	执行移液循环循环 .....	17
4.6.5	完成称量 .....	17
4.6.6	清空移液容器 .....	17
4.7	运输、包装和存储 .....	18
4.7.1	短距离运输天平 .....	18
4.7.2	远距离运输天平 .....	18
4.7.3	包装和存储 .....	18

---

<b>5</b>	<b>保养</b>	<b>18</b>
5.1	维护任务 .....	19
5.2	清空容器 .....	19
5.2.1	组装泵 .....	19
5.2.2	清空移液容器 .....	20
5.2.3	情况防蒸发阱容器 .....	20
5.3	清洁 .....	21
5.3.1	拆卸进行清洁 .....	21
5.3.2	清洁天平 .....	22
5.3.3	溢出后清洁 .....	22
5.3.4	清洁后投入使用 .....	22
<b>6</b>	<b>技术参数</b>	<b>23</b>
6.1	通用数据 .....	23
<b>7</b>	<b>丢弃</b>	<b>24</b>

---

# 1 简介

感谢您选择METTLER TOLEDO天平。这款天平具有优质性能且易于使用。

## EULA

本产品中的软件按照METTLER TOLEDO软件的最终用户许可证协议（EULA）获得授权。

▶ [www.mt.com/EULA](http://www.mt.com/EULA)

使用本产品表明您同意EULA的条款。

## 1.1 更多文档和信息

公司网站提供本文档的其他语言版本。

▶ [www.mt.com/pipcal](http://www.mt.com/pipcal)

天平清洁说明。"8 Steps to a Clean Balance"

▶ [www.mt.com/lab-cleaning-guide](http://www.mt.com/lab-cleaning-guide)

搜索软件

▶ [www.mt.com/labweighing-software-download](http://www.mt.com/labweighing-software-download)

搜索文档

▶ [www.mt.com/library](http://www.mt.com/library)

如有更多疑问，请与您的授权 METTLER TOLEDO 经销商或服务代表联系。

▶ [www.mt.com/contact](http://www.mt.com/contact)

## 1.2 缩略语

原文	说明
ASTM	American Society for Testing and Materials (美国试验与材料协会)
EMC	Electromagnetic Compatibility (电磁兼容)
FCC	Federal Communications Commission (美国联邦通讯委员会)
GWP	Good Weighing Practice
ID	Identification (标识)
LPS	Limited Power Source (限功率电源)
MT-SICS	METTLER TOLEDO Standard Interface Command Set (METTLER TOLEDO标准接口命令集)
NA	Not Applicable (不适用)
OIML	Organisation Internationale de Métrologie Légale (国际法制计量组织)
RFID	Radio-frequency identification (射频识别)
RM	Reference Manual (参考手册)
sd	Standard deviation
SELV	Safety Extra Low Voltage (额定安全低电压)
SOP	Standard Operating Procedure (标准操作程序)
SQC	Statistical Quality Control (统计质量控制)
UM	User Manual (简明用户手册)
USB	Universal Serial Bus
USP	United States Pharmacopeia (美国药典)

## 1.3 合规性信息

国家审批文档，例如FCC供应商一致性声明，可在线获取和/或包含在包装中。

► <http://www.mt.com/ComplianceSearch>



有关完整信息，请查阅《参考手册（RM）》。

► [www.mt.com/XPR26PC-RM](http://www.mt.com/XPR26PC-RM)

## 2 安全须知

本仪器随附《用户手册》和《参考手册》两个文档。

- 《用户手册》随本仪器打印并交付。
- 电子版《参考手册》包含本仪器及其使用的全面描述。
- 请妥善保管上述两份手册，以供将来参考。
- 将本仪器传递给其他方时应附上两个文档。

必须按照《用户手册》和《参考手册》使用本仪器。如果不按照这些文档说明使用本仪器，或者如果本仪器已改动，那么仪器的安全性就有可能受到损坏，Mettler-Toledo GmbH 我们对此将不承担任何责任。

### 2.1 警示语与警告标志的定义

安全说明中包含关于安全问题的重要信息。忽视安全说明有可能造成人员受伤、仪器损坏、故障与结果错误。安全说明标注有下列警示语与警告标志：

#### 警示语

<b>危险</b>	存在高风险的危险情况，如不加以避免，则会导致死亡或严重伤害。
<b>警告</b>	中等风险性危险情况，如不加以避免，可能会造成死亡或严重伤害。
<b>小心</b>	风险性较低的危险情况，如不规避会造成轻微或中度受伤。
<b>注意</b>	存在低风险的危险情况，有可能损坏仪器和导致其他实质性损坏、故障、错误结果或数据丢失。

#### 警告标志



一般风险



注意

### 2.2 特定产品的安全信息

#### 目标用途

本仪器供经培训人员使用。该仪器专为称量而设计。

未经 Mettler-Toledo GmbH 许可，超过 Mettler-Toledo GmbH 规定限制的任何其他类型的使用和操作均视为非目标用途。

#### 仪器所有者的责任

仪器所有者指对仪器具有合法所有权、使用仪器或授权任何人使用仪器，或者在法律上认定为仪器操作人员的个人。仪器所有者负责仪器所有使用者与第三方的安全。

Mettler-Toledo GmbH 假定仪器所有者对用户进行培训，使其了解如何在工作场所安全使用仪器和处理潜在危险。Mettler-Toledo GmbH 假定仪器所有者提供必要的防护装备。

## 安全注意事项



### 警告

#### 触电会造成重伤或死亡

接触带电零件有可能造成伤亡。

- 1 仅使用仪器专用METTLER TOLEDO电源线和交流/直流适配器。
- 2 将电源线连接至接地电源插座。
- 3 将所有电缆与接头放置在远离液体和潮湿的地方。
- 4 检查电缆与电源插头有无损坏，如有损坏请更换。



### 注意

#### 因使用不合适的部件而损坏仪器或发生故障

- 仅可使用METTLER TOLEDO提供的专用于您的仪器的部件。

有关备件和附件清单，请参见《参考手册》。

## 3 设计和功能



有关完整信息，请查阅《参考手册（RM）》。

► [www.mt.com/XPR26PC-RM](http://www.mt.com/XPR26PC-RM)

### 3.1 概述

请参阅本手册开头部分的“Overview”（图形和图例）部分。

## 3.2 用户界面

### 3.2.1 主界面概述

称量主界面 (1) 是中心导航点，此处可以看到所有菜单和设置。点击称量主界面两侧的滑动栏时将打开 天平菜单 (2)、方法 (3) 和协议 (4)



可参阅

主称重屏幕 ▶ 第7页

### 3.2.2 主称重屏幕



名称	描述
1 用户名	显示当前用户的名称。

名称	描述
2 称量值字段	显示当前称量值。
3 水平指示器	表明天平是否调平（绿色表示调平，红色表示未调平）。
4 方法菜单	访问用户定义的方法、测试和校正列表。
5 信息重量	以另外一个单位显示当前称量值。
6 警告和错误消息区	显示当前警告和/或错误消息。
7 滑动栏协议	显示最近的称重结果。
8 样品状态确定	结果状态指示灯为绿色：表示结果符合一组条件。例如： <ul style="list-style-type: none"> <li>天平处于水平状态。</li> <li>已执行了内部校正且状态正常。</li> <li>称量结果处于定义的公差范围之内（仅适用于允差已定义的情况）。</li> </ul>
9 样品状态已排除	结果状态指示灯为黑色：表示结果已从记事本中排除。
10 样品状态不正确	结果状态指示灯为红色：表示不符合结果条件，例如“称量结果超出定义的允差范围”。
11 按钮 添加到协议	将结果添加至报表。 根据选择的方法，按钮可具有不同功能。
12 操作栏	包含有关当前任务的操作。
13 天平菜单	访问天平属性。
14 方法信息区域	包含有关样本、方法或任务ID的信息。
15 SmartTrac	用作称量辅助装置，可定义带上下限允差的目标重量。
16 称量值区	显示当前称量过程的结果。
17 方法名称	显示当前方法的名称。

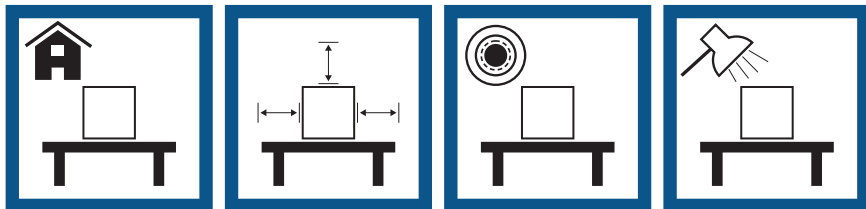
## 4 安装与投入使用

### 4.1 选择位置

天平是灵敏的精密仪器。它所处的位置将对称重结果的准确性产生重要影响。

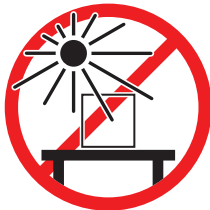
#### 位置要求

放在室内稳定的工作台上    确保足够的空间    将仪器调平    提供充足照明

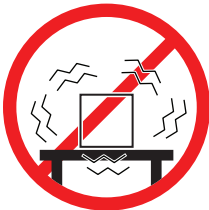




避免阳光直射



避免震动



无强烈气流



避免温度波动

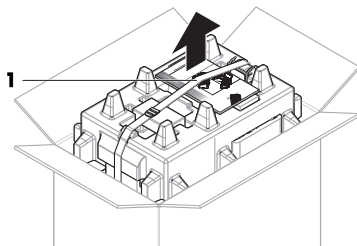


为天平留有足够的空间：与周围的仪器至少相距15 cm  
考虑环境条件。请参阅"技术参数"。

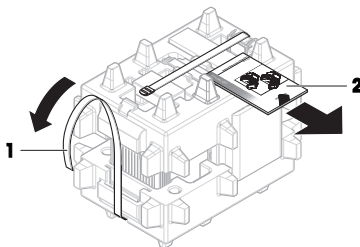
## 4.2 开箱取出天平

检查包装、包装元件和交付的组件是否有损坏。如果任何组件损坏，请联系您的METTLER TOLEDO服务代表。

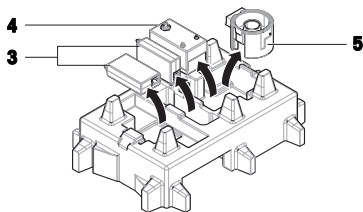
- 1 开箱，使用提带将包装抬出 (1)。



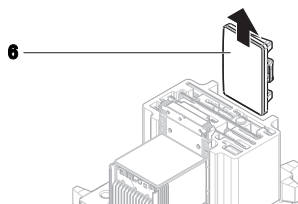
- 2 打开提带 (1)，取出用户手册 (2)。



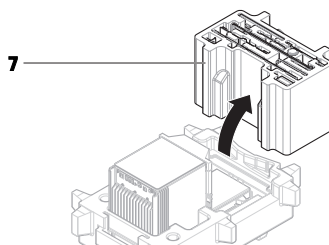
- 3 取下包装的上半部分，然后取下交流/直流适配器(3)和电源线、泵(4)以及带有防蒸发打开/关闭Quantos容器的移液器底座(5)。



4 小心取出显示终端 (6)。



5 小心取出带有校准套件和其他小组件的包装套件 (7)。

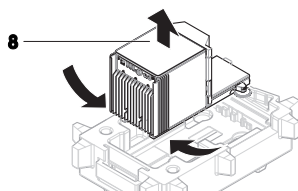


6 小心地将称量装置 (8) 从底部包装取出。

7 移除防护袋。

8 将所有包装部件安全存储，以便将来使用。

➔ 可以组装称量装置了。

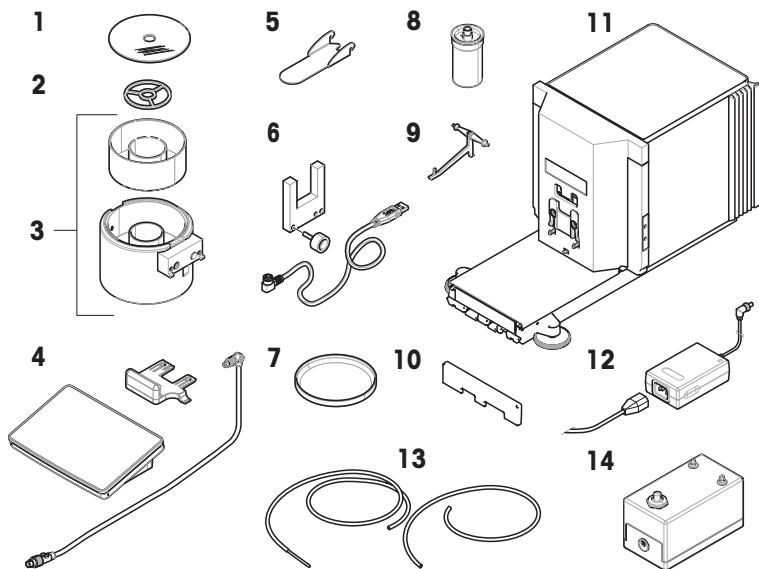


#### 可参阅

📖 运输、包装和存储 ▶ 第18页

### 4.3 交货清单

#### 4.3.1 天平

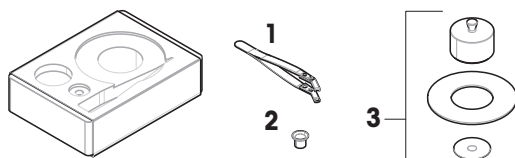


1	防蒸发阱盖	7	滴盘
2	定心环	8	移液容器和试管
3	带有挡光板垫片和防蒸发容器的移液器底座	9	用于移液容器的支架
4	带固定器和连接线缆的显示操作终端	10	前盖
5	防蒸发阱门	11	称量装置
6	挡光板、固定螺钉和电缆	12	带有国家特定电缆的交流/直流适配器, 2个
13	泵管, 2个 (每个管都带探头)	14	泵

#### 4.3.2 文档记录

- 《用户手册》
- 产品证书
- 一致性声明

#### 4.3.3 校准套件



1	镊子	3	大秤盘，带盖圈和防风罩
2	小秤盘		

## 4.4 安装

### 4.4.1 连接显示终端

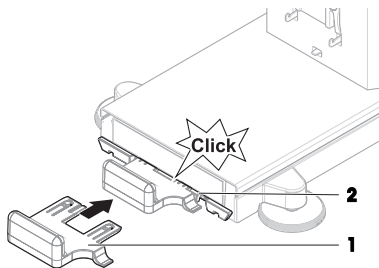


#### 注意

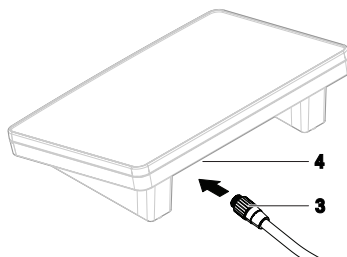
不谨慎拿放会造成线缆损坏

- 请勿弯折或缠绕线缆。

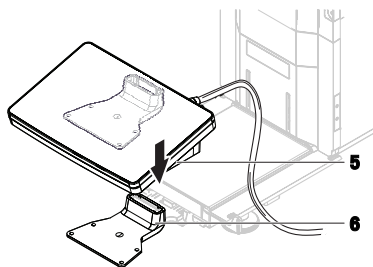
- 1 将显示屏支架 (1) 的滑道插入称量装置 (2) 的前面板中。



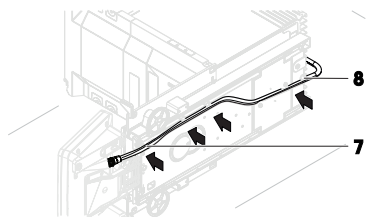
- 2 将终端线缆 (3) 连接至终端 (4)。注意插口的角度。



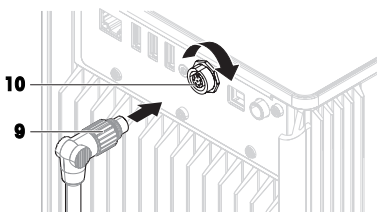
- 3 将终端(5)放在端子架(6)上。



- 4 小心地将天平向侧面倾斜。
- 5 引导线缆 (7) 通过线缆槽 (8)。
- 6 将天平小心地放回支脚上。

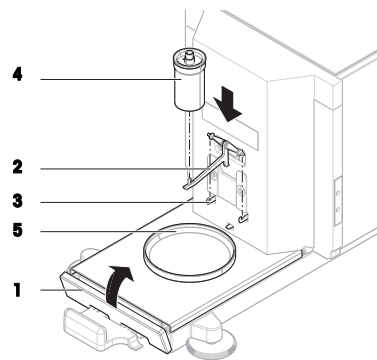


- 7 将终端线缆 (9) 插入到天平的插槽 (10) 内。注意插口的角度。
- ➔ 显示终端就绪。

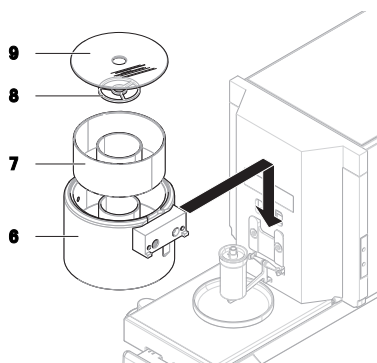


#### 4.4.2 组装天平

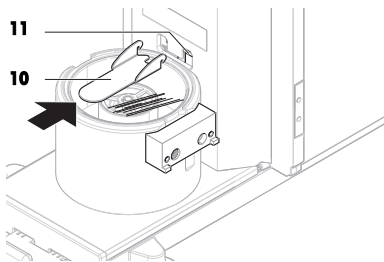
- 1 安装防护罩(1)。
- 2 将移液容器支架(2)小心地挂在挂钩(3)上。  
➔ 可自由悬挂移液容器支架(2)。
- 3 小心地将移液容器(4)放在移液容器支架(2)上。
- 4 将承水盘(5)置于移液容器(4)下面的中心位置。



- 5 小心地沿着导轨垂直滑动带有防蒸发容器(7)的移液底座(6)，并放在承水盘上。  
➔ 将移液器底座放在承水盘居中。不接触移液容器(5)或移液容器支架上(3)。
- 6 将定心环(8)放在防蒸发容器(7)上。
- 7 小心地将防蒸发阱盖(9)放在防蒸发阱容器(7)上。



- 8 将防蒸发阱门(10)向后滑动，直至其咔哒一声推入连杆(11)。

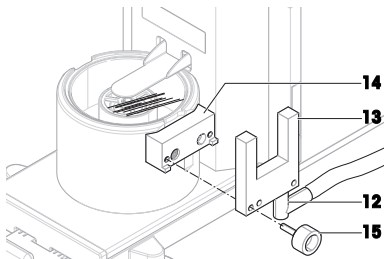


- 9 将挡光板电缆(12)连接到挡光板(13)。  
10 用固定螺钉(15)将挡光板(13)安装到挡光板垫片(14)上。

**信息**

挡光板和挡光板垫片默认安装在移液器底座右侧。另外，这些物品也可安装在移液器底座的左侧。

- 11 将挡光板电缆(12)沿着天平侧部、侧盖下方引导。  
12 将USB电缆(12)连接到仪器背面的其中一个USB端口。



➔ 天平组装完成，可以投入使用了。

## 4.5 使用天平

### 4.5.1 连接天平



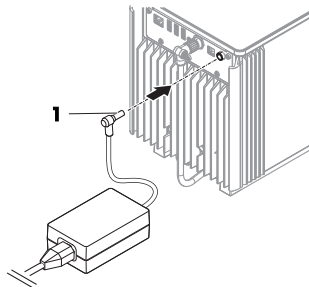
#### **警告**

##### **触电会造成重伤或死亡**

接触带电零件有可能造成伤亡。

- 1 仅使用仪器专用METTLER TOLEDO电源线和交流/直流适配器。
- 2 将电源线连接至接地电源插座。
- 3 将所有电缆与接头放置在远离液体和潮湿的地方。
- 4 检查电缆与电源插头有无损坏，如有损坏请更换。

- 1 以这种方式安装电缆，确保其不会受损或干扰操作。
- 2 将交流/直流适配器(1)插头插入仪器的电源入口。
- 3 用力拧紧螺母，紧固插头。
- 4 将电源插头插入接地电源插座中。



#### **信息**

切勿将此仪器连接至由开关控制的电源插座。开启仪器后，必须先对其进行预热，才能获得准确的结果。

## 可参阅

▣ 通用数据 ▶ 第23页

### 4.5.2 打开天平

#### EULA（最终用户许可证协议）

首次打开天平时，屏幕上会出现EULA（最终用户许可协议）字样。

- 1 阅读条件。
- 2 点击**我接受许可证协议中的条款。**，并通过确认**✓ 确定**。

#### 预热

必须先将天平预热方可提供可靠结果。此过程在接通天平电源后至少需要120分钟。天平从待机模式开启时，将立即就绪。

- 天平预热完成。
  - 按下**⏻**。
    - ➔ 出现称量主界面。

当天平打开时，将显示称量主界面。显示器将始终显示关闭之前最后使用方法的界面。

### 4.5.3 调节天平水平

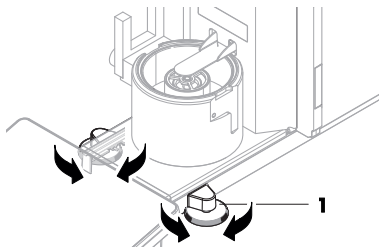
准确的水平和平稳定是获得可重复且精确的称量结果的必要条件。

如果出现消息**天平不水平**：

- 1 点击**▶ 调节天平水平**。
  - ➔ **水平调节向导**打开。
- 2 按显示屏上的说明转动两个水平调节脚(1)，直到电子水平泡处于指示器的中心

也可以在**天平菜单**中找到水平调节辅助装置：

**导航：** ▶ **天平菜单** > **⊙ 水平调节向导**



### 4.5.4 进行内部校正

- 校正策略已设置为**内部校正**。
- 1 打开**方法**部分，点击**⚙**，选择**校正**，然后点击**▶ 启动**
    - 或 -
 在称量主界面，点击**⋮ 更多**然后点击**开始调整**。
    - ➔ 正在执行**内部校正**。
    - ➔ 完成校正后，屏幕上显示校正结果的概述。
  - 2 如果要打印结果，则点击**🖨 打印**。
  - 3 点击**✓ 完成校正**。
    - ➔ 天平已准备就绪。

### 4.5.5 执行功能检查

要进行功能检查，请使用天平附带的校准套件。




有关完整信息，请查阅《参考手册（RM）》。

► [www.mt.com/XPR26PC-RM](http://www.mt.com/XPR26PC-RM)

#### 4.5.6 将天平设置为待机模式

可按住  将天平设置为待机模式。再次按住  退出待机模式。


#### 4.5.7 关闭天平

如果要完全关闭天平，则必须断开电源。按住 ，天平仅进入待机模式。

#### 信息

当天平完全关闭一段时间后，必须将其预热方可使用。

#### 可参阅

 打开天平 ▶ 第15页

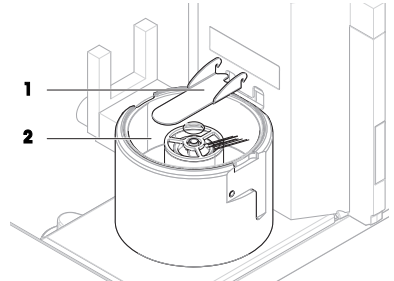
### 4.6 执行移液循环

要校准移液器，必须使用蒸馏水。通过重量法测试检查液体体积。

#### 4.6.1 填充防蒸发阱容器

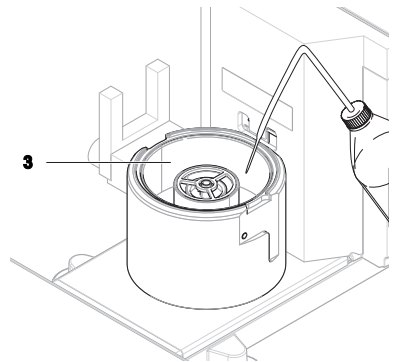
防蒸发阱包括一个装满水的容器。防蒸发阱关闭时，内部湿度增加，直至空气饱和。这可防止移液容器内的液体蒸发，确保准确的称量结果。

- 1 拆除防蒸发阱门(1)。
- 2 小心地取下防蒸发阱盖(2)。



- 3 将蒸发阱容器(3)装满蒸馏水。
  - 防蒸发阱容器至少装满一半（最大70 ml）。

- 4 重新组装天平。
  - 防蒸发阱门(1)关闭。
- 5 等待至少**120分钟**，让防蒸发阱中的空气达到饱和状态。





#### 4.6.2 天平归零

- 按→0←可将天平归零。
- ➔ 天平已归零。

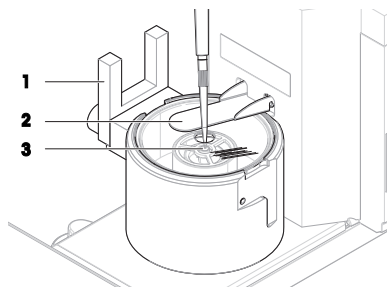
#### 4.6.3 去皮

在随后的测量之前，必须对天平去皮。

- 短按→T←为天平去皮。
- ➔ 天平已去皮。此时出现Net图标。

#### 4.6.4 执行移液循环循环

- 待校准的移液器已准备好，并设置为目标容量。
- 1 使用移液器吸入蒸馏水的目标体积。
- 2 激活挡光板(1)，或按↓。
- ➔ 防蒸发阱门(2)打开。
- 3 将液体分配至移液容器(3)中。
- 4 激活挡光板(1)，或按↓。
- ➔ 防蒸发阱门(2)关闭。
- ➔ 显示称量结果。
- 5 如果要报告称重结果，则点击+ 添加到协议。
- ➔ 重量值列在协议中。



#### 4.6.5 完成称量

- 1 如果要保存协议，请点击■完成。
- ➔ 完成任务窗口打开。
- 2 选择保存或打印协议。
- ➔ 结果对话框打开。
- 3 请遵照向导说明。
- 4 点击✓完成。
- ➔ 协议已保存/打印并于之后删除。

#### 4.6.6 清空移液容器

定期清空移液容器，防止溢出。

##### 可参阅

- 📖 清空移液容器 ▶ 第20页
- 📖 溢出后清洁 ▶ 第22页

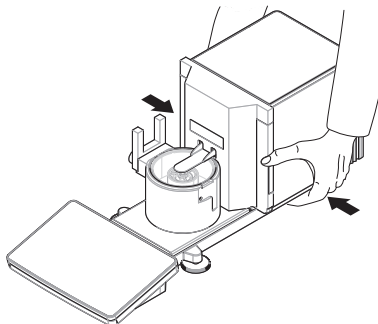
## 4.7 运输、包装和存储

### 4.7.1 短距离运输天平

- 1 断开与AC/DC适配器的连接并拔下所有接口线缆。
- 2 用双手拿稳秤台，将天平水平搬到目标位置。注意位置要求。

如果想将天平投入使用，则按照以下步骤操作：

- 1 按相反顺序安装。
- 2 给天平足够的时间进行预热。
- 3 将天平调平。
- 4 执行内部校正。



#### 可参阅

- 📖 选择位置 ▶ 第8页
- 📖 打开天平 ▶ 第15页
- 📖 调节天平水平 ▶ 第15页
- 📖 进行内部校正 ▶ 第15页

### 4.7.2 远距离运输天平

METTLER TOLEDO 在远距离运输或运送天平或者天平组件时，建议使用原始包装。原始包装元件是专门针对天平及其组件设计的，可确保在运输期间提供最佳保护。

#### 可参阅

- 📖 开箱取出天平 ▶ 第9页

### 4.7.3 包装和存储

#### 包装天平

将所有包装部件安全存储。原始包装元件专门针对天平及其组件设计，可确保在运输或存储期间提供最佳保护。

#### 存储天平

仅在以下条件下存储天平：

- 室内且在原始包装中
- 根据环境条件，请参阅"技术资料"

#### 📖 信息

当存储时间超过6个月时，充电电池可能没电（仅丢失日期和时间）。

#### 可参阅

- 📖 技术参数 ▶ 第23页

## 5 保养

为了保证天平的功能性和称量结果的准确性，用户必须执行一些保养。



有关完整信息，请查阅《参考手册（RM）》。

► [www.mt.com/XPR26PC-RM](http://www.mt.com/XPR26PC-RM)

## 5.1 维护任务

维护作业	推荐的维护间隔	备注
进行内部校正	<ul style="list-style-type: none"> <li>• 每天</li> <li>• 清洁后</li> <li>• 调平后</li> <li>• 更换放置位置后</li> </ul>	请参见"执行内部校正"
进行日常测试（四角误差测试、重复性测试、灵敏度测试）。 METTLER TOLEDO 建议至少进行一次灵敏度测试。	<ul style="list-style-type: none"> <li>• 清洁后</li> <li>• 安装天平后</li> <li>• 软件升级后</li> <li>• 取决于您的内部规定（SOP）</li> </ul>	请参见《参考手册》中的"测试"
清空容器	<ul style="list-style-type: none"> <li>• 取决于仪器的使用频率</li> <li>• 取决于您的内部规定(SOP)</li> </ul>	请参见"清空容器"
清洁	<ul style="list-style-type: none"> <li>• 每次使用后</li> <li>• 根据污染度</li> <li>• 取决于您的内部规定(SOP)</li> </ul>	请参见"清洁"
更新软件	<ul style="list-style-type: none"> <li>• 取决于您的内部规定（SOP）。</li> <li>• 新软件发布后。</li> </ul>	请参见《参考手册》中的"软件更新"

### 可参阅

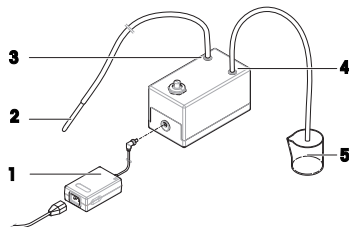
- ▣ 进行内部校正 ► 第15页
- ▣ 清洁 ► 第21页
- ▣ 清空容器 ► 第19页

## 5.2 清空容器

### 5.2.1 组装泵

在正常使用过程中，移液容器和防蒸发容器装满水。该泵可以安全有效地除水，而无需拆卸仪器。入口管上连接有一个探头，便于操作。出口管用于处置抽吸的液体。

- 1 以这种方式安装电缆，确保其不会受损或干扰操作。
- 2 将交流/直流适配器(1)插头插入插座。
- 3 用力拧紧螺母，紧固插头。
- 4 将电源插头插入接地电源插座中。
- 5 将带有探头(2)的泵管连接到喷嘴IN(3)。
- 6 将另一根泵管连接到喷嘴OUT(4)。
- 7 将管的自由端放入适合废液的容器中(5)。



## 5.2.2 清空移液容器

必须定期清空移液容器，防止溢出。



### 注意

#### 操作不当会造成泵损坏

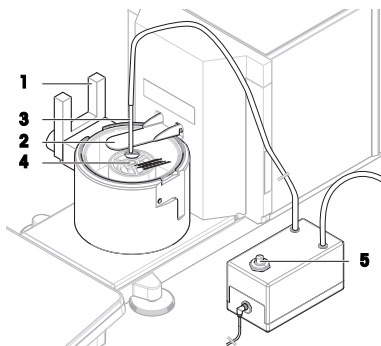
如果不使用泵时将其打开，则有可能将其损坏。

- 不用天平时关闭泵。

- 泵已组装。
  - 出口泵管放在适合废液的容器中。
- 1 激活挡光板(1)，或按↓。
    - ➔ 防蒸发阱门(2)打开。
  - 2 将探头(3)插入移液容器(4)。
  - 3 打开泵(5)。
    - ➔ 液体被抽出并收集到容器中，用于处理废液。
  - 4 关闭泵(5)。
  - 5 重新组装天平。
    - ➔ 天平已经准备好可以使用了。

#### 可参阅

📖 组装泵 ▶ 第19页



## 5.2.3 情况防蒸发阱容器



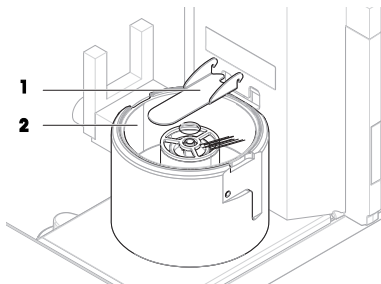
### 注意

#### 操作不当会造成泵损坏

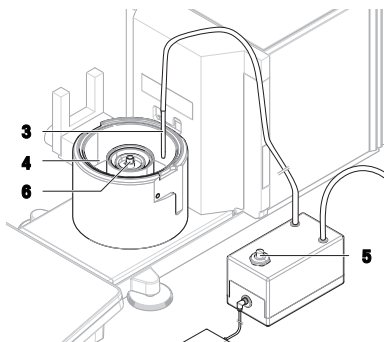
如果不使用泵时将其打开，则有可能将其损坏。

- 不用天平时关闭泵。

- 泵已组装。
  - 出口泵管放在适合废液的容器中。
- 1 拆除防蒸发阱门(1)。
  - 2 小心地取下防蒸发阱盖(2)。



- 3 将泵探头(3)插入防蒸发阱容器(4)。
- 4 打开泵(5)。
  - ➔ 液体被抽出并收集到容器中，用于处理废液。
- 5 如果需要，使用泵清空移液容器(6)，请参阅 [清空移液容器 ▶ 第20页]。
- 6 关闭泵(5)。
- 7 或者，卸下防蒸发阱容器(4)将其清空。
- 8 重新组装天平。



**可参阅**

▣ 组装泵 ▶ 第19页

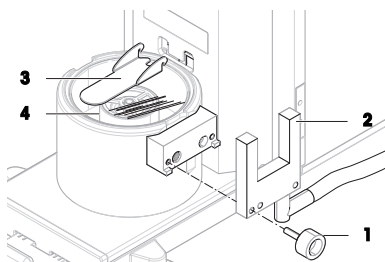
**5.3 清洁**

**5.3.1 拆卸进行清洁**

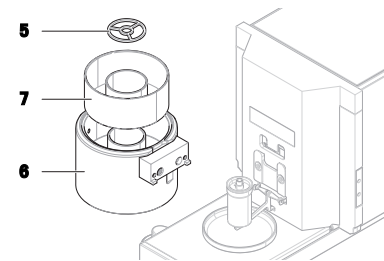
■ 容器已清空，请参阅[清空容器 ▶ 第19页]。

■ 关闭天平，请参阅[关闭天平 ▶ 第16页]。

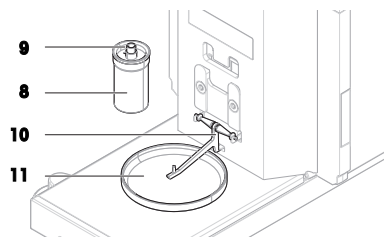
- 1 卸下固定螺钉(1)并将挡光板(2)放在一边。
- 2 拆除防蒸发阱门(3)。
- 3 小心地取下防蒸发阱盖(4)。



- 4 拆卸定心环(5)。
- 5 小心抬起并取下带有防蒸发容器(6)的移液底座(7)。



- 6 取下移液容器(8)并拧下固定移液管的盖子(9)。
- 7 小心地取下移液容器支架(10)。
- 8 取下承水盘(11)。



## 5.3.2 清洁天平



### 注意

#### 因清洗方法不正确而损坏仪器

如果液体进入外壳，则有可能损坏仪器。某些清洗剂、溶剂或研磨剂可能会损坏仪器表面。

- 1 请勿向仪器喷洒或倾倒液体。
- 2 仅使用仪器参考手册（RM）或指南“8 Steps to a Clean Balance”中指定的清洁剂。
- 3 务必使用略微湿润的无绒布或纸巾清洁仪器。
- 4 立即拭去任何溅出物。



关于清洁天平的更多信息，请参阅“8 Steps to a Clean Balance”。

► [www.mt.com/lab-cleaning-guide](http://www.mt.com/lab-cleaning-guide)

### 清洁天平的周围

- 去除天平周围的任何灰尘或污垢，避免进一步的污染。

### 清洁终端

- 使用湿布或纸巾及温和清洗剂清洁终端。

### 清洁可拆卸部件

- 使用湿布或纸巾及中性清洗剂对拆下的部件进行清洁。

### 清洁称量单元

- 1 断开天平与AC/DC适配器的连接。
- 2 使用沾湿温和清洗剂的无绒布清洁天平表面。
- 3 首先使用一次性纸巾清除粉末或灰尘。
- 4 使用湿的无绒软布和温和溶剂（如70%的异丙醇或乙醇）清除粘性物质。

## 5.3.3 溢出后清洁

如果发生溢出（例如：当过量灌装移液容器时），必须立即去除多余液体。

- 1 使用泵清空防蒸发阱容器，请参阅[情况防蒸发阱容器 ▶第20页]。
- 2 使用泵清空移液容器，请参阅[清空移液容器 ▶第20页]。
- 3 拆卸其余物品，并用无绒布或纸巾清洁，请参阅[拆卸进行清洁 ▶第21页]。
- 4 重新组装天平。

### 可参阅

■ 组装泵 ▶第19页

## 5.3.4 清洁后投入使用

- 1 重新组装天平。
- 2 显示终端是否已连接天平。
- 3 重新将天平连接至交流/直流适配器。
- 4 检查水平状态，必要时调平天平。

- 5 请遵守“技术资料”中规定的预热时间。
  - 6 执行内部校正。
  - 7 根据您公司的内部规程进行日常测试。METTLER TOLEDO建议在清洁天平后进行灵敏度测试。
  - 8 按→0←可将天平归零。
- ➔ 天平已经准备好可以使用了。

**可参阅**

📖 进行内部校正 ▶ 第15页

## 6 技术参数

### 6.1 通用数据

**电源**

交流/直流适配器（型号 FSP060-DHAN3）：	输入：100 – 240 V AC ± 10%，50 – 60 Hz，1.8 A 输出：12 V DC，5 A，LPS，SELV
交流/直流适配器（型号 FSP060-DIBAN2）：	输入：100 – 240 V AC ± 10%，50 – 60 Hz，1.5 A 输出：12 V DC，5 A，LPS，SELV
交流/直流适配器用电缆：	3芯，配有国家专用插头
天平功耗：	12 V DC ± 10%，2.25 A
极性：	⊖ — ● — ⊕

**保护与标准**

过压类别：	II
污染度：	2
安全性和EMC标准：	请参阅符合性声明
应用范围：	仅用于室内干燥的地方

**环境条件**

当天平在以下环境条件下使用时，则适用以下这些限值：

平均海拔高度：	最高5000 m
环境温度：	+10 至 +30 °C
最大温度变化：	5 °C/h
空气相对湿度：	30–70%，无冷凝现象
培养时间：	仪器放置在与投入使用位置相同的位置后至少 <b>8小时</b> 。
预热时间：	天平接通电源后至少 <b>120分钟</b> 。从待机模式开启后，仪器随即做好操作准备。

天平可在以下环境条件下使用。但是，天平的称量性能可能超出限值：

环境温度：	+5 – +40 °C
空气相对湿度：	气温在31 °C时，空气湿度为20%至最大80%，气温达到40 °C时，空气湿度线性下降至50%，无冷凝现象

在以下条件下，可将天平断开连接并存储在其包装中：

环境温度：	-25 – +70 °C
-------	--------------

空气相对湿度:

10-90%，无冷凝现象

## 7 丢弃

依照关于电气和电子设备废弃物（WEEE）的欧盟指令2012/19/EU，该设备不得作为生活废弃物进行处置。这也适用于欧盟以外的国家，请按照其具体要求进行处置。



请遵照当地法规，在规定的电气和电子设备收集点处理本产品。如果您有任何疑问，请与主管部门或者您购买本设备的经销商联系。如果将此设备传递给其他方，则本规定的内容也必须相关。



# 目次

<b>1</b>	<b>はじめに</b>	<b>3</b>
1.1	追加文書と情報	3
1.2	頭字語と略語	4
1.3	コンプライアンス情報	4
<b>2</b>	<b>安全上の注意</b>	<b>5</b>
2.1	注意喚起の表示と警告記号	5
2.2	製品固有の安全情報	5
<b>3</b>	<b>機器構成と機能</b>	<b>6</b>
3.1	概要	6
3.2	ユーザインターフェース	7
3.2.1	概要	7
3.2.2	メイン計量画面	7
<b>4</b>	<b>設置と操作</b>	<b>9</b>
4.1	据付場所の選択	9
4.2	天びんの開梱	9
4.3	付属品	11
4.3.1	天びん	11
4.3.2	文書	11
4.3.3	校正キット	12
4.4	設置	12
4.4.1	ターミナルの取付	12
4.4.2	天びんの組立て	13
4.5	使用準備	15
4.5.1	天びんの接続	15
4.5.2	天びんのスイッチを入れる	15
4.5.3	天びんの水平調整	16
4.5.4	内部分銅による調整の実行	16
4.5.5	機能チェックの実行	16
4.5.6	天びんをスタンバイモードに設定する	16
4.5.7	天びんのスイッチを切る	16
4.6	ピペッティングサイクルの実行	17
4.6.1	モイスチャートラップ容器の充填	17
4.6.2	天びんのゼロ点設定	17
4.6.3	天びんの風袋引き	17
4.6.4	ピペッティングサイクルの実行	18
4.6.5	計量の完了	18
4.6.6	ピペッティング容器を空にします。	18
4.7	輸送、梱包、保管	18
4.7.1	近距離での天びんの運搬	18
4.7.2	天びんの長距離での運搬	19
4.7.3	梱包および保管	19

---

<b>5</b>	<b>メンテナンス</b>	<b>19</b>
5.1	メンテナンスタスク .....	20
5.2	容器を空にする .....	20
5.2.1	ポンプの組み立て .....	20
5.2.2	ピペッティング容器を空にします。 .....	21
5.2.3	モイスチャートラップの容器を空にする .....	21
5.3	清掃 .....	22
5.3.1	清掃のために分解 .....	22
5.3.2	天びんの清掃 .....	23
5.3.3	オーバーフロー後の清掃 .....	24
5.3.4	清掃後における機器の準備 .....	24
<b>6</b>	<b>技術データ</b>	<b>24</b>
6.1	一般データ .....	24
<b>7</b>	<b>廃棄</b>	<b>25</b>

---

## 1 はじめに

メトラー・トレドの天びんをお選びいただきありがとうございます。天びんは、高性能および使いやすさを兼ね備えています。

### EULA

本製品のソフトウェアは、メトラー・トレドソフトウェア用のエンドユーザーライセンス契約（EULA）に基づきライセンス許諾されています。

▶ [www.mt.com/EULA](http://www.mt.com/EULA)

本製品を使用する場合は、EULAの条件に同意する必要があります。

### 1.1 追加文書と情報

この文書はオンラインで他の言語で利用可能です。

▶ [www.mt.com/pipcal](http://www.mt.com/pipcal)

天びんを清掃する手順: "8 Steps to a Clean Balance"

▶ [www.mt.com/lab-cleaning-guide](http://www.mt.com/lab-cleaning-guide)

ソフトウェアダウンロード  
の検索

▶ [www.mt.com/labweighing-software-download](http://www.mt.com/labweighing-software-download)

ドキュメントの検索

▶ [www.mt.com/library](http://www.mt.com/library)

詳細については、メトラー・トレド 代理店またはサービス担当者にお問い合わせください。

▶ [www.mt.com/contact](http://www.mt.com/contact)

## 1.2 頭字語と略語

元の用語	説明
ASTM	American Society for Testing and Materials (米国材料試験協会)
EMC	Electromagnetic Compatibility (電磁両立性)
FCC	Federal Communications Commission (連邦通信委員会)
GWP	Good Weighing Practice
ID	Identification (識別)
LPS	Limited Power Source (有限電源)
MT-SICS	METTLER TOLEDO Standard Interface Command Set
NA	Not Applicable
OIML	Organisation Internationale de Métrologie Légale (国際法定計量機関)
RFID	Radio-frequency identification (無線自動識別装置)
RM	Reference Manual (リファレンスマニュアル)
sd	Standard deviation
SELV	Safety Extra Low Voltage (安全特別低電圧)
SOP	Standard Operating Procedure (標準作業手順)
SQC	Statistical Quality Control (は統計的品質管理)
UM	User Manual (ユーザマニュアル)
USB	Universal Serial Bus
USP	United States Pharmacopeia (米国薬局方)

## 1.3 コンプライアンス情報

FCCサブライヤ適合宣言書といった国家承認文書はオンラインで入手可能またはおよびパッケージに含まれています。

▶ <http://www.mt.com/ComplianceSearch>



詳細については、リファレンスマニュアル (RM) を参照してください。

## 2 安全上の注意

この機器には「ユーザマニュアル」と「Reference Manual」の二つの文書が添付されています。

- ユーザマニュアルは印刷版であり、本機器に同梱されています。
- Reference Manualは電子版であり、機器とその使用法についての詳細な説明が記載されています。
- 今後の参照に備えて両方の取扱説明書を保管してください。
- 機器を第三者に譲渡するときは、取扱説明書を両方とも添付してください。

ユーザマニュアルおよびReference Manualに従い、本機器をご使用ください。取扱説明書に従って機器を使用されない場合や改ざんされた場合、機器の安全性が損なわれる恐れがありますが、これに関して Mettler-Toledo GmbH は一切責任を負いません。

### 2.1 注意喚起の表示と警告記号

安全上の注意には、安全の問題に関する重要な情報が含まれています。安全上の注意を疎かにすると、機器の損傷、故障および誤りのある測定結果や怪我の要因となります。安全上の注意には、次の注意喚起（注意を促す語）および警告記号を付けています。

#### 注意喚起の表示

<b>危険</b>	回避しないと、死亡事故または重度の事故や重傷を招く恐れや、高い危険性を伴う状況に対して発せられます。
<b>警告</b>	死亡事故または重度の事故や重傷を招く恐れがある、中程度の危険状態に対する注意喚起。
<b>注意</b>	軽中度の負傷を招く恐れがある、軽度の危険状態に対する注意喚起。
<b>通知</b>	測定装置もしくは他の器物の損傷、エラーや故障、データ喪失を招く恐れがある、軽度の危険状態に対する注意喚起。

#### 警告記号



一般的な危険性



通知

### 2.2 製品固有の安全情報

#### 用途

この機器は、熟練したスタッフが使用するように設計されています。装置は計量を目的としています。

Mettler-Toledo GmbH の同意なしに Mettler-Toledo GmbH が指定した使用限界を超えた使用および操作はすべて、用途外とみなされます。

#### 機器所有者の責任

機器の所有者とは、機器の法的所有権を有し、また機器を使用やその他の人が使用することの管理を行う、または法的に機器のオペレーターになるとみなされる人のことです。機器の所有者は、機器の全ユーザーおよび第三者の安全に責任があります。

Mettler-Toledo GmbH は、機器の所有者がユーザーに対して、仕事場で機器を安全に使用し、潜在的な危険に対応するための研修を行うことを想定しています。Mettler-Toledo GmbHは、機器の所有者が必要な保護用具を提供することを想定しています。

## 安全に関する注意事項



### 警告

#### 感電による死亡事故または重傷

通電部品に触れると負傷や死亡事故を招く恐れがあります。

- 1 機器にあわせて設計されている、メトラー・トレド電源ケーブルやAC/DCアダプタのみをご使用ください。
- 2 電源ケーブルをアース付き電源コンセントに接続します。
- 3 電気ケーブルと接続部材はすべて、液体や湿気から離れた場所に保管してください。
- 4 ケーブルと電源プラグに損傷がないことを確認し、損傷があれば交換してください。



### 通知

#### 部品を正しく使用しないと機器の損傷や故障を招く恐れがある

- お使いの機器専用のメトラー・トレドからの部品のみを使用してください。

スペアパーツおよび付属品のリストは参照マニュアルに記載されています。

## 3 機器構成と機能



詳細については、リファレンスマニュアル (RM) を参照してください。

▶ [www.mt.com/XPR26PC-RM](http://www.mt.com/XPR26PC-RM)

### 3.1 概要

本取扱説明書の始めにある「Overview」(図と凡例)のセクションをご覧ください。

## 3.2 ユーザインターフェース

### 3.2.1 概要

メイン計量画面 (1) はすべてのメニューと設定が見つかる中央ナビゲーションポイントです。メイン計量画面の横に沿ってドロワーをタップすると **天びんメニュー (2)**、**メソッド (3)** および **プロトコル (4)** が開きます。



以下も参照してください

📖 メイン計量画面 ▶ 7 ページ

### 3.2.2 メイン計量画面



名称	説明
1 ユーザ名	現在のユーザ名を表示します。

	名称	説明
2	計量値フィールド	現在の計量値を表示します。
3	水準器	天びんが正しく水平調整されている (緑) かそうでない (赤) かを示します。
4	メソッドメニュー	ユーザ設定のメソッド、テストおよびアラインメントのリストを表示します。
5	情報重量	他のユニットにおける現在の計量値を表示します。
6	警告およびエラーメッセージエリア	現在の警告および/またはエラーメッセージを表示します。
7	プロトコルドロワー	最近の計量結果を表示します。
8	サンプルのステータスOK	結果状態インジケータが緑：結果が基準セットを満たすことを示します。例えば： <ul style="list-style-type: none"> <li>• 天びんが水平になっています。</li> <li>• 内部調整が行われ、正常な状態です。</li> <li>• 計量結果が設定されている範囲内に入っています（許容範囲が設定されている場合のみ）。</li> </ul>
9	サンプルのステータス含まない	結果状態インジケータが黒：結果がプロトコルから除外されたことを示します。
10	サンプルのステータスNG	結果状態インジケータが赤：結果の要件が満たされませんでした。例えば、「計量結果が設定された許容範囲外になった」など。
11	プロトコルに追加ボタン	結果をレポートに追加します。 選択したメソッドによって、ボタンの機能は異なります。
12	アクションバー	現在のタスクと関係する操作が含まれます。
13	天びんメニュー	天びんのプロパティを表示します。
14	メソッド情報エリア	サンプル、メソッド、タスクIDに関する情報があります。
15	SmartTrac	目標重量と許容範囲を設定するための計量支援として使用されます。
16	計量値エリア	現在の計量プロセスの結果を表示します。
17	メソッド名	現在のメソッド名称を表示します。



## 4 設置と操作

### 4.1 据付場所の選択

天びんは高感度の精密機器です。天びんが設置される場所によって、計量結果の精度に多大な影響を及ぼします。

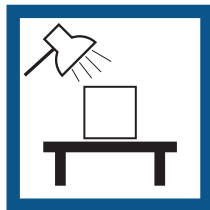
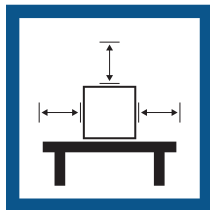
#### 据付場所の要件

室内の安定したテーブルに配置

十分な間隔を確保

機器を水平に調整

適切な明るさを確保

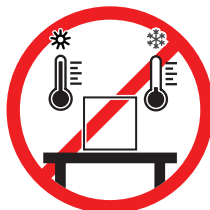
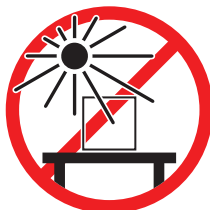


直射日光が当たらない

振動しない

強風に晒されない

温度変化が少ない



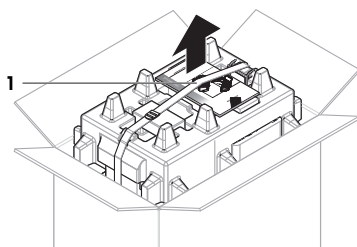
天秤の十分な間隔：全方向に装置の周り > 15 cm

環境条件を考慮します。"技術データ"を参照してください。

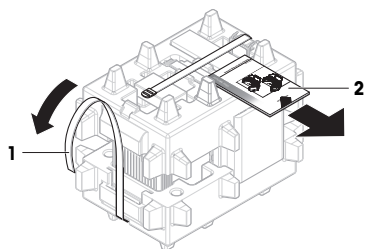
### 4.2 天びんの開梱

パッケージを確認して、抜けているものがないか、また損傷している部品がないか確認します。万が一部品が損傷している場合は、メトラー・トレド 代理店にお問い合わせください。

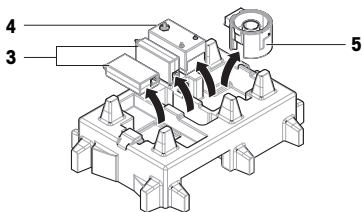
- 1 箱を開き、持ち上げストラップ(1)を使ってパッケージを取り出します。



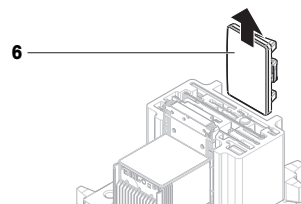
- 2 持ち上げストラップ(1)を開いて、ユーザマニュアル(2)を取り外します。



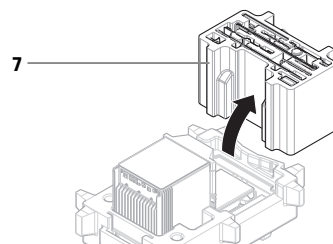
- 3 パッケージの上部を取り外し、AC/DCアダプタ(3)と電源ケーブル、ポンプ(4)、モイスチャートラップ容器付きのピペティングベース(5)を取り外します。



- 4 ターミナル(6)を慎重に取り外します。



- 5 校正キットとその他の小型のアイテム(7)が入ったパッケージセットを慎重に取り出します。

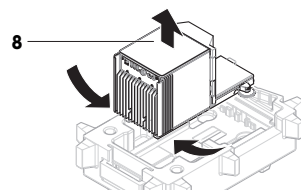


- 6 下のパッケージから計量ユニット(8)を慎重に取り出します。

- 7 保護バッグを取り外します。

- 8 パッケージのすべての部品を、今後のために安全な場所に保管しておいてください。

➡ 計量ユニットは組み立てる準備ができました。

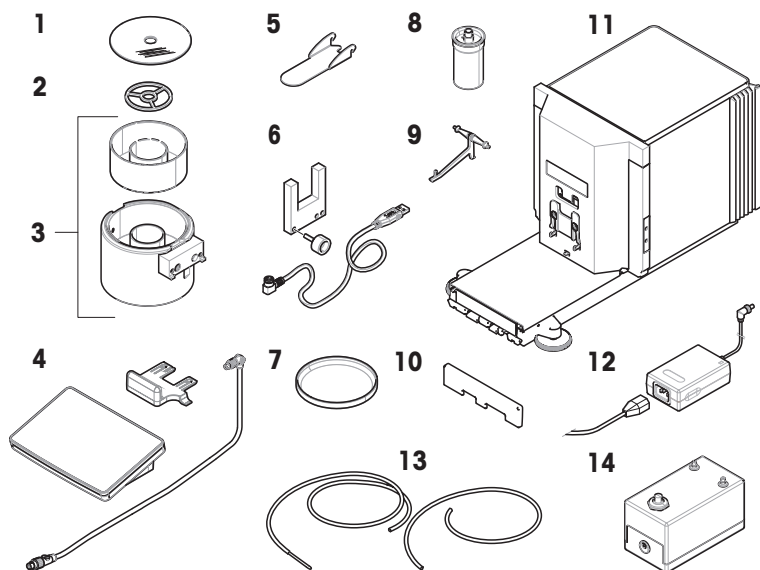


#### 以下も参照してください

📖 輸送、梱包、保管 ▶ 18 ページ

## 4.3 付属品

### 4.3.1 天びん

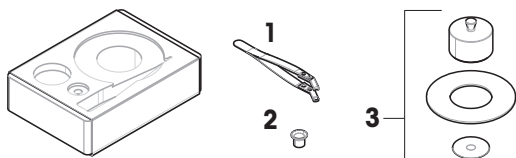


1	モイスチャートラップカバー	7	ドリップトレイ
2	センタリングリング	8	ピペット容器とチューブ
3	ライトバリアスパーサーとモイスチャートラップ容器を備えたピペッティングベース	9	ピペッティング容器用サポート
4	ターミナルホルダー付きターミナルと接続ケーブル	10	前面カバー
5	モイスチャートラップドア	11	計量単位
6	ライトバリア、固定ネジおよびケーブル	12	AC/DC アダプター、国別電源ケーブル付き、2個
13	ポンプチューブ、2個（プローブ付きチューブ1本）	14	ポンプ

### 4.3.2 文書

- ユーザマニュアル
- 適合宣言書
- 製造証明書

### 4.3.3 校正キット



1	ピンセット	3	計量皿、大型、カバーリングおよび風防付き
2	計量皿、小型		

## 4.4 設置

### 4.4.1 ターミナルの取付

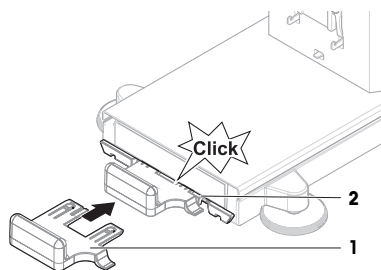


#### 通知

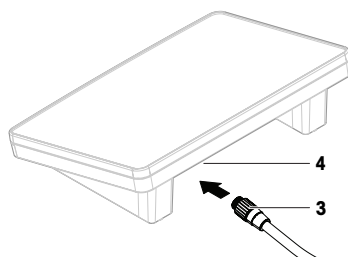
慎重に取り扱わないことによるケーブルの損傷

- ケーブルをもつれさせたりねじったりしないでください。

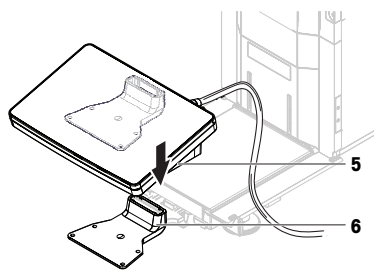
- 1 ディスプレイホルダー (1) のサイドを計量ユニット (2) の前に挿入します。



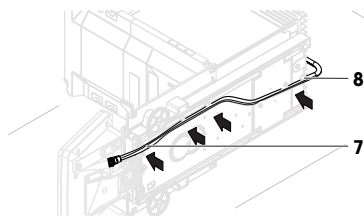
- 2 ターミナルケーブル (3) をターミナル (4) に接続します。ピンの向きに注意してください。



- 3 ターミナル (5) をターミナルホルダー (6) に取り付けます。

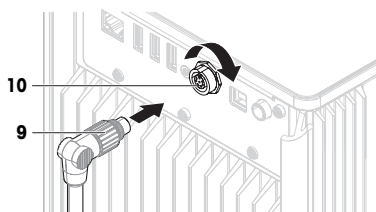


- 4 天びんを慎重に横に傾けます。
- 5 ケーブル (7) をケーブルチャンネル (8) を介してつなげます。
- 6 慎重に天びんを元に戻します。



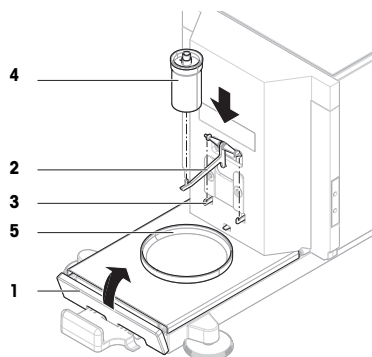
- 7 ターミナルケーブル (9) を天びんのソケット (10) に差し込みます。ピンの向きに注意してください。

⇒ ターミナルの準備ができました。

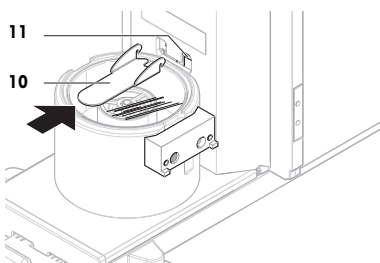
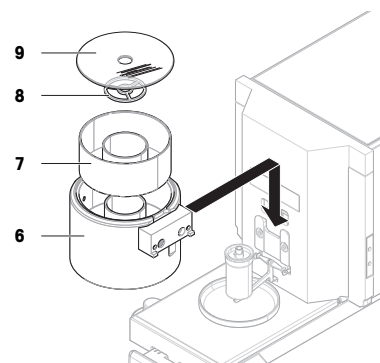


#### 4.4.2 天びんの組立て

- 1 フロントカバー (1) を取り付けます。
- 2 フック (2) にピペット容器サポート (3) を慎重に掛けます。  
⇒ ピペッティング容器サポート (2) は自由にぶら下がっています。
- 3 ピペット容器 (4) をピペット容器サポート (2) に慎重に置きます。
- 4 ドリフトレイ (5) をピペット容器 (4) の中央に配置します。



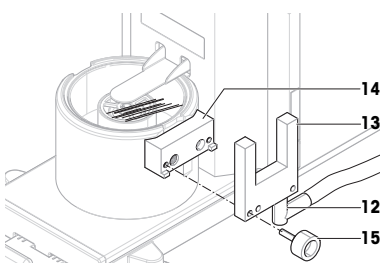
- 5 モイスチャートラップ容器 (6) と共にピペッティングベース (7) をガイドレールに沿って垂直に注意深くスライドさせ、ドリフトレイの上に置きます。
  - ➡ ピペッティングベースはドリフトレイの中央にあります。ピペッティング容器 (5) またはピペッティング容器サポート (3) には触れさせません。
- 6 センタリングリング (8) をモイスチャートラップ容器 (7) に取り付けます。
- 7 モイスチャートラップカバー (9) をモイスチャートラップの容器 (7) に慎重に置きます。
- 8 モイスチャートラップドア (10) をカチッと音がしてロッド (11) にはまるまで後ろにスライドさせます。



- 9 ライトバリアケーブル (12) をライトバリア (13) に接続します。
- 10 固定ネジ (15) を使用して、ライトバリア (13) をライトバリアスペーサー (14) に取り付けます。

#### 備考

デフォルトでは、ライトバリアとライトバリアスペーサーはピペッティングベースの右側に取り付けられています。その代わりに、これらのアイテムをピペッティングベースの左側に設置することもできます。



- 11 ライトバリアケーブル (12) を天びん側面のサイドカバーの下に沿って通します。
- 12 ライトバリアケーブル (12) を天びん背面の USB-A ポートの 1 つに接続します。
- ➡ 天びんは組立てられ、測定できる状態になります。

## 4.5 使用準備

### 4.5.1 天びんの接続



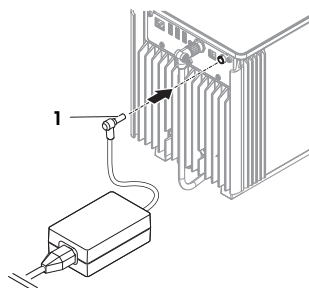
#### 警告

##### 感電による死亡事故または重傷

通電部品に触れると負傷や死亡事故を招く恐れがあります。

- 1 機器にあわせて設計されている、メトラー・トレド電源ケーブルやAC/DCアダプタのみをご使用ください。
- 2 電源ケーブルをアース付き電源コンセントに接続します。
- 3 電気ケーブルと接続部材はすべて、液体や湿気から離れた場所に保管してください。
- 4 ケーブルと電源プラグに損傷がないことを確認し、損傷があれば交換してください。

- 1 ケーブルは、破損しないように、また作業の妨げにならないように設置します。
- 2 AC/DCアダプターのプラグ (1) を装置の電源コンセントに差し込みます。
- 3 刻み付きナットを固く締めて、プラグを固定します。
- 4 電源ケーブルのプラグを、手の届きやすい場所にある接地付き電源コンセントに挿入します。



#### 備考

装置をスイッチで制御されたコンセントに繋がなくてください。装置の電源を入れた後、正確な結果を出す前にウォームアップする必要があります。

#### 以下も参照してください

■ 一般データ ▶ 24 ページ

### 4.5.2 天びんのスイッチを入れる

#### EULA (エンドユーザライセンス契約)

天びんの電源を最初にオンにしたとき、画面にEULA (エンドユーザライセンス契約) が表示されます。

- 1 条件を読みます。
- 2 **ライセンス契約の条件に同意します。** をタップして、**✓ OK**で確認します。

#### ウォームアップ

天びんが正確な測定を行うためには、ウォームアップをする必要があります。これには、天びんを接続してから少なくとも120分かかります。スタンバイモードの天びんにスイッチを入れた場合は、すぐに使用可能です。

- 天びんのウォームアップが完了しました。
- **⏻**を押します。

- ▶ メイン計量画面が表示されます。

天びんのスイッチをオンにすると、メイン計量画面が表示されます。スイッチをオフにする前に使用していたメソッドの画面をいつも表示します。

#### 4.5.3 天びんの水平調整

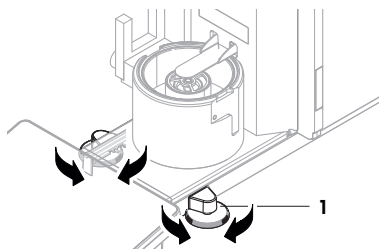
確実に水平に安定して取り付けることは、繰り返し性と正確性を備えた測定結果を得る上で欠かせない条件です。

**天びんは水平になっていません** メッセージが表示されたら:



- 1 ▶ **水平調整してください**をタップします。
  - ▶ **水平調整**が開きます。
- 2 水準器の中心に丸が来るまで、画面上の説明のとおり両方の水平調整脚 (1) を回転させます。

天びんメニューメニューからも水平調整ガイドにアクセスできます。

ナビゲーション: ▶ 天びんメニュー > ● 水平調整



#### 4.5.4 内部分銅による調整の実行

- 調整ストラテジーは**内部分銅調整**に設定されています。
- 1 **メソッドセクション**を開き、をタップし、メイン計量画面から調整を選択して▶ **開始**をタップし、  
- または -  
... **詳細**をタップ後、**調整を開始**をタップします。
    - ▶ **内部分銅調整**が実行されます。
    - ▶ 調整が完了したら、調整結果の一覧が表示されます。
  - 2 結果を印刷する場合は、 **印刷**をタップします
  - 3 ✓ **調整終了**をタップします。
    - ▶ 天びんの準備ができています。

#### 4.5.5 機能チェックの実行

機能チェックを実施するには、天びんに付属の校正キットを使用してください。



詳細については、リファレンスマニュアル (RM) を参照してください。

▶ [www.mt.com/XPR26PC-RM](http://www.mt.com/XPR26PC-RM)

#### 4.5.6 天びんをスタンバイモードに設定する

⏻を長押しすると、天びんをスタンバイモードに設定することができます。⏻を再度長押しして、スタンバイモードを終了します。

#### 4.5.7 天びんのスイッチを切る

天びんを完全に切るには、電源から切り離す必要があります。⏻を長押しすると、天びんはスタンバイモードになります。



## 備考

天びんの電源を完全にオフにして、しばらく期間が経過したときは、使用できるようになる前にウォーミングアップをする必要があります。

以下も参照してください

📖 天びんのスイッチを入れる ▶ 15 ページ

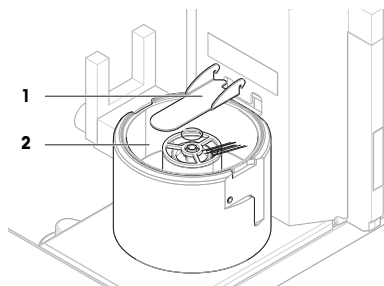
## 4.6 ピペティングサイクルの実行

ピペットを校正するには、蒸留水を使用する必要があります。液体の容量は、重量法による試験によってチェックされます。

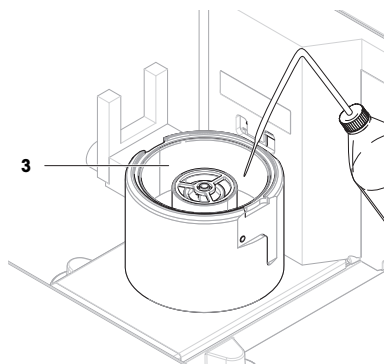
### 4.6.1 モイスチャートラップ容器の充填

モイスチャートラップには、水が充填された容器が含まれています。モイスチャートラップを閉じると、空気が飽和状態になるまで内部の湿度が上昇します。これにより、ピペティング容器内の液体の蒸発を防ぎ、正確な計量結果を保証します。

- 1 モイスチャートラップドア (1) を取り外します。
- 2 モイスチャートラップカバー (2) を慎重に取り外します。



- 3 モイスチャートラップ容器 (3) に蒸留水を満たします。
  - ➡ モイスチャートラップの容器が少なくとも半分以上充填されていること (最大 70 ml)。
- 4 天びんを元通りに組み立てます。
  - ➡ モイスチャートラップドア (1) が閉じます。
- 5 モイスチャートラップ内の空気が飽和状態に達するまで、少なくとも**120 分**待ちます。



### 4.6.2 天びんのゼロ点設定

- ➔ **0** ◀ を押して天びんをゼロ点に戻します。
- ➡ 天びんがゼロ点に設定されます。

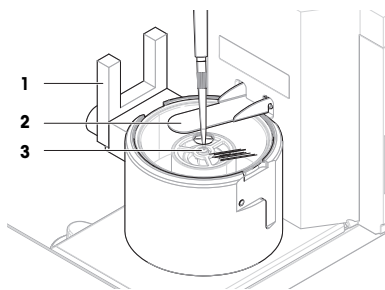
### 4.6.3 天びんの風袋引き

次の測定の前に、天びんの風袋引きを行う必要があります。

- ➔ **T** ◀ を押すと天びんの風袋引きが実施されます。
- ➡ 天びんが風袋引きされます。アイコン<sub>Net</sub>が表示されます。

#### 4.6.4 ピペッティングサイクルの実行

- 校正するピペットが準備され、目標容量に設定されます。
- 1 ピペットを使用して、蒸留水の目標容量を吸引します。
- 2 ライトバリア (1) を作動させるか、**↓**を押します。
  - ➔ モイスチャートラップドア (2) が開きます。
- 3 ピペッティング容器 (3) に液体を分注します。
- 4 ライトバリア (1) を作動させるか、**↓**を押します。
  - ➔ モイスチャートラップドア (2) が閉じます。
  - ➔ 計量結果が表示されます。
- 5 計量結果のレポートが必要なときは、**+** **プロトコル**に追加をタップします。
  - ➔ 計量値が**プロトコル**にリスト表示されます。



#### 4.6.5 計量の完了

- 1 **プロトコル**を保存するには、**■完了**をタップします。
  - ➔ ウィンドウタスクを**完了**が開きます。
- 2 **プロトコル**を保存するか印刷するオプションを選択します。
  - ➔ 各ダイアログが開きます。
- 3 ウィザードの指示に従います。
- 4 **✓完了**をタップします。
  - ➔ **プロトコル**は保存/印刷され、消去されます。

#### 4.6.6 ピペッティング容器を空にします。

オーバーフローを防ぐために、ピペット容器を定期的に空にしてください。

以下も参照してください

- ピペッティング容器を空にします。▶21 ページ
- オーバーフロー後の清掃▶24 ページ

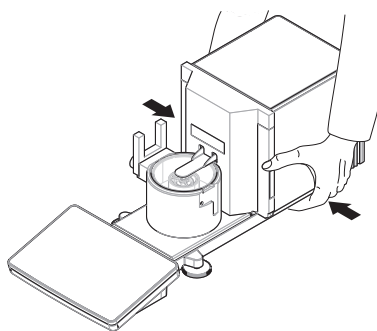
### 4.7 輸送、梱包、保管

#### 4.7.1 近距離での天びんの運搬

- 1 AC/DCを切り離し、インターフェースケーブルをすべて抜きます。
- 2 両手で計量プラットフォームを持ち、天びんを水平にして運びます。使用可能な場所を考慮してください。

天びんを使用するには、次の手順を実行します:

- 1 逆の順序で接続します。
- 2 天びんがウォームアップするまで十分な時間待ちます。
- 3 天びんの水平調整を実行します。
- 4 内部分銅調整を実施します。



#### 以下も参照してください

- 📖 据付場所の選択 ▶ 9 ページ
- 📖 天びんのスイッチを入れる ▶ 15 ページ
- 📖 天びんの水平調整 ▶ 16 ページ
- 📖 内部分銅による調整の実行 ▶ 16 ページ

#### 4.7.2 天びんの長距離での運搬

メトラー・トレド 天びんや天びんの構成部品の長距離輸送または発送の際には、オリジナルの梱包材を使用することを推奨します。オリジナルの梱包材は、天びんとその構成部品に合わせて特別に開発されたものであり、輸送中に最善の保護を提供します。

#### 以下も参照してください

- 📖 天びんの開梱 ▶ 9 ページ

#### 4.7.3 梱包および保管

##### 天びんの梱包

全部の梱包材を安全な場所に保管してください。オリジナルの梱包材は、天びんとその構成部品に合わせて特別に開発されたものであり、輸送または保管に最善の保護を提供します。

##### 天びんの保管

天びんは、必ず以下の条件下で保管してください：

- 室内で純正の梱包箱を使用
- 環境条件を遵守。「技術データ」をご参照ください。

#### 📖 備考

保管期間が6か月を超えると、充電式バッテリーの充電が必要になっている可能性があります（日付、時刻のみリセットされます）。

#### 以下も参照してください

- 📖 技術データ ▶ 24 ページ

## 5 メンテナンス

天びんの機能と計量結果の正確さを保証するには、ユーザーがメンテナンスを実行する必要があります。



詳細については、リファレンスマニュアル (RM) を参照してください。

▶ [www.mt.com/XPR26PC-RM](http://www.mt.com/XPR26PC-RM)

## 5.1 メンテナンスタスク

メンテナンスアクション	推奨される間隔	備考
内部分銅調整の実行	<ul style="list-style-type: none"> <li>毎日</li> <li>クリーニング後</li> <li>水平調整後</li> <li>場所の変更後</li> </ul>	"内部分銅による調整の実行"を参照してください
日常点検の実施 (偏置誤差テスト、繰り返し性テスト、感度テスト) メトラー・トレド少なくとも感度テストの実施を推奨します。	<ul style="list-style-type: none"> <li>クリーニング後</li> <li>天びんの組立て後</li> <li>ソフトウェアアップデート後</li> <li>社内規定 (SOP) に従って行う</li> </ul>	参照マニュアルの"テスト"を参照してください
容器を空にする	<ul style="list-style-type: none"> <li>機器の使用頻度によって異なります。</li> <li>社内規定 (SOP) に従って行う</li> </ul>	"容器を空にする"を参照
清掃	<ul style="list-style-type: none"> <li>毎回の使用後</li> <li>汚染等級によります</li> <li>社内規定 (SOP) に従って行う</li> </ul>	"クリーニング"を参照
ソフトウェアのアップデート	<ul style="list-style-type: none"> <li>社内規定 (SOP) に従って行う。</li> <li>新しいソフトウェアのリリース後。</li> </ul>	参照マニュアルの"ソフトウェア更新"を参照してください

以下も参照してください

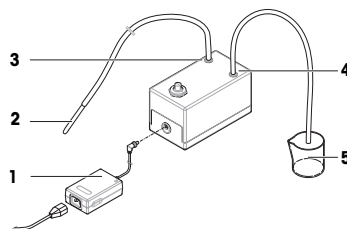
- 内部分銅による調整の実行 ▶ 16 ページ
- 清掃 ▶ 22 ページ
- 容器を空にする ▶ 20 ページ

## 5.2 容器を空にする

### 5.2.1 ポンプの組み立て

通常の使用では、ピペット容器とモイスチャートラップ容器には水が充填されています。ポンプには、機器を分解せずに、安全かつ効率的な方法で水を除去する機能があります。インレットチューブには、取り扱いを容易にするためにプロブが装着されています。アウトレットチューブは、吸引された液体を処分する役割を果たします。

- ケーブルは、破損しないように、また作業の妨げにならないように設置します。
- AC/DC アダプタのプラグ (1) を電源ソケットに差し込みます。
- 刻み付きナットを固く締めて、プラグを固定します。
- 電源ケーブルのプラグを、手の届きやすい場所にある接地付き電源コンセントに挿入します。
- プロブ (2) のついたポンプチューブをノズル IN (3) に接続します。



- 6 他方のポンプチューブをノズルOUT (4) に接続します。
- 7 チューブの自由な端を廃液に適した容器に入れます (5)。

### 5.2.2 ピペッティング容器を空にします。

オーバーフローを防ぐために、ピペッティング容器は定期的に空にする必要があります。



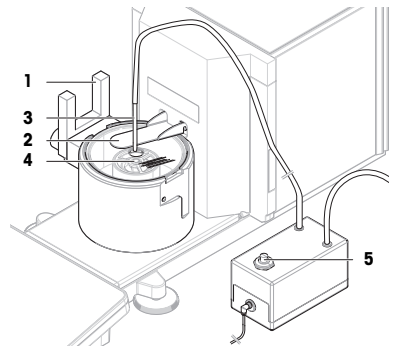
#### 通知

##### 不適切な取り扱いによるポンプの損傷

使用していないときにポンプをオンにすると、損傷する可能性があります。

- 使用していないときは、ポンプのスイッチを切ります。

- ポンプは組み立てられています。
  - アウトレットポンプチューブは、廃液に適した容器に入れます。
- 1 ライトバリア (1) を作動させるか、↑を押します。  
⇒ モイスチャートラップドア (2) が開きます。
  - 2 ポンププローブ (3) をピペッティング容器 (4) に挿入します。
  - 3 ポンプ (5) をオンにします。  
⇒ 液体はポンプで排出され、廃液として容器に収集されます。
  - 4 ポンプ (5) をOFF にします。
  - 5 天びんを元通りに組み立てます。  
⇒ 天びんは使用されるための準備が整っています。



以下も参照してください

- 📖 ポンプの組み立て ▶ 20 ページ

### 5.2.3 モイスチャートラップの容器を空にする



#### 通知

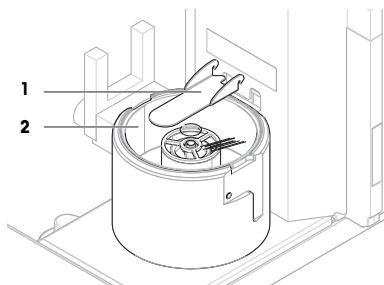
##### 不適切な取り扱いによるポンプの損傷

使用していないときにポンプをオンにすると、損傷する可能性があります。

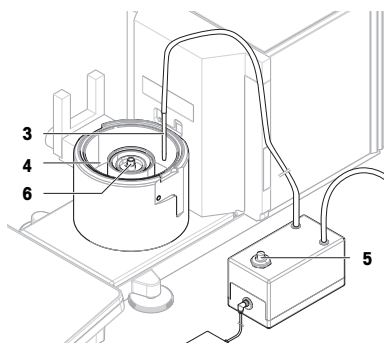
- 使用していないときは、ポンプのスイッチを切ります。

- ポンプは組み立てられています。
- アウトレットポンプチューブは、廃液に適した容器に入れます。

- 1 モイスチャートラップドア (1) を取り外します。
- 2 モイスチャートラップカバー (2) を慎重に取り外します。



- 3 ポンプローブ (3) をモイスチャートラップ容器 (4) に挿入します。
- 4 ポンプ (5) をオンにします。
  - ➔ 液体はポンプで排出され、廃液として容器に収集されます。
- 5 必要に応じて、ポンプを使用してピペッティング容器 (6) を空にします。[ピペッティング容器を空にします。▶21 ページ]を参照してください。
- 6 ポンプ (5) をOFF にします。
- 7 または、モイスチャートラップ容器 (4) を取り外して空にします。
- 8 天びんを元通りに組み立てます。



以下も参照してください

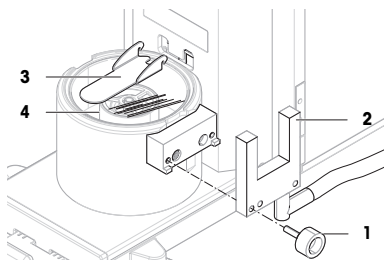
- ポンプの組み立て ▶20 ページ

## 5.3 清掃

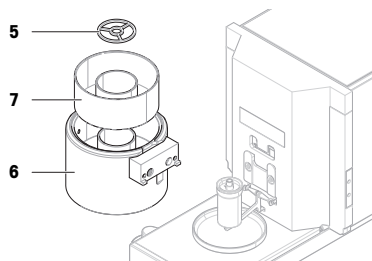
### 5.3.1 清掃のために分解

- 容器が空です。[容器を空にする ▶20 ページ]を参照してください。
- 天びんのスイッチを切ります。[天びんのスイッチを切る ▶16 ページ]を参照してください。

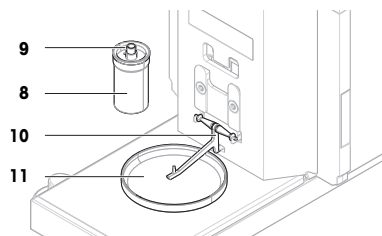
- 1 固定ネジ (1) を取り外し、ライトバリア (2) を脇に置きます。
- 2 モイスチャートラップドア (3) を取り外します。
- 3 モイスチャートラップカバー (4) を慎重に取り外します。



- 4 センタリングリング (5) を取り外します。
- 5 モイスチャートラップ容器 (7) とピペットベース (6) を慎重に持ち上げて取り外します。



- 6 ピペッティング容器 (8) を取り外し、ピペッティングチューブ (9) を保持しているカバーを緩めて外します。
- 7 ピペッティング容器サポート (10) を慎重に取り外します。
- 8 ドリフトレー (11) を取り出します。



### 5.3.2 天びんの清掃



#### 通知

##### 不適切な洗浄方法による機器の損傷

液体がハウジングに入った場合、機器に損傷を与える恐れがあります。ある種の洗浄剤、溶剤、研磨剤によって、機器の表面が損傷することがあります。

- 1 機器に液体をかけたり、噴霧したりしないでください。
- 2 ガイド「8 Steps to a Clean Balance」または機器のリファレンスマニュアル (RM) で指定されている洗浄剤のみを使用してください。
- 3 機器の清掃には、少し湿らせたリントフリーの布またはティッシュのみを使用してください。
- 4 こぼした場合は、すぐに拭き取ってください。



天びんの清掃に関する詳細については、「8 Steps to a Clean Balance」を参照してください。

▶ [www.mt.com/lab-cleaning-guide](http://www.mt.com/lab-cleaning-guide)

#### 天びん周辺の清掃

- 天びんのまわりから土やほこり取り除き、汚染を予防します。

#### ターミナルの清掃

- 糸くずの出ない布またはティッシュと中性洗浄剤でターミナルをクリーニングします。

#### 取り外し可能な部品のクリーニング

- 糸くずの出ない布またはティッシュと中性洗剤で取り外し可能な部分をクリーニングします。

#### 計量ユニットのクリーニング

- 1 AC/DCアダプターから天びんを切断します。

- 2 中性洗剤で湿らせたリントフリーの布を使用して、天びんの表面をクリーニングします。
- 3 最初に使い捨てティッシュで粉体やほこりを拭き取ります。
- 4 糸くずの出ない湿った布と、水で希釈した溶剤（例えば、70%のイソプロパノールまたはエタノール）を使用して、粘性の高い物質を除去します。

### 5.3.3 オーバーフロー後の清掃

例えば、ピペッティング容器の過充填などでオーバーフローが発生した場合、過剰の液体は直ちに拭き取る必要があります。

- 1 ポンプを使用して、モイスチャートラップの容器を空にします。[モイスチャートラップの容器を空にする ▶ 21 ページ]を参照してください。
- 2 ポンプを使用して、ピペッティング容器を空にします。[ピペッティング容器を空にします。▶ 21 ページ]を参照してください。
- 3 残りのアイテムを分解し、糸くずの出ない布またはティッシュで清掃します。[清掃のために分解 ▶ 22 ページ]を参照してください。
- 4 天びんを元通りに組み立てます。

以下も参照してください

- ポンプの組み立て ▶ 20 ページ

### 5.3.4 清掃後における機器の準備

- 1 天びんを元通りに組み立てます。
  - 2 ターミナルが天びんに接続されているか確認します。
  - 3 AC/DCアダプターに天びんを再接続します。
  - 4 水平調整の状態を確認し、必要であれば天びんの水平調整を行います。
  - 5 「技術データ」に指定されたウォームアップに従ってください。
  - 6 内部分銅調整を実施します。
  - 7 社内規定に従って日常点検を実施します。メトラー・トレドは、天びんの清掃後に感度テストの実施を推奨しています。
  - 8 →0←を押して天びんをゼロ点に戻します。
- ➡ 天びんは使用されるための準備が整っています。

以下も参照してください

- 内部分銅による調整の実行 ▶ 16 ページ

## 6 技術データ

### 6.1 一般データ

#### 電源

AC/DC アダプタ (モデル番号 FSPO60-DHAN3):	入力: 100 – 240 V AC ± 10%, 50 – 60 Hz, 1.8 A 出力: 12 V DC, 5 A, LPS, SELV
AC/DC アダプタ (モデル番号 FSPO60-DHAN2):	入力: 100 – 240 V AC ± 10%, 50 – 60 Hz, 1.5 A 出力: 12 V DC, 5 A, LPS, SELV
AC/DCアダプタ用ケーブル:	3 線式、該当国仕様のプラグ付き
天びん消費電力:	12 V DC ± 10%, 2.25 A



極性： 

## 保護および規準

過電圧カテゴリー： II  
汚染等級： 2  
安全規格およびEMC規格： 適合宣言を参照してください。  
使用範囲： 乾燥した室内でのみ、使用してください

## 環境条件

天びんは次の環境条件下で使用されるとき、限界値が適用されます：

平均海拔より高い場合： 最大 5000 m  
周囲温度： +10 - +30 °C  
最大温度変化： 5 °C/h  
相対湿度： 30 - 70%、結露がない場合  
順化時間： 機器を使用する場所と同じ場所に設置した後、**8時間**以上。  
ウォーミングアップ時間： 天びんに電源投入後少なくとも**120分**。スタンバイモードで天びんにスイッチを入れた場合は直ちに使用可能。

天びんは次の環境条件下で使用できます。ただし、天びんの計量性能は、限界値外になる場合があります。

周囲温度： +5 - +40 °C  
相対湿度： 31 °Cにおいて20%~80%、40 °Cにおいて50%まで直線的に減少、結露なきこと

天びんは次の環境条件下で梱包の切り離しおよび保管ができます：

周囲温度： -25 - +70 °C  
相対湿度： 10 - 90%、結露がない場合

## 7 廃棄

電気・電子機器廃棄物(WEEE)に関する欧州指令2012/19/EUに従い、この機器は生活廃棄物に含めて処分することはできません。これはEU以外の国々に対しても適用されますので、各国の該当する法律に従ってください。



本製品は、各地域の条例に定められた電気・電子機器のリサイクル回収所に廃棄してください。ご不明な点がある場合は、行政の担当部署または購入店へお問い合わせください。この機器が第三者に譲渡される場合、この規制の内容も説明される必要があります。





# GWP®

Good Weighing Practice™

---

GWP® is the global weighing standard, ensuring consistent accuracy of weighing processes, applicable to all equipment from any manufacturer. It helps to:

- Choose the appropriate balance or scale
- Calibrate and operate your weighing equipment with security
- Comply with quality and compliance standards in laboratory and manufacturing

 [www.mt.com/GWP](http://www.mt.com/GWP)

[www.mt.com/pipcal](http://www.mt.com/pipcal)

For more information

**Mettler-Toledo GmbH**

Im Langacher 44  
8606 Greifensee, Switzerland  
[www.mt.com/contact](http://www.mt.com/contact)

Subject to technical changes.  
© Mettler-Toledo GmbH 05/2021  
30491808A en, de, es, fr, zh, ja



30491808